

MAGELiS™ XBT-P Operator Terminals

MAGELiS XBT-P features also include:

- 2 line by 20 character display
- high visibility fluorescent or cost-effective LCD technology
- multiple keypad versions available with incremental thumbwheel or numeric data entry and with 8 or 12 function keys
- LEDs on function keys to guide and prompt operator
- customizable front panel design
- FLASH-EEPROM capability for remote loading of application programs and protocols
- approximately 400 application pages
- 256 possible alarm pages
- optional alarm logging and printout
- terminal simulation tool in software for verifying application programs with PC prior to PLC/terminal installation
- 3 optional message languages and 5 system languages resident for international users
- UL listed, CSA certified and with CE marking
- conformance to European Health and Safety Directive (89/655/EEC)
- worldwide availability and fast delivery



Superior Price Performance for Modular and Micro-PLC Applications

The MAGELiS XBT-P operator terminal can be used for a large variety of applications. Control systems can be point-to-point or for multidrop PLC configurations.

XBT-P terminals connect directly to a PLC system. Downloadable protocols allow you to communicate to a wide variety of PLCs.

Along with optimum access to data, the XBT-P offers maximum control. With eight to twelve programmable function keys capable of performing a variety of functions you can increase operator control of a particular process. Data entry errors are reduced by minimum and maximum entry limits. An optional historical event feature enables you to retrieve alarms in the order recorded for terminal viewing or printing.

Whether your application is electronic assembly equipment, conveyor systems, textile or pharmaceutical production machinery, MAGELiS XBT-P terminals are ideal for both stand alone applications and in large, distributed control environments.

Specifications

Environment

Temperature	
Operating	32°F to 122°F (0°C to 50°C)
Storage	-40°F to 158°F (-40°C to 70°C)
Vacuum Fluorescent Type LCD Type	-4°F to 140°F (-20°C to 60°C)
Degree of Protection	
	UL Type 4, NEMA Type 4 and IP 65 conforming to UL 508 and IEC 529
Electromagnetic Disturbance	
	Conforming to IEC 1132-2/EN 61131-2

Mechanical Specifications

Mounting	Flush-mounted, by 4 or 6 pressure-type fasteners (supplied) on .04 to .24 in (1 to 6 mm) thick panel
Enclosure	Polyphenylene oxide 10% glass fiber impregnated (PPO GFN1 SE1)
Front Panel	Hardened polyester anti-UV treated (Autoflex EB AG)
Weight	1.32 lbs. (0.600 kg)

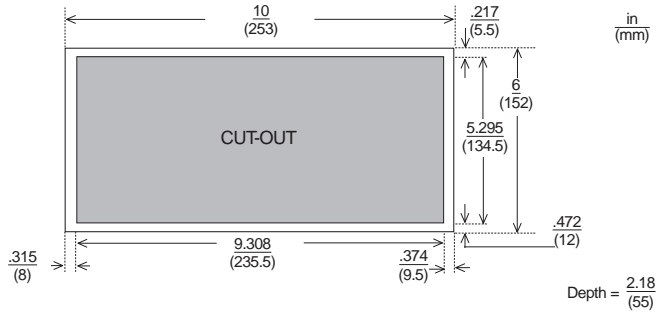
Electrical Specifications

Display	
Vacuum Fluorescent Type	Green matrix (5x7 pixels per character) 2 lines of 20 characters, 20 in (5 mm) in height
LCD Type	Backlit (5x7 pixels per character) 2 lines of 20 characters .35 in (9 mm) in height
Power Supply	
Voltage	24 VDC
Voltage Limits	18-30 V
Ripple	25% maximum
Consumption	10 W

Operating Characteristics


Signaling LEDs	
Communication	1
Key Actuation	1
Function Keys	8 or 12
Service Keys	7
Memory	
Flash EEPROM	256 kb
Application Pages	400 approximately
Alarm Pages	256
Transmission Medium	Asynchronous serial link RS232/RS485/RS422
Real-Time Clock	Access to programmable controller real-time clock
Printer Port	Asynchronous serial link RS232
Power Supply Connection	3-pin plug-in terminal block
Data Connection	
Serial Port	SUB-D 25-pin female connector
Printer Port	SUB-D 9-pin male connector
Configuration Software	Windows™- compatible program XBT-L100_U (sold separately)
Downloadable Protocols	Popular communication protocols available (sold separately)

Dimensions



Product Selection

Terminals with alphanumeric screen XBT-P							
Funct	Number of keys		With printer link	# of lines # of characters	Type of display	Power supply --- V	Part #
	Serv	Num					
8	9	0	no	2 x 20	Fluorescent	24	XBT-P012010
12	10	12	no	2 x 20	Fluorescent	24	XBT-P022010
12	10	12	yes	2 x 20	Fluorescent	24	XBT-P022110
8	9	0	no	2 x 20	LCD Backlit	24	XBT-P011010
12	10	12	no	2 x 20	LCD Backlit	24	XBT-P021010
12	10	12	yes	2 x 20	LCD Backlit	24	XBT-P021110

Square D and  are registered trademarks of Square D Company.

MAGELIS is a trademark of Schneider Electric, S.A.

Windows is a registered trademark of Microsoft Corporation.

Bulletin No. 9001HO9602R1/99



SQUARE D
Schneider Electric

©1999 Square D Company. All rights reserved.