



Main

Range of product	Magelis XBTGTW
Product or component type	Advanced open touchscreen panel
Display type	Backlit colour TFT LCD
Display colour	262144 colours
Display resolution	800 x 600 pixels SVGA
Display size	12.1 inch
Software type	Configuration software
Software designation	Vijeo Designer
Operating system	Windows XPe SP2
Processor name	Intel Celeron M
Processor frequency	1000 MHz
Memory description	Back up of data SRAM 512 kB lithium battery Application memory Compact Flash 2 GB
Integrated connection type	RAS port female SUB-D 9 Power supply removable screw terminal block COM1 serial link male SUB-D 9 RS232C Audio output mini-jack 2 Ethernet TCP/IP RJ45 4 USB type A master port (V2.0) 1 USB (V2.0) port on front panel
Resistance to electro-static discharge	6 kV IEC 61000-4-2 level 3
Cut-out dimensions	301.5 (+ 1/- 0) x 227.5 (+ 1/- 0) mm

Complementary

Touch sensitive zone	1024 x 1024
Touch panel	Analogue
Backlight lifespan	50000 hours
Brightness	4 levels via touch panel
Character font	ASCII (European characters) Chinese (simplified Chinese) Japanese (ANK, Kanji) Korean Taiwanese (traditional Chinese)
[Us] rated supply voltage	24 V DC
Supply	External source
Supply voltage limits	21.6...26.4 V
Inrush current	<= 30 A
Power consumption	40 W
Local signalling	1 LED (green) for switched on (ON) 1 LED (green) for accessing CF system card (DISK)
Number of pages	Limited by internal memory capacity
Downloadable protocols	Uni-TE Telemecanique Modicon Third party protocols Siemens Simatic Third party protocols Rockwell Automation Allen-Bradley Third party protocols Omron Sysmac Third party protocols Mitsubishi Melsec Modbus Telemecanique Modicon Modbus TCP Telemecanique Modicon Modbus Plus Telemecanique Modicon FIPWAY Telemecanique Modicon
Realtime clock	Built-in

The information provided in this documentation contains general descriptions and/or technical characteristics of the performance of the products contained herein. This documentation is not intended as a substitute for and is not to be used for determining suitability or reliability of these products for specific user applications. It is the duty of any such user or integrator to perform the appropriate and complete risk analysis, evaluation and testing of the products with respect to the relevant specific application or use thereof. Neither Schneider Electric Industries SAS nor any of its affiliates or subsidiaries shall be responsible or liable for misuse of the information contained herein.

Memory type	1 slot for type II PCMCIA card 1 slot for Compact Flash card (128 MB to 1 GB)
Port Ethernet	10BASE-T/100BASE-TX 10BASE-T/100BASE-TX/1 GB
Product mounting	Flush mounting
Fixing mode	By 8 screw clamps
Front material	Aluminium alloy
Enclosure material	Aluminium alloy
Marking	CE
Width	313 mm
Height	239 mm
Depth	60 mm
Product weight	3.8 kg

Environment

Immunity to microbreaks	<= 5 ms
Standards	EN 61131-2 FCC Class A IEC 61000-6-2 UL 508
Product certifications	CULus
Ambient air temperature for operation	0...50 °C
Ambient air temperature for storage	-20...60 °C
Relative humidity	10...85 % without condensation
Operating altitude	< 3000 m
IP degree of protection	IP65 (front panel) conforming to IEC 60529 IP20 (rear panel) conforming to IEC 60529
NEMA degree of protection	NEMA 4X front panel (indoor use)
Shock resistance	15 gn for 11 ms conforming to IEC 60068-2-27
Vibration resistance	3.5 mm conforming to IEC 60068-2-6 (f = 5...9 Hz) 1 gn conforming to IEC 60068-2-6 (f = 9...150 Hz)
Resistance to electromagnetic fields	10 V/m conforming to IEC 61000-4-3
Resistance to fast transients	2 kV conforming to IEC 61000-4-4 level 3

Offer Sustainability

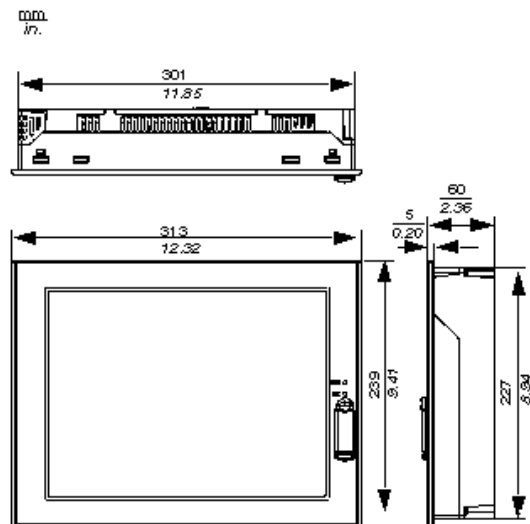
Sustainable offer status	Not Green Premium product
RoHS	Compliant - since 0935 - Schneider Electric declaration of conformity
Product environmental profile	Available

Contractual warranty

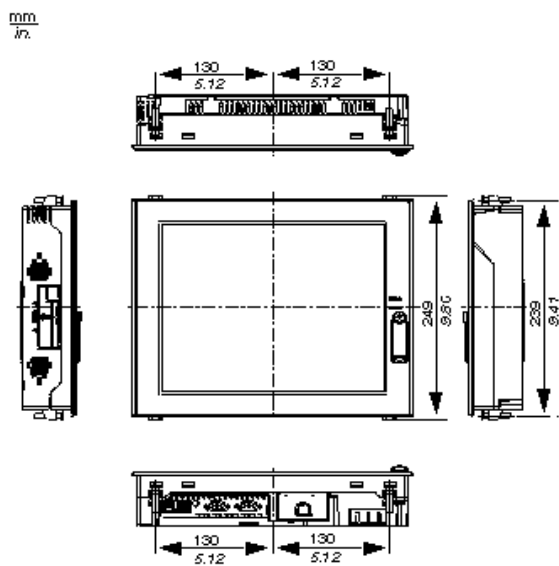
Period	18 months
--------	-----------

Dimensions

without Installation Fasteners



with Installation Fasteners



Panel Cut-out

