

# XBTGT5230

advanced touchscreen panel - 640 x 480 pixels  
VGA - 10.4" - STN LCD - 24 V DC

XBTGT5230 has not been replaced. Please contact your customer care center for more information.



ⓘ Discontinued

## Main

|                                       |  |
|---------------------------------------|--|
| Range of product                      | Magelis XBTGT  |
| Product or component type             | Advanced touchscreen panel                               |
| Display type                          | Backlit colour STN LCD                                   |
| Display colour                        | 4096 colours   |
| Display resolution                    | 640 x 480 pixels VGA                                     |
| Display size                          | 10.4 inch  |
| Software type                         | Configuration software                                   |
| Software designation                  | Vijeo Designer   |
| Operating system                      | Magelis  |
| Processor name                        | CPU RISC   |
| Processor frequency                   | 266 MHz  |
| Memory description                    | 512 kB SRAM back up of data with lithium battery back-up |
| Resistance to electrostatic discharge | 6 kV conforming to IEC 61000-4-2 level 3                 |
| Cut-out dimensions                    | 301.5 (+ 1/- 0) x 227.5 (+ 1/- 0) mm                     |

## Complementary

|                           |   |
|---------------------------|---|
| Touch sensitive zone      | 1024 x 1024   |
| Touch panel               | Analogue  |
| Backlight lifespan        | 54000 hours   |
| Brightness                | 8 levels via touch panel  |
| Contrast                  | 8 levels via touch panel  |
| Character font            | ASCII (European characters)<br>Chinese (simplified Chinese)<br>Japanese (ANK, Kanji)<br>Korean<br>Taiwanese (traditional Chinese) |
| [Us] rated supply voltage | 24 V DC   |
| Supply                    | External source   |
| Supply voltage limits     | 19.2...28.8 V   |
| Inrush current            | <= 30 A   |
| Power consumption in W    | 26 W  |
| Local signalling          | 1 LED with green or orange for normal operation or backlighting faulty  |
| Number of pages           | Limited by internal memory capacity   |

|                        |  |
|------------------------|--|
| Downloadable protocols | FIPWAY Telemecanique Modicon<br>Modbus Plus Telemecanique Modicon<br>Modbus TCP Telemecanique Modicon<br>Modbus Telemecanique Modicon<br>Third party protocols Mitsubishi Melsec<br>Third party protocols Omron Sysmac<br>Third party protocols Rockwell Automation Allen-Bradley<br>Third party protocols Siemens Simatic<br>Uni-TE Telemecanique Modicon |
| Realtime clock         | Built-in   |
| Use of slot            | For 1 fieldbus communication card (Device Net, Profibus DP)  |
| Port Ethernet          | 10BASE-T/100BASE-TX  |
| Product mounting       | Flush mounting   |
| Fixing mode            | By 4 screw clamps<br>By 4 spring clips   |
| Front material         | Aluminium alloy  |
| Enclosure material     | PPT  |
| Marking                | CE   |
| Width                  | 12.32 in (313 mm)  |
| Height                 | 9.41 in (239 mm)   |
| Depth                  | 2.2 in (56 mm)   |
| Product weight         | 6.61 lb(US) (3 kg)   |

## Environment

|                                       |   |
|---------------------------------------|---|
| Immunity to microbreaks               | <= 10 ms  |
| Standards                             | EN 61131-2<br>FCC Class A<br>IEC 61000-6-2<br>UL 1604<br>UL 508<br>CSA C22.2 No 14  |
| Product certifications                | ATEX zone 2/22<br>CSA Class 1 Division 2 T4A<br>CSA Class 1 Division 2 T5<br>C-Tick<br>cULus<br>UL Class 1 Division 2 T4A<br>UL Class 1 Division 2 T5 |
| Ambient air temperature for operation | 32...122 °F (0...50 °C)   |
| Ambient air temperature for storage   | -4...140 °F (-20...60 °C)   |
| Relative humidity                     | 10...90 % without condensation  |
| Operating altitude                    | < 6561.68 ft (2000 m)   |
| IP degree of protection               | IP20 (rear panel) conforming to IEC 60529<br>IP65 (front panel) conforming to IEC 60529   |
| NEMA degree of protection             | NEMA 4X front panel (indoor use)  |
| Shock resistance                      | 15 gn 11 ms conforming to IEC 60068-2-27  |
| Resistance to electromagnetic fields  | 9.14 V/yd (10 V/m) conforming to IEC 61000-4-3  |
| Resistance to fast transients         | 2 kV conforming to IEC 61000-4-4 level 3  |

## Ordering and shipping details

|                       |                                    |
|-----------------------|------------------------------------|
| Category              | 22569 - MAGELIS XBT-GT (AND XBT-G) |
| Discount Schedule     | MC2                                |
| GTIN                  | 00785901558712                     |
| Nbr. of units in pkg. | 1                                  |
| Package weight(Lbs)   | 8.820000000000003                  |
| Returnability         | N                                  |
| Country of origin     | CN                                 |

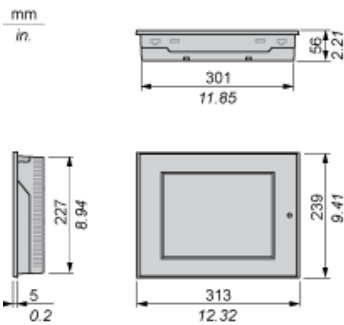
## Contractual warranty

---

|                 |           |
|-----------------|-----------|
| Warranty period | 18 months |
|-----------------|-----------|

---

Dimensions



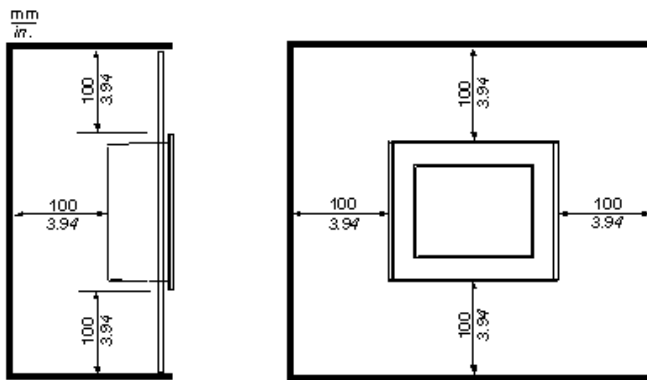
---

Clearance

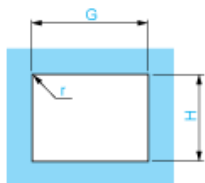
---

Installation Requirements

For easier maintenance, operation and improved ventilation, be sure to install the unit at least 100 mm (3.94 in) away from adjacent structures and other equipment.



Panel Cut-out Dimensions



Dimensions in mm

| Graphic Display Terminal                                      | Cut-out for Flush Mounting |                |        |                 |
|---|----------------------------|----------------|--------|-----------------|
|   | H (-/+ 0.1 mm)             | G (-/+ 0.1 mm) | r      | Panel Thickness |
| XBTGT1105<br>XBTGT1135<br>XBTGT1335                           | 92.5                       | 118            | 3 max. | 1.6 ... 5       |
| XBTGT2110<br>XBTGT2120<br>XBTGT2130<br>XBTGT2220<br>XBTGT2330 | 123.5                      | 156            | 3 max. | 1.6 ... 5       |
| XBTGT4230<br>XBTGT4330<br>XBTGT4340                           | 159.5                      | 204.5          | 3 max. | 1.6 ... 10      |
| XBTGT5230<br>XBTGT6330<br>XBTGT6340                           | 227.5                      | 301.5          | 3 max. | 1.6 ... 10      |
| XBTGT5330<br>XBTGT5340  | 201                        | 259            | 3 max. | 1.6 ... 10      |
| XBTGT7340   | 282.5                      | 383.5          | 3 max. | 1.6 ... 10      |

Dimensions in in.

| Graphic Display Terminal                                      | Cut-out for Flush Mounting |                  |           |                 |
|---|----------------------------|------------------|-----------|-----------------|
|   | H (-/+0.004 in.)           | G (-/+0.004 in.) | r         | Panel Thickness |
| XBTGT1105<br>XBTGT1135<br>XBTGT1335                           | 3.64                       | 4.65             | 0.12 max. | 0.06 ... 0.20   |
| XBTGT2110<br>XBTGT2120<br>XBTGT2130<br>XBTGT2220<br>XBTGT2330 | 4.86                       | 6.14             | 0.12 max. | 0.06 ... 0.20   |
| XBTGT4230<br>XBTGT4330<br>XBTGT4340                           | 6.28                       | 8.05             | 0.12 max. | 0.06 ... 0.39   |
| XBTGT5230<br>XBTGT6330<br>XBTGT6340                           | 8.96                       | 11.87            | 0.12 max. | 0.06 ... 0.39   |

| Graphic Display Terminal | Cut-out for Flush Mounting |                  |           |                 |
|--------------------------|----------------------------|------------------|-----------|-----------------|
|                          | H (-/+0.004 in.)           | G (-/+0.004 in.) | r         | Panel Thickness |
| XBTGT5330<br>XBTGT5340   | 7.91                       | 10.20            | 0.12 max. | 0.06 ... 0.39   |
| XBTGT7340                | 11.12                      | 15.10            | 0.12 max. | 0.06 ... 0.39   |