



Main

Range of product	Magelis HMIGTW
Product or component type	Advanced open touchscreen panel
Terminal type	Touchscreen display
Processor name	Atom Z510 1.1 GHz with cache memory
Chipset type	Intel US15W 400 MHz
Data storage equipment	Compact Flash card >= 2 GB with SLC technology
Display size	15 inch
Display type	Active matrix colour TFT LCD with LED backlight
Display resolution	1024 x 768 pixels XGA
Display colour	16 million colours
Supply	External source

Complementary

Number of slots available for expansion	1 slot(s) Compact Flash card 1 slot(s) SD card
Luminance	41.81 fc (450 cd/m ²)
View angle horizontal x vertical	160 x 120°
Touch panel	Analogue resistive
Memory type	512 kB SRAM 1 GB RAM DDR2
Video controller type	Intel Graphics Media Accelerator (GMA) 500, 256 MB
Integrated connection type	Male SUB-D 9 connector COM1 serial link with RS232C interface at 115 kbauds 2 RJ45 connector Ethernet TCP/IP, 10BASE-T/100BASE-T/1000BASE-T 2 USB 2.0 type A at 480 Mbit/s on top
Operating system	Windows Embedded Standard WES2009 - English Windows Embedded Standard WES2009 - French Windows Embedded Standard WES2009 - German Windows Embedded Standard WES2009 - Italian Windows Embedded Standard WES2009 - Spanish Windows Embedded Standard WES2009 - Swedish Windows Embedded Standard WES2009 - Chinese Windows Embedded Standard WES2009 - Portuguese Windows Embedded Standard WES2009 - Russian
Software package	Adobe PDF reader Internet Explorer Vijeo Citect web client .NET Framework 3.5 Viewer Word/Excel/Power Point Vijeo Designer run time unlimited
[Us] rated supply voltage	24 V DC (power supply)
Supply voltage limits	18...30 V
Line Rated Current	1.875 A
Inrush current	3 A
Power consumption in W	36 W
Front material	Stainless steel 304
Surface finish	Scotch-Brite® finished
Enclosure material	Treated steel
Display material	Polyethylene sheet
Fixing mode	By fixing kit on enclosure door (fasteners included) By fixing kit on panel (fasteners included)
Control type	Push-button reset ON/OFF push-button equipment ON and OFF
Local signalling	Multi-colour LED power Yellow LED for accessing CF system card (DISK)

The information provided in this documentation contains general descriptions and/or technical characteristics of the performance of the products contained herein. This documentation is not intended as a substitute for and is not to be used for determining suitability or reliability of these products for specific user applications. It is the duty of any such user or integrator to perform the appropriate and complete risk analysis, evaluation and testing of the products with respect to the relevant specific application or use thereof. Neither Schneider Electric Industries SAS nor any of its affiliates or subsidiaries shall be responsible or liable for misuse of the information contained herein.

Width	15.83 in (402 mm)
Height	11.85 in (301 mm)
Depth	2.83 in (72 mm)

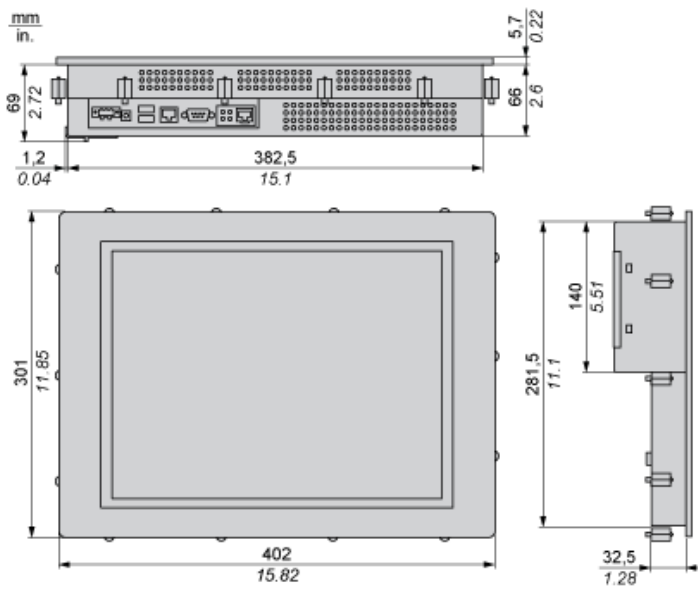
Environment

IP degree of protection	IP65 (front panel) conforming to EN/IEC 61131-2
product certifications	CE C-Tick GOST CULus 508 CULus CSA 22-2 No 142 CULus HazLoc Class I Division 2 UL 1604 CULus HazLoc Class I Division 2 ANSI/ISA 12-12-01 CULus HazLoc Class I Division 2 CSA 22-2 No 213 REACH RoHS ATEX II 3 Gas & Dust zone 2/22
standards	UL 508 EN 1672-2 for food processing machinery FDA 21 CFR 177.2006 for flat seals EN 61131-2 FCC Class A IEC 61000-6-2
pollution degree	2 conforming to EN/IEC 61131-2
electromagnetic compatibility	Immunity to electromagnetic emissions conforming to EN 55011 class A Immunity to electromagnetic emissions conforming to EN 55022 class A Immunity to high frequency interference conforming to EN/IEC 61131-2 Immunity to high frequency interference conforming to EN/IEC 61000-4-x
ambient air temperature for operation	32...122 °F (0...50 °C) vertical installation conforming to EN/IEC 61131-2 32...122 °F (0...50 °C) vertical installation conforming to UL 508
ambient air temperature for storage	-4...140 °F (-20...60 °C) conforming to IEC 60068-2-14 test Na -4...140 °F (-20...60 °C) conforming to IEC 60068-2-2 test Bb
relative humidity	10...85 % conforming to EN/IEC 60068-2-78 10...85 % conforming to EN/IEC 60068-2-30 Db
operating altitude	6561.68 ft (2000 m) conforming to EN/IEC 61131-2
vibration resistance	1.75 mm (f = 2...9 Hz) continuous conforming to EN/IEC 60068-2-6 Fc 3.5 mm (f = 2...9 Hz) intermittently conforming to EN/IEC 60068-2-6 Fc 0.5 gn (f = 9...200 Hz) continuous conforming to EN/IEC 60068-2-6 Fc 1 gn (f = 9...200 Hz) intermittently conforming to EN/IEC 60068-2-6 Fc 1 mm (f = 3...13.2 Hz) continuous conforming to EN/IEC 60068-2-6 Fc 0.7 gn (f = 13.2...100 Hz) continuous conforming to EN/IEC 60068-2-6 Fc
shock resistance	15 gn 11 ms conforming to IEC 60068-2-27, Ea tests

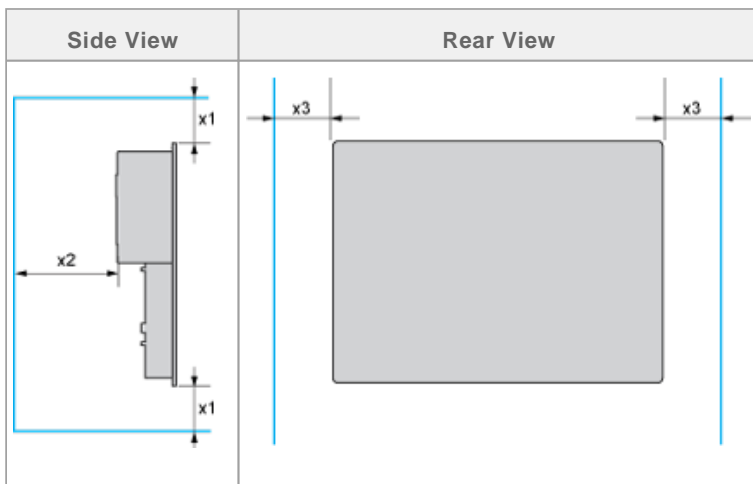
Offer Sustainability

Not Green Premium product	Not Green Premium product
Compliant - since 1426 - Schneider Electric declaration of conformity	Compliant - since 1426 - Schneider Electric declaration of conformity
Reference not containing SVHC above the threshold	Reference not containing SVHC above the threshold

Dimensions



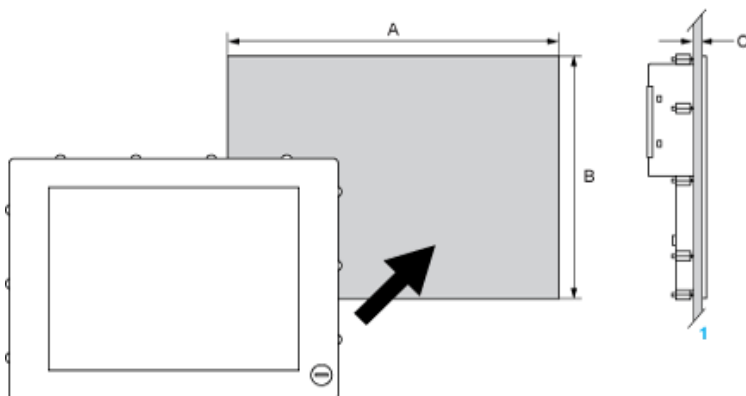
Spacing Requirements



Mounting Orientation



Panel Cut Dimensions



1 : Installation panel

A	B	C
383.5 + 1/- 0 mm (15.10 + 0.04/- 0 in.)	282.5 + 1/- 0 mm (11.12 + 0.04/- 0 in.)	1.6...10 mm (0.06...0.39 in.)