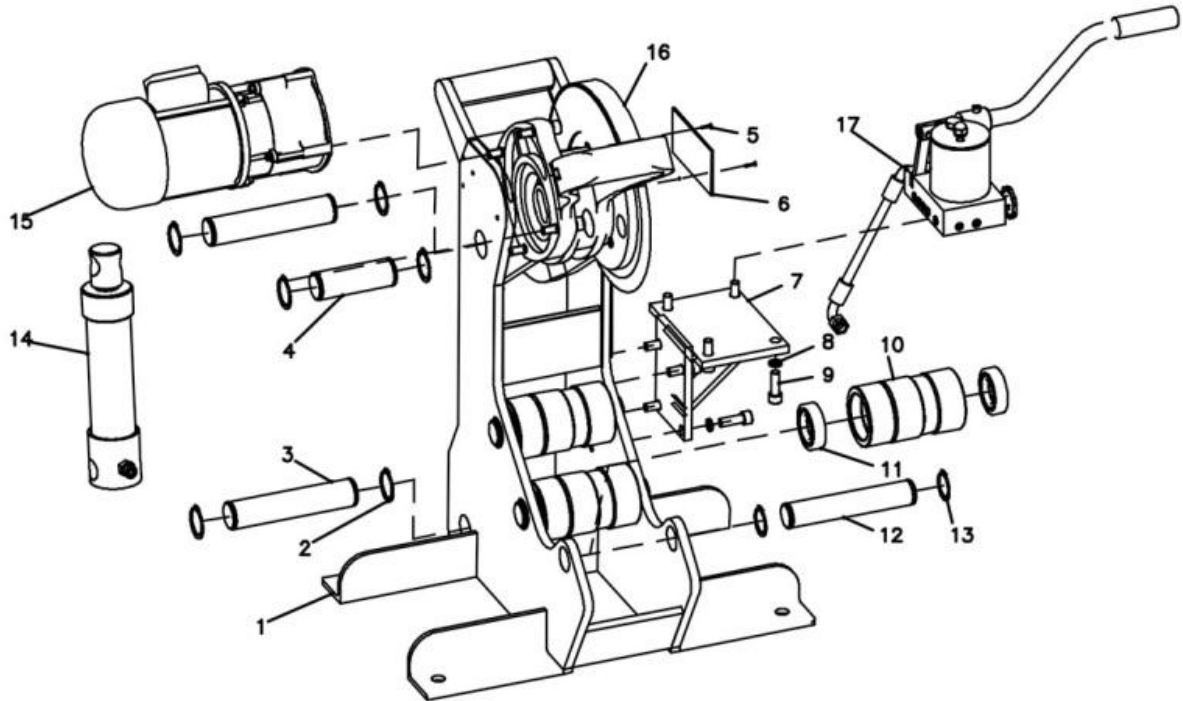


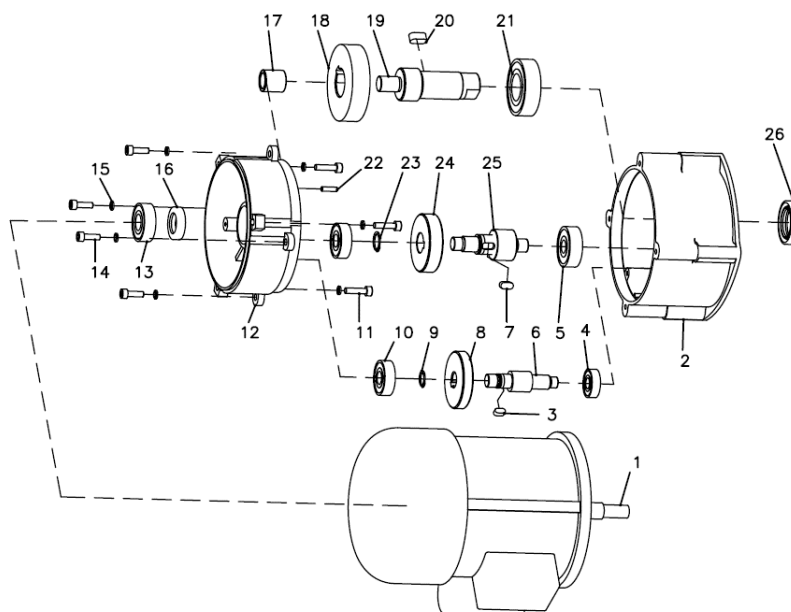
QG8C-A 切管机中英文爆炸图 (QG8C-A Pipe Cutter Spare Part List)

机架部件 (109) -75100 Machine Body Complete



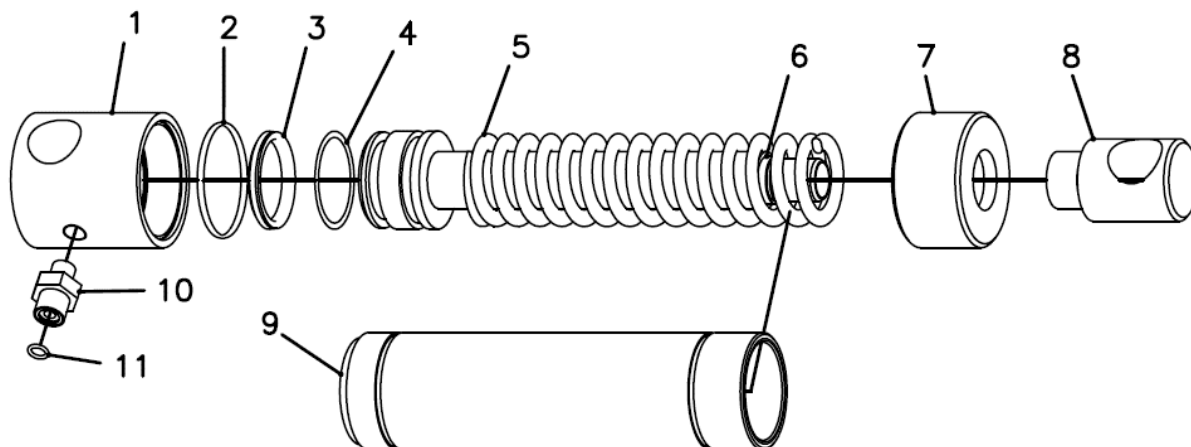
S/N	Ref. No.	品名	Description
1	40103001	机架	Frame
2	50108032	轴用挡圈 28 (6)	Retaining ring
3	42002036	支轴 I d=28 (2)	Shaft
4	42002034	支轴	Shaft
5	50104003	标牌铆钉 BL22×10 (2)	Rivet
6	40801005	切管机铭牌	Nameplate
7	40903001	泵座	Pump rest
8	50107019	垫圈 8 (8)	Gasket
9	50103034	螺钉 M8×25 (8)	Screw M8x25 (8)
10	41503029	滚轮 (3)	Roller
11	50401014	轴承 6005-2RZ (6)	Bearing
12	42002035	长滚轮轴 d=25 (3)	Roller pin
13	50108031	轴用挡圈 25 (6)	Retaining ring
14	10902001	油缸总成	Cylinder complete
15	10503002	减速机总成 (齿轮箱电机总成)	Gear box complete with motor
16	10806003	割刀臂总成	Cutter arm complete
17	10901005	手动泵总成-208	Manual pump complete

减速机部件 (307) -65300 Mortor & Gearbox Complete



S/N	Ref. No.	品名	Description
1		电机	Motor
2	40302045	变速箱体	Gear housing
3	50106004	平键 5×5×10	Key5×5×10
4	50401001	轴承 6000	Bearing
5	50401005	轴承 6301	Bearing
6	40205065	I 级齿轴	1st gear shaft
7	50106013	平键 6×6×12	Key 6×6×12
8	40202043	高速齿轮	Hi-speed gear
9	50108023	A 型轴用挡圈 d=13	Retaining ring
10	50401004	轴承 6201 (2)	Bearing
11	50103007	内六角圆柱头螺钉 M5*20 (3)	Screw M5*20
12	40302044	电机前端盖	Motor front cover
13	50401008	轴承 6202-2RZ	Bearing
14	50103005	内六角圆柱头螺钉 M5*16 (4)	Screw M5*16
15	50107017	弹性垫片 d=5 (7)	Spacer
16	50803015	唇型密封圈 B15×30×7	Seal
17	50401060	自润滑镶嵌轴承	Bearing
18	40202042	低速齿轮	L-speed gear
19	40206033	输出轴	Output shaft
20	50106018	平键 8×7×16	Key 8×7×16
21	50401015	轴承 6205-RZ	Bearing
22	50105005	弹性圆柱销 φ4×15 (2)	Pin φ4*15
23	50108027	A 型轴用挡圈 d=18	Retaining ring
24	40202044	中速齿轮	M-speed gear shaft
25	40205066	II 级齿轴	2nd gear shaft
26	50803002	唇型密封圈 B25×40×7	Seal

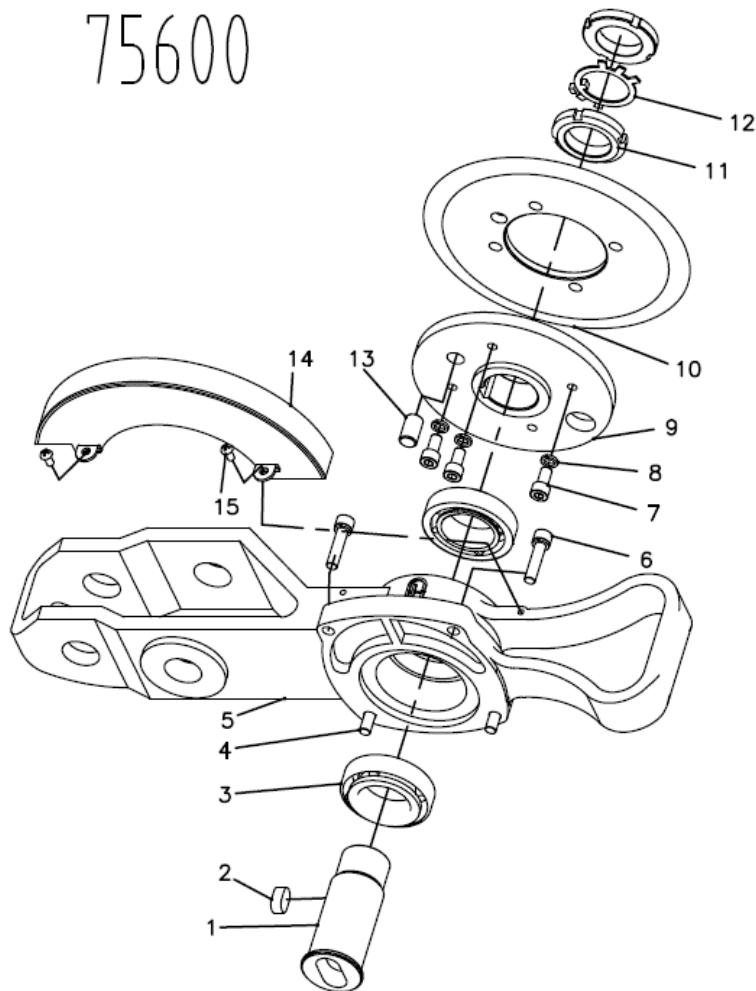
油缸部件 (407) -75400 Oil Cylinder Complete



S/N	Ref. No.	品名	Description
1	40903002	底座	Cylinder base
2	50801033	O 型密封圈 56×3.55	O ring 56*3.55
3	50802012	孔用 Y 型密封圈 D50	Y ring D50
4	50801043	O 型密封圈 50×43.7×1.5	O ring 50*43.7*1.5
5	50702025	压缩弹簧	Compression spring
6	42002037	活塞杆	Piston rod
7	41901029	钢盖	Steel cover
8	41801053	液压顶头	Connector
9	41705072	缸体	Cylinder
10	40401069	油管接头	Hose connector
11	50801003	O 型密封圈 7.5×18	O ring

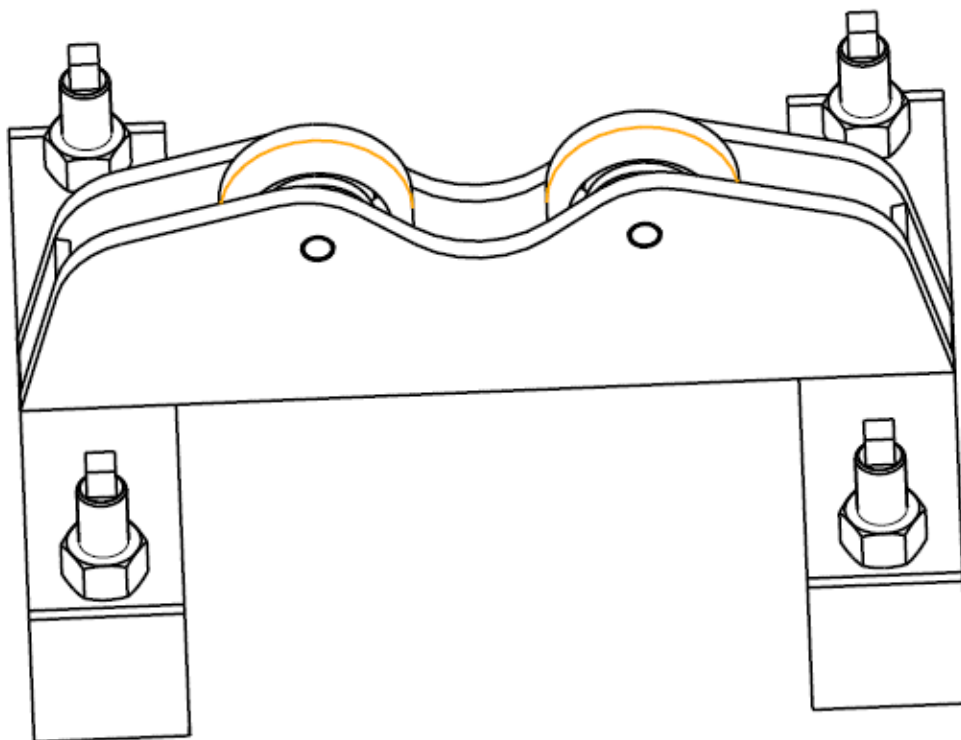
割刀臂部件 (603) -75600 Pipe Cutter Pivot Arm Complete

75600



S/N	Ref. No.	品名	Description
1	42002048	割刀轴	Drive shaft
2	50106025	平键 12×8×20	Key 12x8x20
3	50401041	圆锥滚子轴承	Needle bearing
4	50103042	螺钉 M8×70	Screw M8x70
5	40601011	割刀臂	Pivot arm
6	50103036	螺钉 M8×35 (3)	Screw M8x35 (3)
7	50103031	螺钉 M8×16 (4)	Screw M8x16 (4)
8	50107019	垫圈 D8 (8)	Spacer
9	41801054	割刀座	Wheel hub
10	40601012	割刀片	Cutting wheel
11	50102025	圆螺母 M36×1.5 (2)	Locking nut
12	50107025	止动垫圈 36	Gasket
13	50105024	圆柱销 13×22	Pinφ13*22
14	40103004	罩壳	Wheel guard
15	50103070	十字槽盘头螺钉 M5×10 (2)	Screw M5x10 (2)

管支架部件（657）-75500 Pipe Support Complete



S/N	Ref. No.	品名	Description
1	11003001	支架体(厂内型号 657)	Pipe support