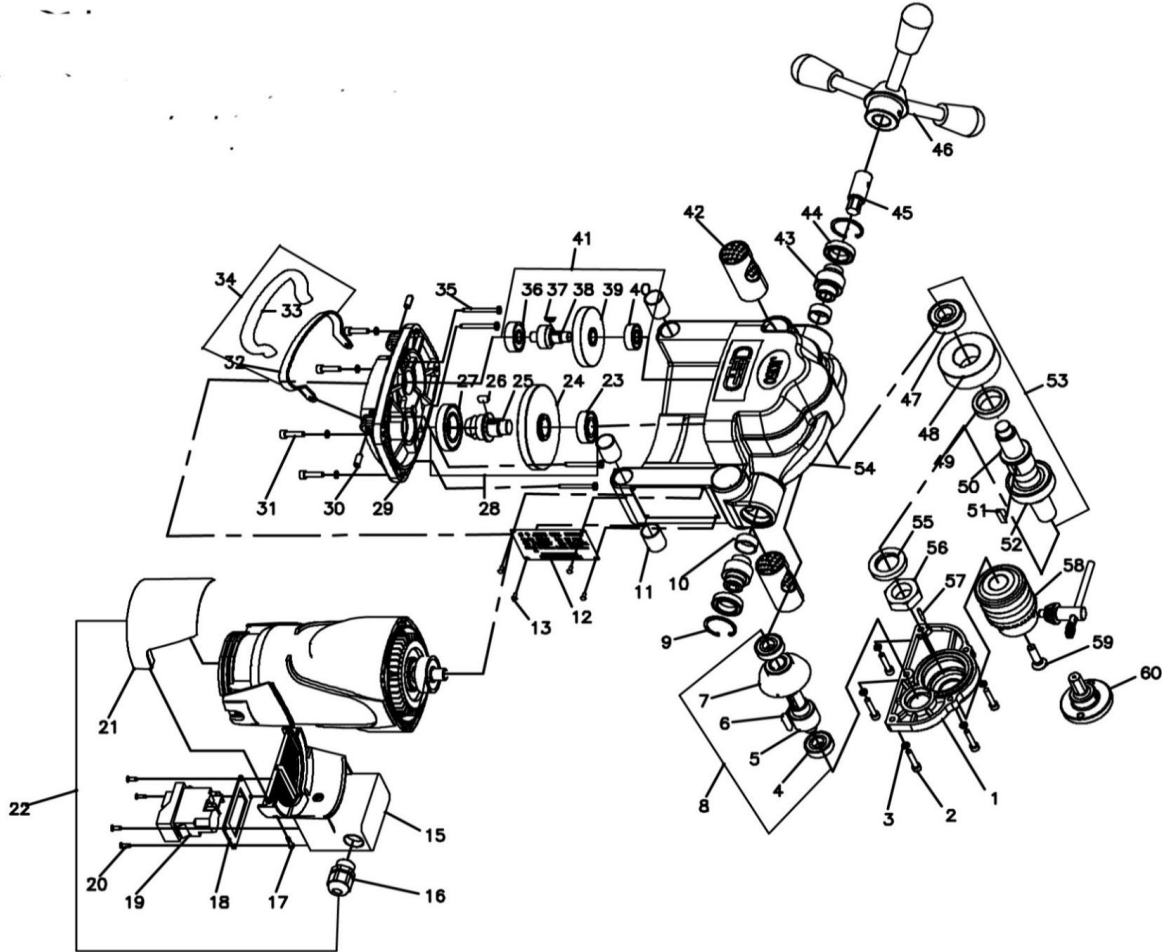


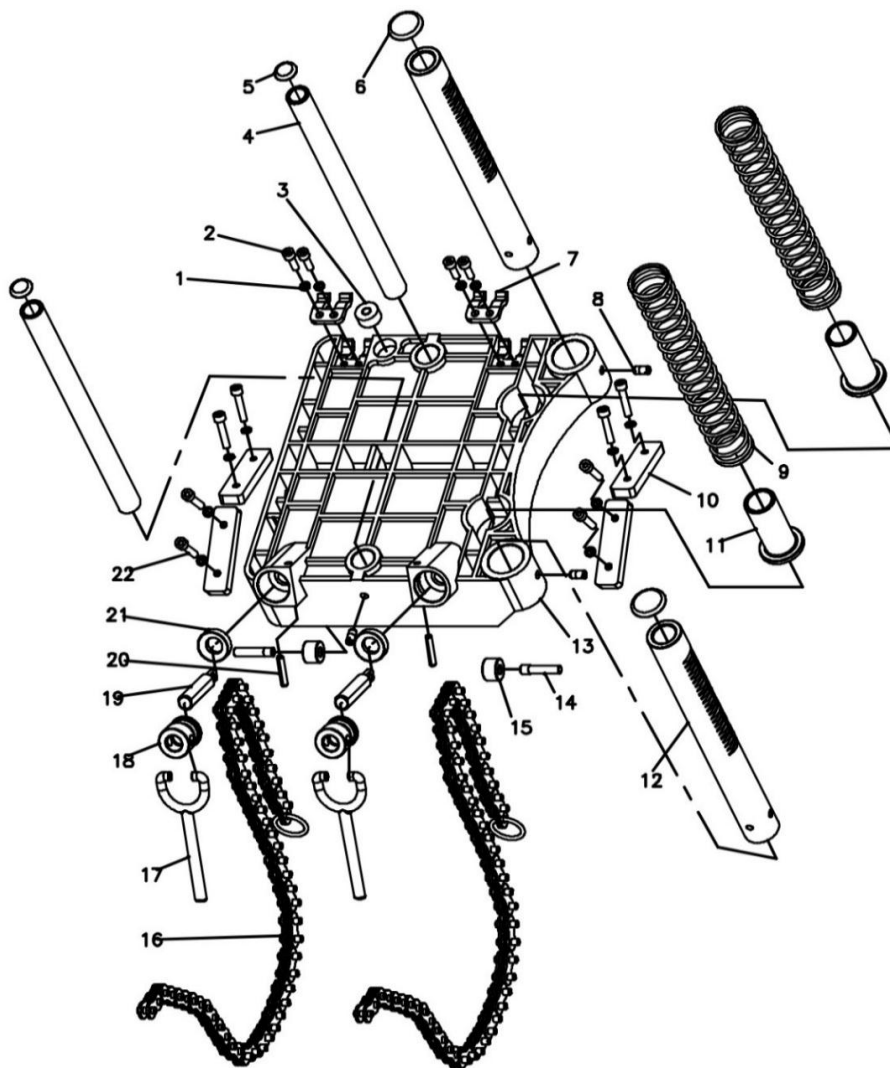
JK150 电动开孔机 中英文爆炸图 (JK150 Hole Cutting Machine Spare Parts List)

变速箱部件 (85300) Mortor & Gearbox Complete



S/N	New Ref. No	品名	Description	S/N	new Ref. No	品名	Description
1	40302035	变速箱盖	Gearbox cover	31	50103007	内六角圆柱头螺钉M5X20 (4)	Screw M5X20 (4)
2	50103008	内六角圆柱头螺钉M5X25 (5)	Screw M5*25 (5)	32	41403011	支架	Stand
3	50107017	标准型弹簧垫圈d=5 (9)	Elastic washer d=5 (9)	33	41705079	提手柄	Samll handle
4	50401003	带密封圈深沟球轴承6001-ZRZ(2)	Bearing 6001-ZRZ(2)	34	30104016	提手总成	Samll handle assembly
5	40205062	大伞齿轮轴	Bevel gear shaft	35	50103131	十字槽盘头自攻锁紧螺钉M4X40(4)	Screw M4X40 (4)
6	40203042	大伞齿轮	Bevel gear	36	50401002	深沟球轴承6200	Bearing 6200
7	50106008	A型普通平键5X22	A type key 5X22	37	50106028	半圆键2.5X3.7X10	Eclipse Key 2.5X3.7X10
8	50108007	A型孔用挡圈D32 (2)	A type spacer D32 (2)	38	40205061	1级传动齿轴	1st Gear shaft
9	50401062	甲醛复合材料轴套 (2)	Shaft sleeve (2)	39	40202037	高速齿轮	High speed gear
10	50401061	甲醛复合材料轴套 (4)	Shaft sleeve (4)	40	50401001	深沟球轴承6000	Bearing 6000
11	40801003	铭牌	Name plate	41	30102046	1级齿轴总成	High speed gear assembly
12	50104004	半圆头铆钉3X6(4)	Rivet 3X6(4)	42	50401089	复合轴承28X32X65 (2)	Bearing 28X32X65 (2)
13	40302039	后罩下端	Rear housing bottom base	43	40201029	进刀齿轮 (2)	Feeding gear (2)
14	30403048	M18X1.5拉不脱	Grommet M18X1.5	44	50401011	深沟球轴承61804 (2)	Bearing 61804 (2)
15	50103095	十字槽盘头自攻锁紧螺钉M3X12(2)	Screw M3X12(2)	45	30104015	手柄轴总成	Handle assembly
16	41604005	开关面板	Switch plate	46	30104013	手柄	Handle
17	30402062	电磁开关	electromagnetism switch	47	50401008	深沟球轴承6202	Bearing 6202
18	50103129	十字槽盘头自攻锁紧螺钉M3X8(4)	Screw M3X8(4)	48	40202039	输出齿轮	output gear
19	40302040	后罩上端	Rear housing top base	49	41502056	衬套	Bushing
20	30401046	电机总成220V	Motor 220V	50	40206031	输出轴	output shaft
21	30401047	电机总成110V	Motor 110V	51	50106034	半圆键5X7.5X19	Key 5X7.5X19
22	50401007	深沟球轴承6002	Bearing 6002	52	50401014	深沟球轴承6005-Z	Bearing 6005-Z
23	40202038	中速齿轮	Middle speed gear	53	30102049	输出轴总成	output shaft assembly
24	40205063	小伞齿轴	Bevel gear shaft	54	40302037	变速箱体	Gearbox housing
25	50106004	A普通平键5X10	A type key 5X10	55	50803002	旋转轴唇形密封圈B25X40X7	Seal ring B25X40X7
26	50401055	深沟球轴承6005ZZ	Bearing 6005ZZ	56	50102026	细牙六角薄螺母M24X2	Nut M24X2
27	30102047	2级齿轴总成	2ed gear shaft complete	57	50105002	A型圆柱销3X18	Pin 3X18
28	40302036	电机端盖	Motor cover	58	30108042	钻夹头	Drill chuck
29		重型直槽弹性圆柱销6X15 (2)	Pin 6X15 (2)	59	50103134	内六角花形沉头螺钉M8*30	Screw M8*30
30				60	42002033	孔距心轴 (外销型)	Hole saw center shaft

支撑座部件 (85100) Support Seat Complete



S/N	New Ref. No.	品名	Description
1	50107017	标准弹性垫圈M5(12)	Ring M5(12)
2	50103005	内六角圆柱头螺钉M5X16 (4)	Screw M5X16 (4)
3	30112014	水平仪	Level vial
4	41901026	小导柱盖 (2)	Small Guide rod cap(2)
5	41705067	小导柱 (2)	Small Guide rod (2)
6	41901027	大导柱盖 (2)	Guide rod cap(2)
7	41005001	衬垫 (2)	Liner (2)
8	50105013	螺纹圆柱销6X12 (4)	Pin 6X12 (4)
9	50702026	正弦块压簧 (2)	Spring (2)
10	40501019	支撑板 (4)	Support plate (4)
11	41502054	压簧座 (2)	Spring base (2)
12	41705068	大导柱 (2)	Guide rod (2)
13	40105002	底座	Base
14	42002031	漆槽轴 (2)	Roller pin (2)
15	41502053	滚轮 (2)	Roller (2)
16	30101005	链条总成(2)	Chain assembly (2)
17	40905002	手柄 (2)	Handle (2)
18	40401068	夹紧螺母 (2)	Clamp nut (2)
19	41702025	夹紧螺杆 (2)	Clamp rod (2)
20	50105036	重型直槽弹性圆柱销6X25 (2)	Pin 6X25 (2)
21	41502052	防磨环 (2)	Friction ring (2)
22	50103008	内六角圆柱头螺钉M5X25 (8)	Screw M5X25 (8)