



# Pipe and Installation Tools

*Chapter 5*

# Wall Chaser



**HL-3580**

### Product Description

- For installation of electric wires, pipes into the wall.
- 5-10 times quicker comparing to normal wall slot cutting tool.
- High-precision driving parts guarantee steady performance in rough applications.
- Cutting speed can reach up to 2 meters/minute with red brick wall and 1 meter/minute in brick wall with cement covered.

### Specifications

- **Motor:** Universal 1450W, 230-240V\_50Hz/110V\_60Hz
- **No-load speed:** 1800RPM
- **Grooving width:** A(15-25mm) B(25-40MM)
- **Maximum grooving depth:** A(25mm) B(35MM)
- **Package size:** 45×42×32CM/2pcs
- **Packing model:** BMC
- **Certification:** GS / ROHS / CE / EMC certified

### Ordering Information

Catalog No.	Model No.	Description	N.W(kg)
3511010	HL3580	Wall chaser, 110V / 60Hz	13
3511011	HL3580	Wall chaser, 220V / 50Hz	13
3511310		A blade	0.128
3511310		B blade	0.29



A blade  
(single teeth)



B blade  
(double teeth)

### Features

- Suitable for air brick, red brick and cement-covered walls.
- Cutting speed: In a minute, 4 meters in air brick, 2 meters in red brick, 1 meter in brick walls covered with cement.
- **Cutting width and depth:** 25MM blade, 15-25mm; 35MM blade, 25-40mm.
- Cutting blade can be sharpened more than 40 times. **Estimated life expectancy:**
- **Standard hollow sand brick:** 6000 meters **Solid brick:** 3500 meters **Cement-covered brick:** 3000 meters **Cement sand brick:** 3500 meters **White brick:** 5000 meters
- High efficiency 10 times quick than normal slot cutting tools 1X(by our wall chaser)=10X(by marble saw + hammer drill) Accurate cutting. (straight or curve line)
- Designed with quick dust extraction system

# Wall Chaser

**HL-1002**

### Specifications

- Motor: Universal 3500W, 220-240V(AC) /50Hz
- No-load speed: 8500RPM
- Grooving width: 2.5-40mm(there are totally 8 pcs of blades, if worked with 1 pc of blade, it is 2.5mm, if 8 pcs, it could be 40mm)
- Grooving depth: 20-40mm adjustable
- Diamond disk size:115mm × Ø22 × 2mm
- 1002 standard includes water cooling part.
- Packing model: BMC

### Features

- Suitable for air brick, red brick and cement-covered walls, focus-on reinforced concrete walls.
- **Cutting tool:** diamond disk.
- The 1002 wall chaser features an infrared light for precise working.
- The cutting part is located in the middle of the body of 1001, while 1002 at the head. This structure will enable 1002 to cut slots even at the corner of the wall, which 1001 cannot cut.

### Ordering Information

Catalog No.	Model No.	Description	N.W(kg)
3511110	HL1002	Wall chaser, 220V/50Hz	14
3511310		diamond disk(8pcs)	0.1



Spare diamond disk





## Wall Chaser

**HL-1003**

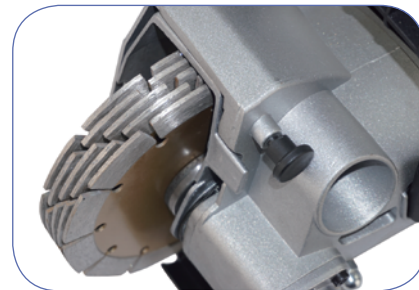


### Specifications

- **Motor:** Universal 4800W, 220V-50-60Hz
- **Rated Speed:** 5000r/min
- **Grooving Width:** 3.0-40mm
- **Grooving Depth:** 20-40mm
- **Diamond Blade Size:** 156mm\* Ø22.2\* 2.5mm)
- **Gross weight:** 12.5kg
- **Packing Model:** BMC, 56\*30\*28cm /set
- GS / ROHS /CE /EMC certified

### Features

- The wall chaser 1003 can work with 1pc to 7pcs of diamond cutting blades. One set of the machine is standard with 5 pcs of diamond blades. Grooving is adjustable and flexible.
- The wall chaser is suitable for both dry and wet grooving! The machine comes with water pump.
- The 1003 wall chaser works all brick, stone marble, concrete walls.
- Newly designed multifunctional wall chaser for your stable wall grooving!



### Ordering Information

Catalog No.	Model No.	Description	N.W(kg)
3511210	HL1003	Wall chaser, 220V / 50Hz	15
3511310		diamond disk(5pcs)	0.24





# Hand Test Pump

**RP50S**



## Product Description

- Reliable and precise measurement results : the double valve system of the RP50S allows the self-test of the pump as well as a precise fine adjustment of pressure.
- Robust precision testing pump for pressure testing of water lines and containers up to 60bar with very high testing standards.
- Pressure testing with water or oil of piping in residential and industrial construction, as well as for industrial containers. Expansion possible with an extra fine scaling pressure gauge (0.1bar)for testing up to 16 bars.
- A drag indicators displays the preset pressure so that a loss of pressure in the system can be detected easier.
- Especially precise reading as needed: finely scaled (scaling 0.1bar) pressure gauge available separately.
- Testing hose with steel mesh prevents reading mistakes, that can happen when the hose expands during operation.



## Specifications

- **Testing range:** 0-60bar( 860psi, 6Mpa )
- **Tank capacity:** 12L
- **Volume/stroke:** ≈45ml
- **Connections:** 1/2" BSPP
- **Valve material:** Aluminum
- **Tank material:** steel
- Hollow handle
- **Accessories:** pressure hose, pressure gauge, seal set

## Ordering Information

Catalog No.	Description	N.W(kg)
3011310	RP50S pressure test pump	7

# Hand Test Pump

**RP50**



### Product Description

- For quick and exact compression testing.
- For testing of leaks in installations, especially for use in heating, compressed air, refrigeration systems, oil installations, sprinkler systems and other small bore pipe applications.

### Specifications

- **Model:** RP50
- **Testing range:** 0-60bar( 860psi, 6Mpa )
- **Tank capacity:** 12L
- **Volume/stroke:** ≈45ml
- **Connections:** 1/2" BSPP
- **Valve material:** Aluminum
- **Tank material:** steel
- **Hollow handle**
- **Accessories:** pressure hose, pressure gauge, seal set

**HSY30-5**



### Specifications

- **Model:** HSY30-5
- **Testing range:** 0-60bar( 860psi, 6Mpa )
- **Tank capacity:** 12L
- **Flow:** ≈45ml / stroke
- **Connections:** 1/2" BSPP
- **Valve material:** brass
- **Tank material:** steel
- **Solid handle**
- **Accessories:** pressure hose, pressure gauge, seal set

**HSY30-5S**



### Specifications

- **Model:** HSY30-5S
- **Testing range:** 0-60bar( 860psi, 6Mpa )
- **Tank capacity:** 12L
- **Flow:** ≈45ml / stroke
- **Connections:** 1/2" BSPP
- **Valve material:** brass
- **Tank material:** stainless steel
- **Solid handle**
- **Accessories:** pressure hose, pressure gauge, seal set

### Ordering Information

Catalog No.	Description	N.W(kg)
3011210	RP50 pressure test pump	8
3011010	HSY30-5 pressure test pump	7
3011110	HSY30-5S pressure test pump	7

# Electric Test Pump

**DSY60**



**DSY60A**



Operation display



Packaging and accessories

## Product Description

- Suitable for water or hydraulic oil as medium, for all kinds of pressure vessel, pipe, valves, pressure test, etc. Also used for the hydraulic energy, provide the required pressure, suitable for chemical industry, building, water, oil, coal, metallurgy, ship-building and other industries.
- With compact reasonable structure, the test pump is easy to operate, and light weight for carry.
- Convenient maintenance, DSY-series electric test pump is driven by motor, greatly improving work efficiency.

## Specifications

- **Model:** DSY60
- **Testing range:** 0-60bar( 860psi, 6Mpa )
- **Water flow:** 2.9L/min
- **Valve:** brass, single type
- **Connections:** 1/2" BSPP
- **Power:** 250W induction type
- **Accessories:** pressure hose, pressure gauge, seal set

## Specifications

- **Model:** DSY60A
- **Testing range:** 0-60bar( 860psi, 6Mpa )
- **Water flow:** 6L/min
- **Valve:** brass, single type
- **Connections:** 1/2" BSPP
- **Power:** 400W induction type
- **Accessories:** pressure hose, pressure gauge, seal set

## Ordering Information

Catalog No.	Description	N.W(kg)
3041011	DSY60 pressure test pump, 220V-50Hz	12
3041010	DSY60 pressure test pump, 110V-60Hz	
3041111	DSY60A pressure test pump, 220V-50Hz	17.5



# PIPE AND INSTALLATION TOOLS

## Pipe Stands



### Product Description

- The heavy-duty adjustable pipe stands are available in many applications with capacity from 1/8"-12" (3mm-300mm); suitable for use with threading machine, roll groovers, etc.

### V Head Pipe Stands

Catalog No.	Model No.	Description	Height Adjustment Low-High		Max. Pipe Capacity		Max. Weight Capacity		N.W
			in.	cm	in.	mm	lb.	kg	kg
3521010	1107	V Head High Pipe Stand	28-52	71-132	12	300	2500	1134	14.5
3521110	1107S	V Head Low Pipe Stand	24-40	61-102	12	300	2500	1134	11.5

### Roller Head Pipe Stand

Catalog No.	Model No.	Description	Height Adjustment Low-High		Max. Pipe Capacity		Max. Weight Capacity		N.W
			in.	cm	in.	mm	lb.	kg	kg
3521510	1109	Roller Head Pipe Stand	32-55	82-140	12	300	1000	454	15

### Ball Transfer Head

Catalog No.	Model No.	Description	Max. Pipe Capacity		Max. Weight Capacity		N.W
			in.	mm	lb.	kg	kg
3522110	A	Ball Transfer Head only	12	300	1000	454	1.5
3522110	B	Ball Transfer Head only	12	300	2000	900	2.8

# Pipe Stands - Upgraded



## Product Description

- 1107X and 1109X are the more heavy-duty adjustable pipe stands which are upgraded from 1107 and 1109. The screw-like elevator tube and thicker lock ring bring more higher Max. Loading Weight capacity for the stands to make them suitable for supporting more heavy pipes or solid bars safely.



## V Head Pipe Stands

Catalog No.	Model No.	Description	Height Adjustment Low-High		Max. Pipe Capacity		Max. Weight Capacity		N.W
			in.	cm	in.	cm	lb.	kg	kg
3521910	1107X	V Head High Pipe Stand	28-52	71-132	12	300	4000	1814	14.5

## Roller Head Pipe Stand

Catalog No.	Model No.	Description	Height Adjustment Low-High		Max. Pipe Capacity		Max. Weight Capacity		N.W
			in.	cm	in.	cm	lb.	kg	kg
3522010	1109X	Roller Head Pipe Stand	32-55	82-140	12	300	2500	1134	15

# Hinged Pipe Cutters



H2S

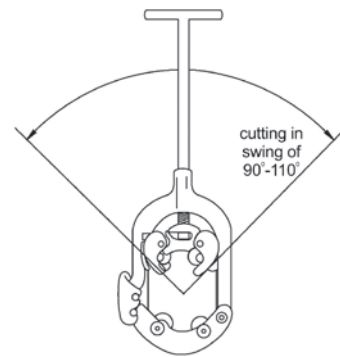
H4S

H6S

H8S

## Product Description

- Designed for rapid cutting of 1" through 8" steel pipe, heavy-wall steel pipe and cast-iron pipe.
- The cutters operate with minimal cutter rotation (90-110 degree) as necessary for tight quarters.
- During cutting operation, there is no sparks, serving jobs with such special requirements.
- Portable and light weight, easy for transportation.
- Suitable to cut steel pipe, cast iron Pipe, galvanized pipe, ductile iron pipe and black iron pipe, stainless steel pipe.



## Ordering Information

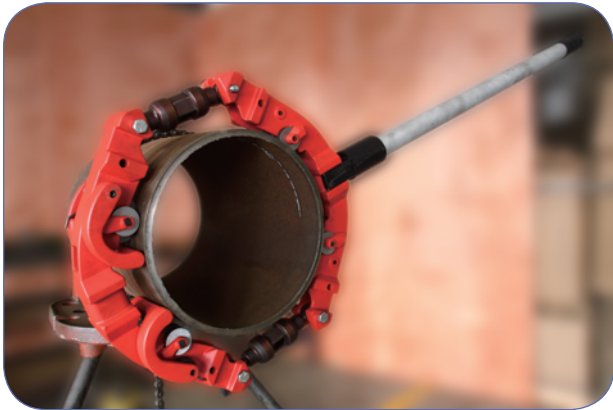
Catalog No.	Item Model	For Steel Pipe		For Cast Iron Pipe		For Stainless Steel Pipe	
		Pipe Size(inch)	Wall Thickness(mm)	Pipe Size(inch)	Wall Thickness(mm)	Pipe Size(inch)	Wall Thickness(mm)
311205	H2S	1"-2 1/2"	2.77mm-5.15mm	1"-2 1/2"	2.77mm-5.15mm	1"-2 1/2"	2.77mm-5.15mm
311201	H4S	2"-4"	2.77mm-6.02mm	2"-4"	3mm-6mm	2"-4"	3mm-6mm
311202	H6S	4"-6"	3mm-7.11mm	4"-6"	3mm-6mm	4"-6"	3mm-6mm
311203	H8S	6"-8"	3.4mm-8.18mm	6"-8"	3.4mm-6mm	6"-8"	3.4mm-6mm

## Packing Information

Catalog No.	Item Model	Package	Package Size(cm)	Gross Weight(kg)	Net Weight(kg)
311205	H2S	1pc / carton		3.5kg	3.3kg
311201	H4S	1pc / carton	60.5×23×10	7kg	6.5kg
311202	H6S	1pc / carton	75×32×11	10kg	9kg
311203	H8S	1pc / carton	85×39.5×12	12.5kg	12kg



# Pipe Cutters



## H14S Low Clearance Rotary Cutter

- The low profile design of H14S cutter needs only 5 inch (127 mm) clearance for up to 14 inch pipe diameter.
- Safe, clean, straight cuts are easy with these manual-operated cutters.
- Cold cut large diameter steel, stainless steel pipe in close quarters.
- H14S cutter is supplied with a slip-on handle that is used to turn and tighten the cutter.
- With good leverage from the tool's long handle, pipe snaps off squarely before the cutter wheels penetrate halfway through the pipe.
- Provides a square cut and can be used in close quarters anywhere – in the ditch, underwater, in noise-free zones, over head, in racks of pipes, etc.
- H14S operates with minimal cutter rotation (45 degree).
- Suitable to cut steel pipe, cast iron Pipe, galvanized pipe, ductile iron pipe and black iron pipe, stainless steel pipe.



Model H14S Pipe Cutter

## Ordering Information

Catalog No.	Item Model	For Steel Pipe		For Cast Iron Pipe		For Stainless Steel Pipe	
		Pipe Size(inch)	Wall Thickness(mm)	Pipe Size(inch)	Wall Thickness(mm)	Pipe Size(inch)	Wall Thickness(mm)
311204	H14S	10"-14"	4.19mm-11.1mm	10"-12"	4.19mm-6mm	10"-12"	4.19mm-6mm

## Packing Information

Catalog No.	Item Model	Package	Package Size(cm)	Gross Weight(kg)	Net Weight(kg)
311204	H14S	1pc / plywood case	118×36×16.5	32kg	23kg

# Reinforced Cutter Wheel



For Pipe Cutting Machine



For Hinged Pipe Cutter

## Product Description

- The cutting process features squeezing pipe apart, our reinforced cutting wheels are the optimal options for such applications.
- The reinforced cutting wheels are made of special alloy, which provides premier cutting performance, suitable for mass cutting of Steel and Black Steel pipe, certain amount cutting of Stainless and Cast Iron pipes.



For Pipe Threading Machine

## Ordering Information

Catalog No.	Item Model	For Steel Pipe		For Cast Iron Pipe		For Stainless Steel Pipe	
		Pipe Size(inch)	Wall Thickness(mm)	Pipe Size(inch)	Wall Thickness(mm)	Pipe Size(inch)	Wall Thickness(mm)
75619	QG8C-A/QG12C	2"-12"	2.77mm-10.3mm	2"-6"	3mm-6mm	2"-6"	3mm-6mm
40601026	H2S	1"-2 1/2"	2.77mm-5.15mm	1"-2 1/2"	2.77mm-5.15mm	1"-2 1/2"	2.77mm-5.15mm
40601014	H4S	2"-4"	2.77mm-6.02mm	2"-4"	3mm-6mm	2"-4"	3mm-6mm
40601017	H6S	4"-6"	3mm-7.11mm	4"-6"	3mm-6mm	4"-6"	3mm-6mm
40601020	H8S	6"-8"	3.4mm-8.18mm	6"-8"	3.4mm-6mm	6"-8"	3.4mm-6mm
40601024	H14S	10"-14"	4.19mm-11.1mm	10"-12"	4.19mm-6mm	10"-12"	4.19mm-6mm

## Packing Information

Catalog No.	Item Model	Package	Package Size(cm)	Gross Weight(kg)	Net Weight(kg)
75619	QG8C-A/QG12C	1pc / paper box	20.5*20.5*0.8	1.26kg	1.25kg
40601026	H2S	4pc / blister card			
40601014	H4S	4pc / blister card	19.7*12.5*2.5	0.26kg	0.25kg
40601017	H6S	4pc / blister card	19.7*12.5*2.5	0.26kg	0.25kg
40601020	H8S	4pc / blister card	21.3*14*2.7	0.36kg	0.35kg
40601024	H14S	2pc / blister card	36.5*11.3*2.7	0.46kg	0.45kg

# Pipe Cutters

## Product Description

- Fast, clean pipe cutting by hand or power.
- Extra-long shank protects adjustment threads. While an extra-large handle provided for quick, easy adjustment.
- Second handle on H3A, H4A makes two-man leverage possible on large pipe sizes.

## Ordering Information

Catalog No.	Model No.	Description	Pipe Capacity		N.W(kg)
			in.	mm.	
4011010	H2A	Heavy-Duty Pipe cutter	1/8-2	3-50	3.3
4011110	H3A	Heavy-Duty Pipe cutter	1-3	25-75	3
4011210	H4A	Heavy-Duty Pipe cutter	2-4	50-100	5.5



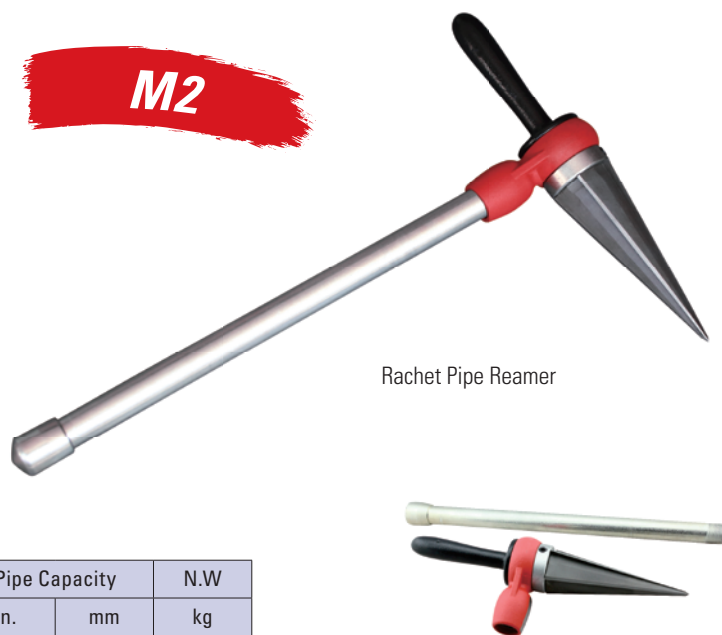
# Pipe Reamer

## Product Description

- M2 Ratchet Reamer – Long taper design will not dig in.
- For manual reaming or use with SQ50D power drive.
- Portable and light weight.
- Designed for 1/8"-2" steel pipes.
- Hardened alloy steel cone.

## Ordering Information

Catalog No.	Model No.	Description	Pipe Capacity		N.W
			in.	mm	kg
4561000	M2	Straight Reamer	1/8-2	3-50	3



Ratchet Pipe Reamer



# PIPE AND INSTALLATION TOOLS

## Pipe Vises



H402 Bench Chain Vise

H401 Portable Tristand Chain Vise



### Product Description

- Model H401 includes integral legs and tray fold in for easy carrying and setup. Large vise base overhangs front legs for clear tool swing. Casting Aluminum base, lightweight but strong enough.
- Model H401 includes slots for hanging tools, pipe rest, three-pipe benders, and ceiling brace screw.
- Model H401 features a larger work surface.
- Model H402 Rugged cast-iron base has handy pipe rest and bender.
- Model H401 and H402 Crank handle is anchored to base.

### Ordering Information

Catalog No.	Model No.	Description	Pipe Capacity		N.W
			in.	mm	kg
602201	H401	Portable TRISTAND China Vise	1/8-6	3-150	20
602208	H402	Top Screw Bench Chain Vise	1/8-6	3-150	7

## Pipe Vises

### Product Description

- Yoke and base made of strong, dependable iron. Hardened alloy steel jaws and convenient pipe rest and bender.

### Ordering Information

Catalog No.	Model No.	Description	Pipe Capacity		N.W
			in.	mm	kg
4021010	HL21	Bench Yoke Vise	1/8-2	3-50	4
4021011	HL22	Bench Yoke Vise	1/8-2½	3-60	6.25
4021012	HL23	Bench Yoke Vise	1/8-3	3-80	8
4021013	HL25	Bench Yoke Vise	1/8-4	3-100	12



Bench Yoke Vise