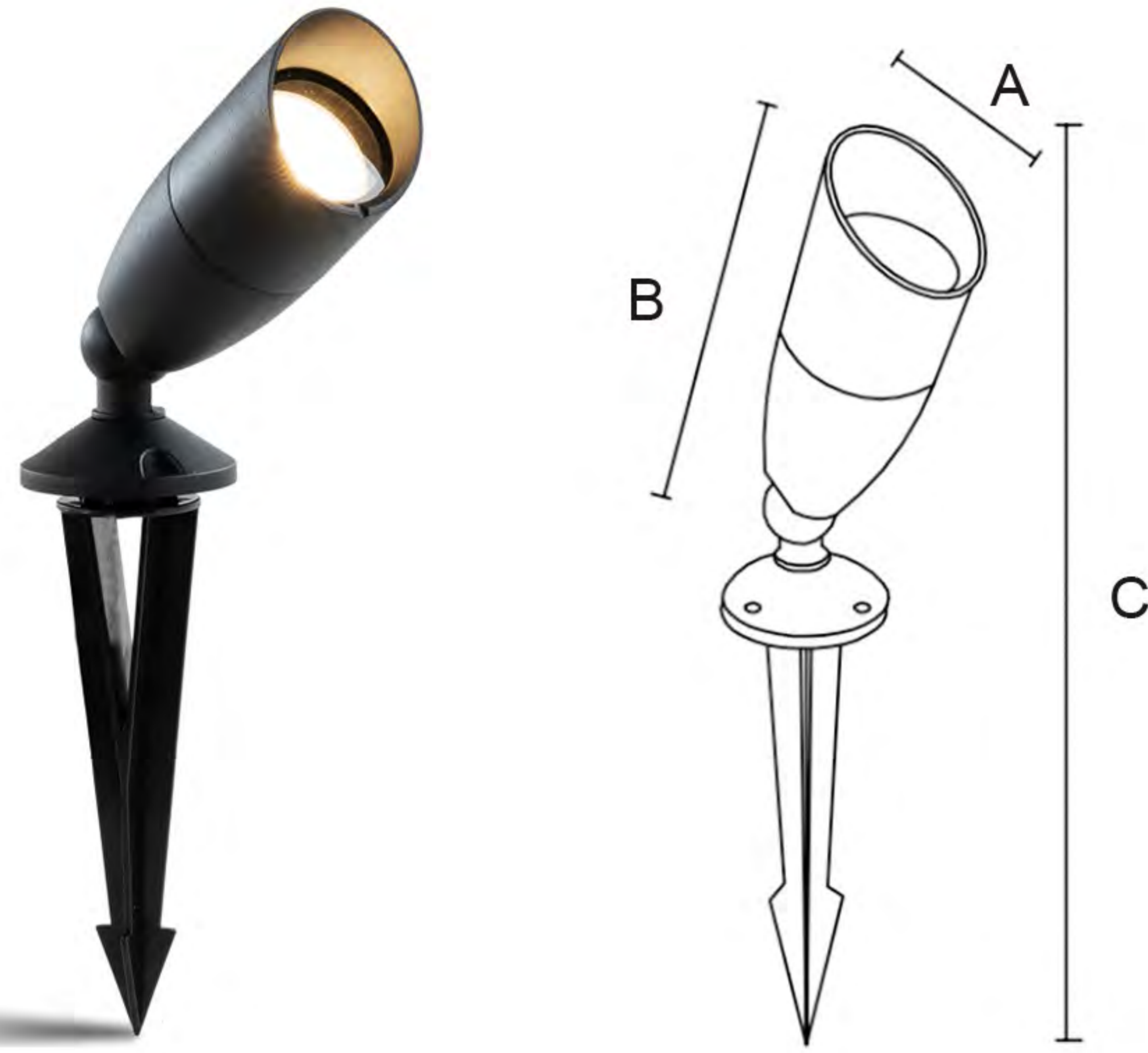


# MB18-601



## Features&Benefit (功能和优点)

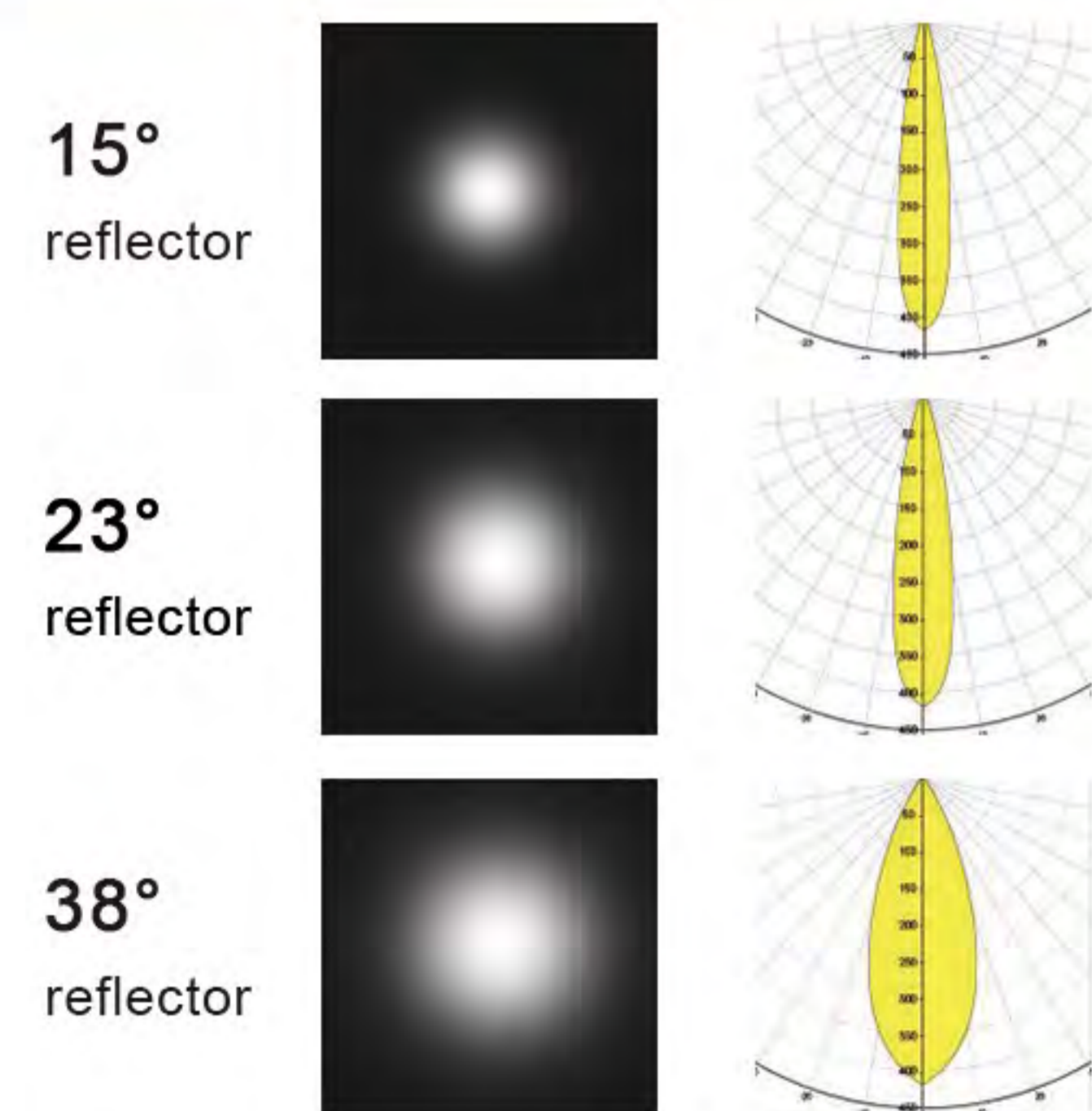
Category (品类)	Spot Light
Diffuser Material (扩散器材质)	Glass
Cover Material (面盖材质)	Aluminum
Operating mode (运行)	Built in
Steuerbar (开关)	On/Off
IP (防水等级)	65
Mounting type (安装类型)	Insert
Mounting location (安装位置)	Underground
Application environment (应用环境)	Indoor/Outdoor
Body color (表面颜色)	Black/Dark Gray/Sliver Gray



## Product Description (产品描述)

Suitable for villas, courtyards, terraces, gardens or neighborhoods and other landscapes; a variety of angles and a variety of power options to meet the different light and brightness; close to the flowers and shrubs can be illuminated, and the distance can be illuminated by medium-sized trees landscape.

## Beam Angle (光束角度)



## Technical Date (技术参数)

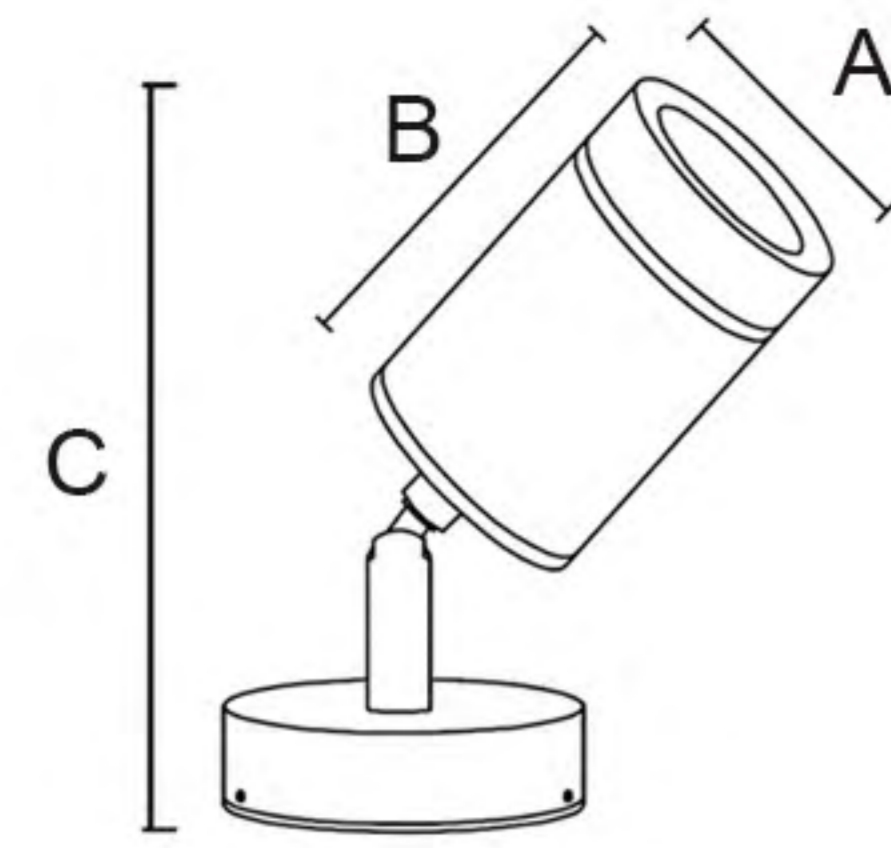
Item No.	Lamp Type	Power	LM	CCT	PF	Voltage	CRI	A	B	C (mm)
MB18-601	LED	7W	490	2700K-6000K	0.6	AC110-265V	80-90	Ø65	145	400
MB18-601	GU10/G5.3	-	-	-	-	-	-	Ø65	145	400



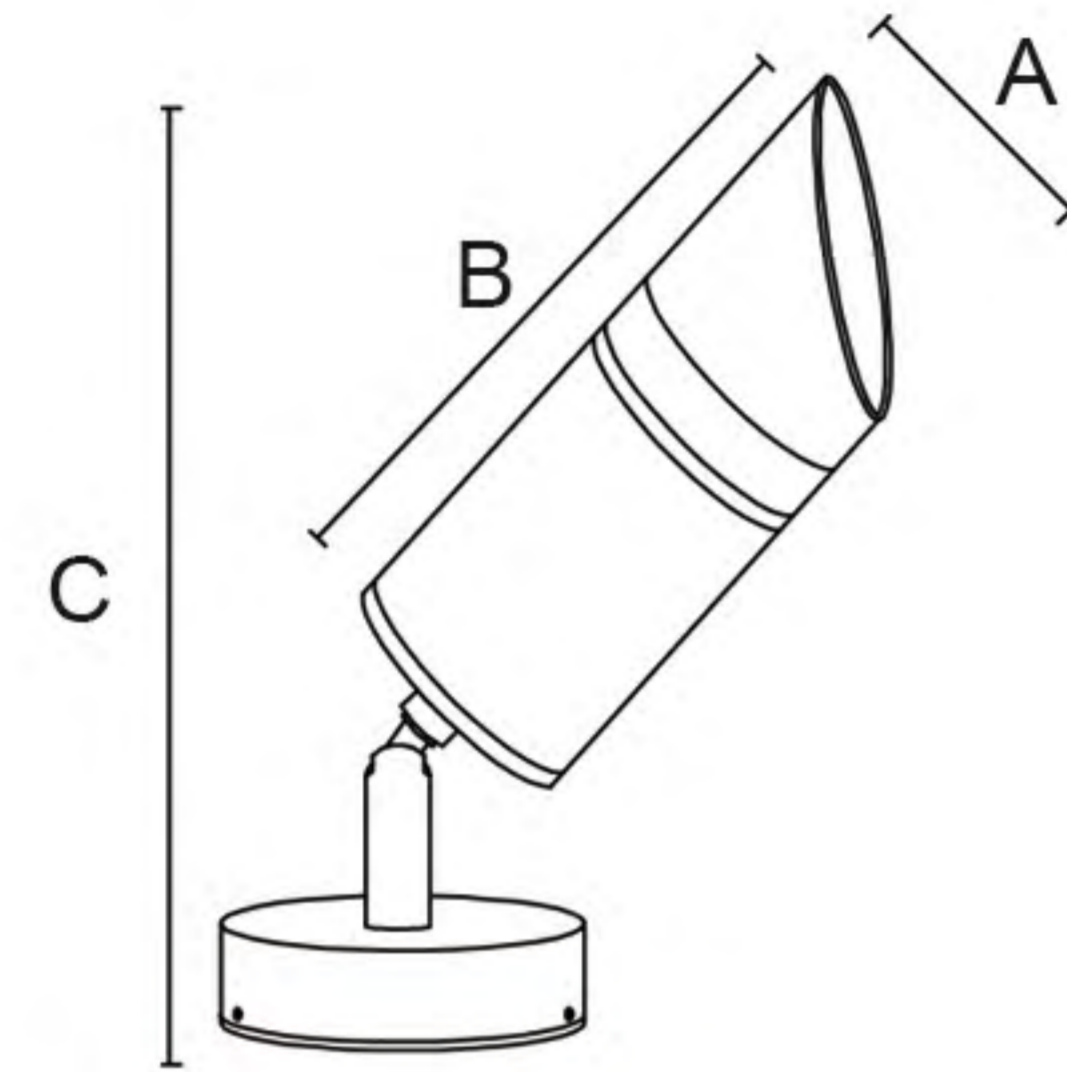
# MB18-604/MB18-606



MB18-604



MB18-606



## Features&Benefit (功能和优点)

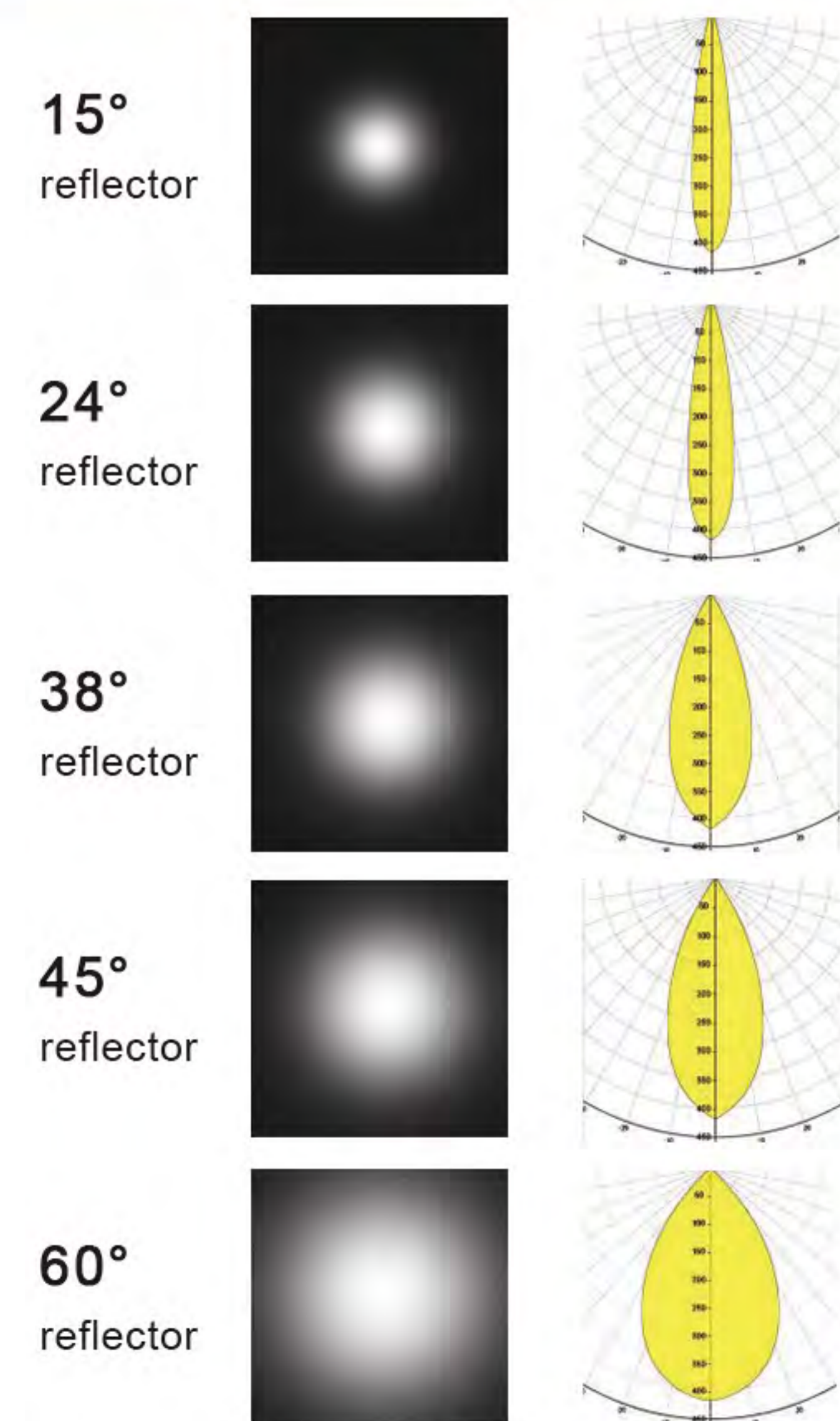
Category (品类)	Spot Light
Diffuser Material (扩散器材质)	Glass
Cover Material (面盖材质)	Aluminum
Operating mode (运行)	Built in
Steuerbar (开关)	On/Off
IP (防水等级)	65
Mounting type (安装类型)	Put
Mounting location (安装位置)	Wall mounted
Application environment (应用环境)	Indoor/Outdoor
Body color (表面颜色)	Black/Dark Gray/Sliver Gray



## Product Description (产品描述)

Suitable for villas, courtyards, terraces, gardens or neighborhoods and other landscapes; a variety of angles and a variety of power options to meet the different light and brightness; close to the flowers and shrubs can be illuminated, and the distance can be illuminated by medium-sized trees landscape.

## Beam Angle (光束角度)



## Technical Date (技术参数)

Item No.	Lamp Type	Power	LM	CCT	PF	Voltage	CRI	A	B	C (mm)
MB18-604	LED	10W	700	2700K-6000K	0.6	AC110-265V	80-90	Ø58	95	180
MB18-606	LED	10W	700	2700K-6000K	0.6	AC110-265V	80-90	Ø58	175	260
MB18-604	GU10/G5.3	-	-	-	-	-	-	Ø58	95	180
MB18-606	GU10/G5.3	-	-	-	-	-	-	Ø58	175	260



# MB18-605/MB18-607

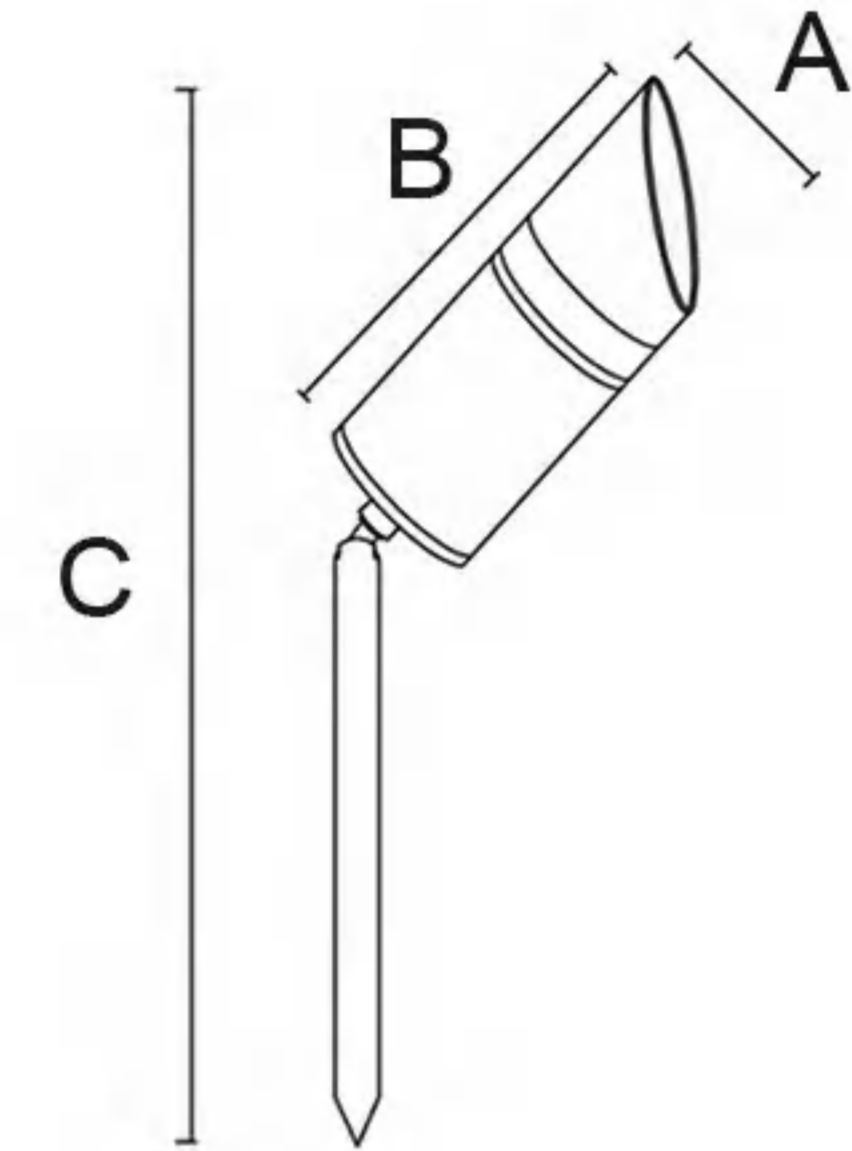
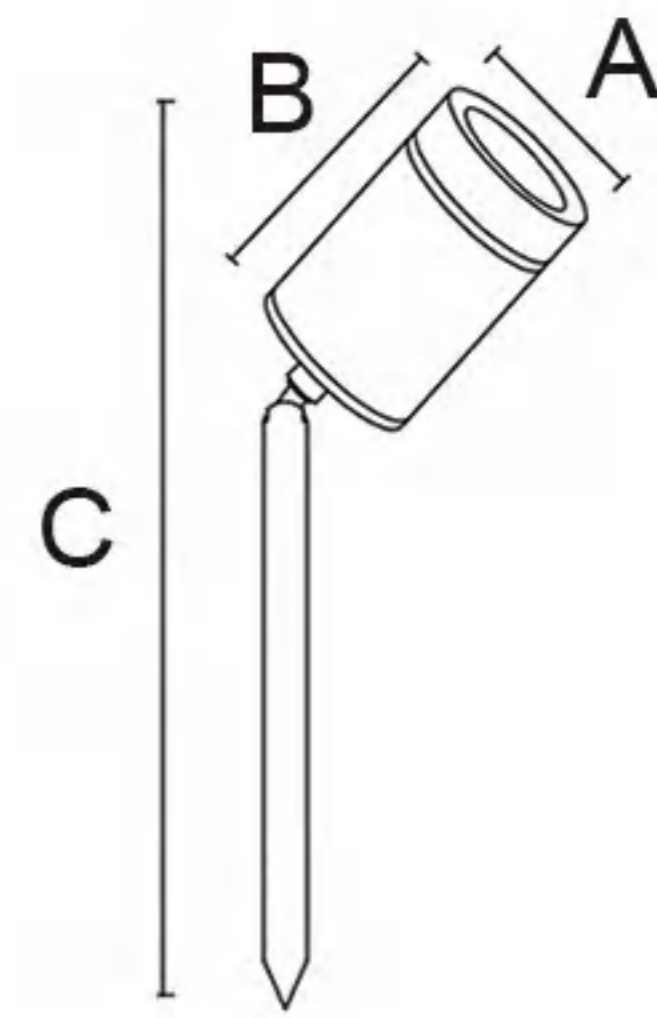
## Features&Benefit (功能和优点)

Category (品类)	Spot Light
Diffuser Material (扩散器材质)	Glass
Cover Material (面盖材质)	Aluminum
Operating made (运行)	Built in
Steuerbar (开关)	On/Off
IP (防水等级)	65
Mounting type (安装类型)	Insert
Mounting location (安装位置)	Underground
Application environment (应用环境)	Indoor/Outdoor
Body color (表面颜色)	Black/Dark Gray/Sliver Gray

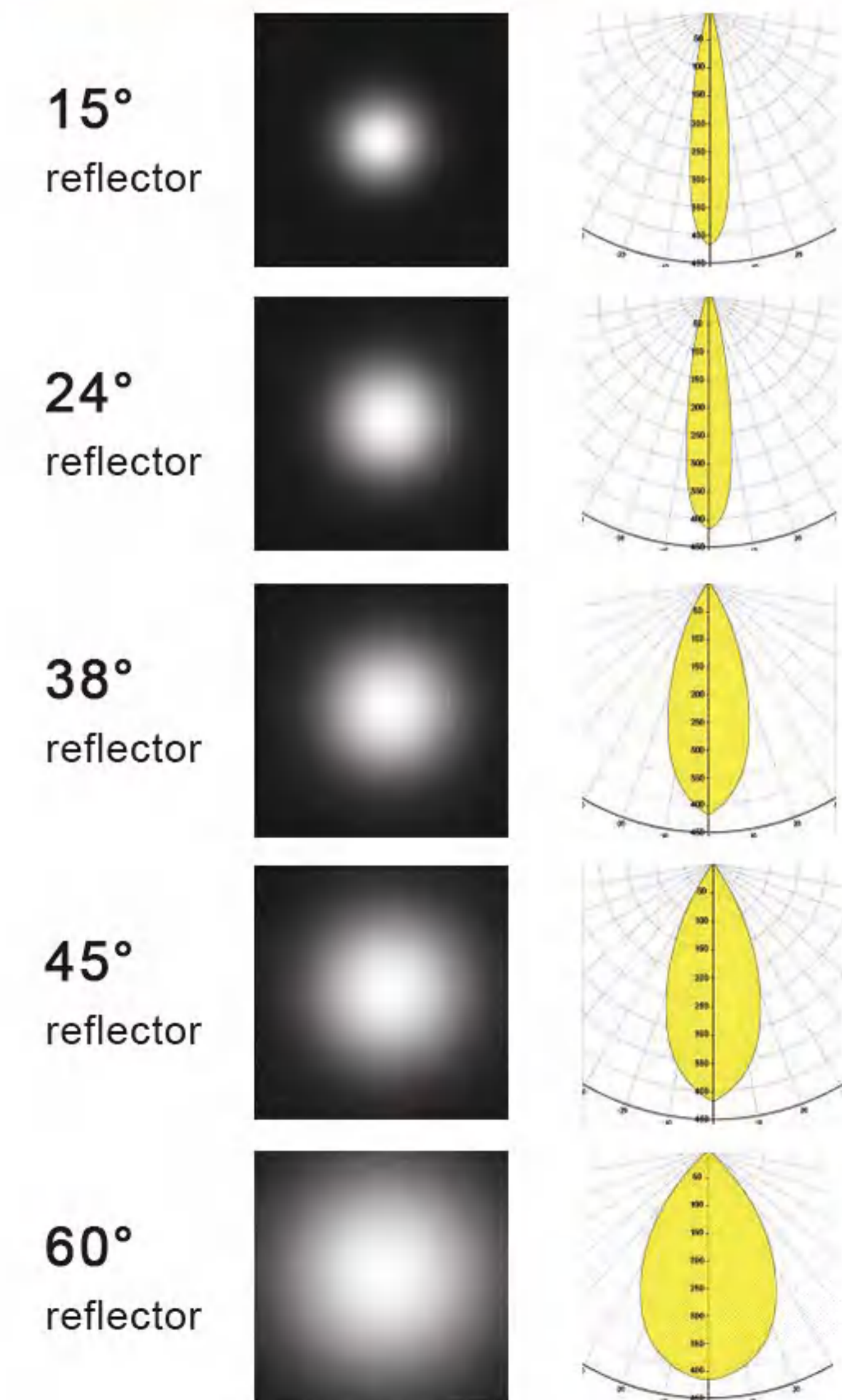


## Product Description (产品描述)

Suitable for villas, courtyards, terraces, gardens or neighborhoods and other landscapes; a variety of angles and a variety of power options to meet the different light and brightness; close to the flowers and shrubs can be illuminated, and the distance can be illuminated by medium-sized trees landscape.



## Beam Angle (光束角度)



## Technical Date (技术参数)

Item No.	Lamp Type	Power	LM	CCT	PF	Voltage	CRI	A	B	C (mm)
MB18-605	LED	10W	700	2700K-6000K	0.6	AC110-265V	80-90	Ø58	95	315
MB18-607	LED	10W	700	2700K-6000K	0.6	AC110-265V	80-90	Ø58	175	400
MB18-605	GU10/G5.3	-	-	-	-	-	-	Ø58	95	315
MB18-607	GU10/G5.3	-	-	-	-	-	-	Ø58	175	400



# MB18-608/MB18-609

## Features&Benefit (功能和优点)

Category (品类)  
 Diffuser Material (扩散器材质)  
 Cover Material (面盖材质)  
 Operating made (运行)  
 Steuerbar (开关)  
 IP (防水等级)  
 Mounting type (安装类型)  
 Mounting location (安装位置)  
 Application environment (应用环境)  
 Body color (表面颜色)

Spot Light  
 Glass  
 Plastic  
 Built in  
 On/Off  
 65  
 Insert  
 Underground  
 Indoor/Outdoor  
 Black



Black

## Product Description (产品描述)

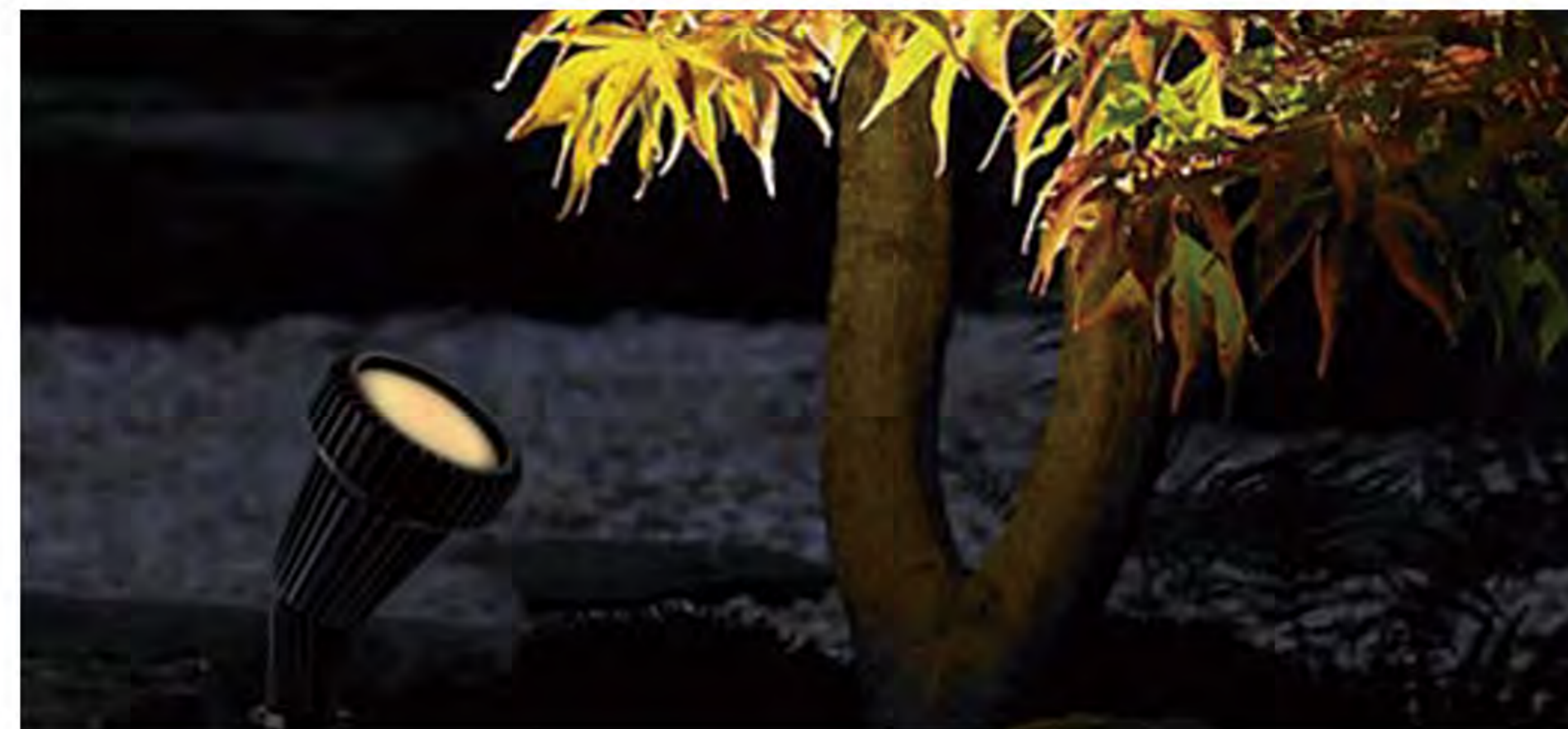
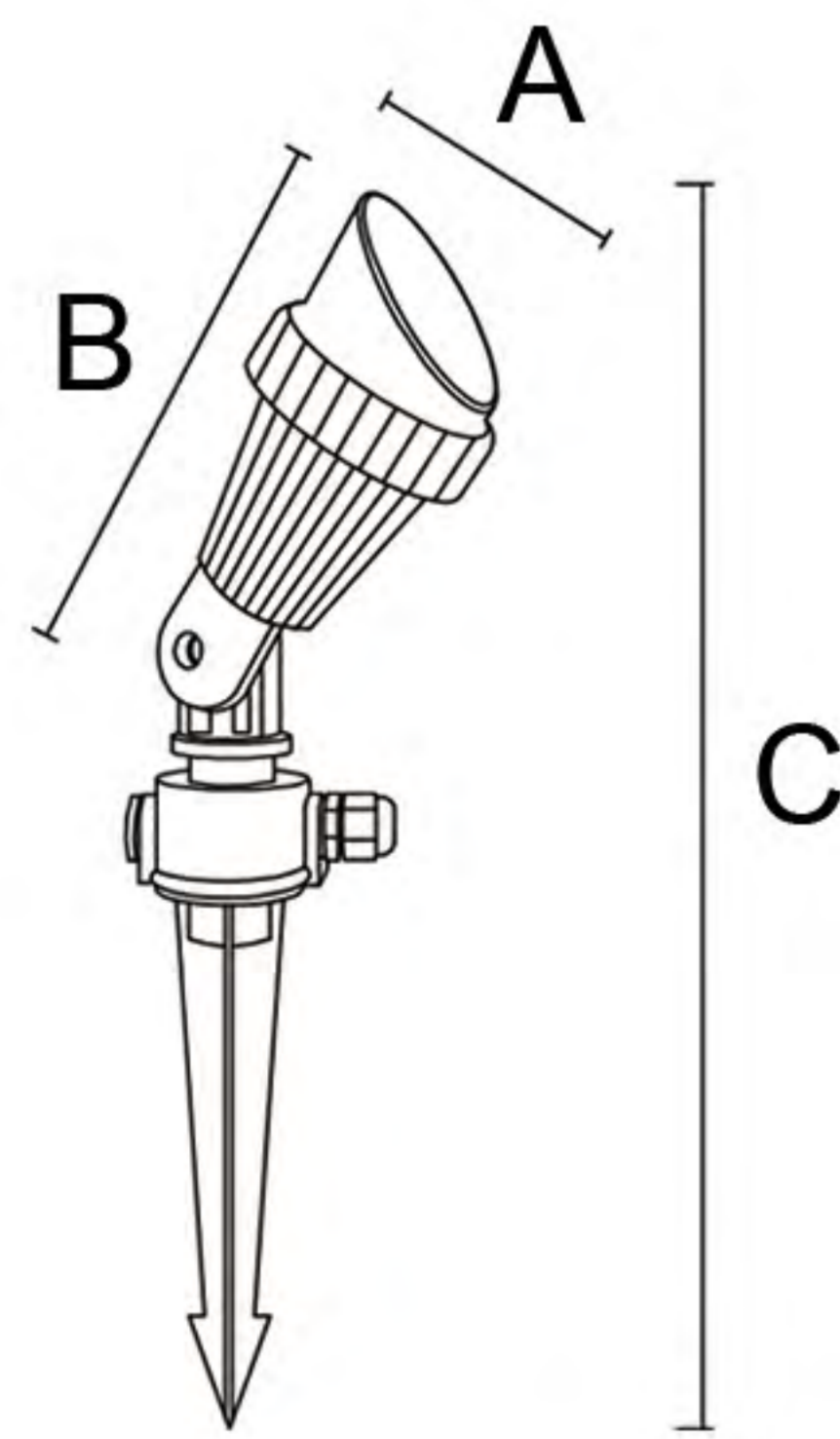
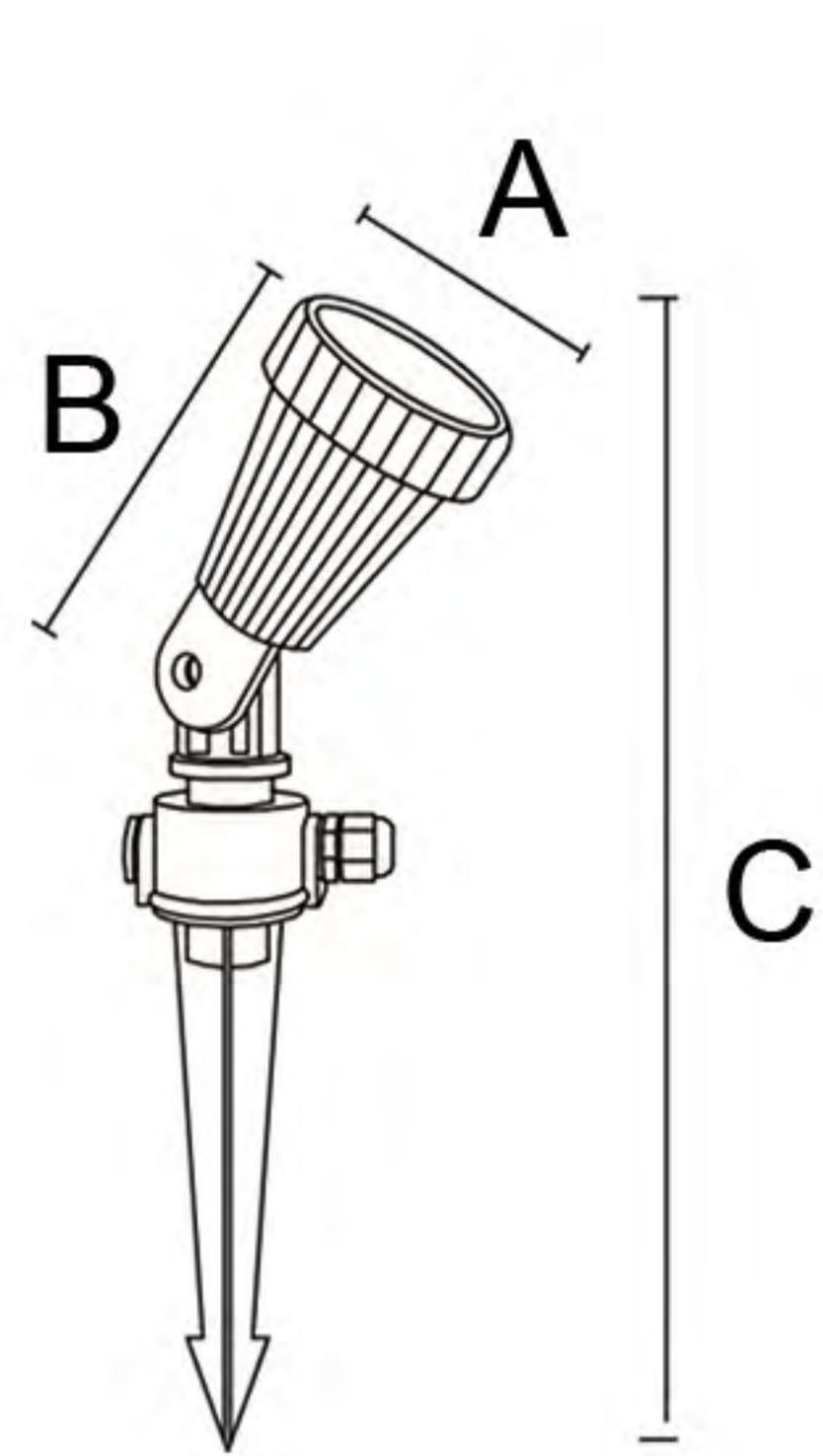
Suitable for villas, courtyards, terraces, gardens or neighborhoods and other landscapes; a variety of angles and a variety of power options to meet the different light and brightness; close to the flowers and shrubs can be illuminated, and the distance can be illuminated by medium-sized trees landscape.



MB18-608



MB18-609

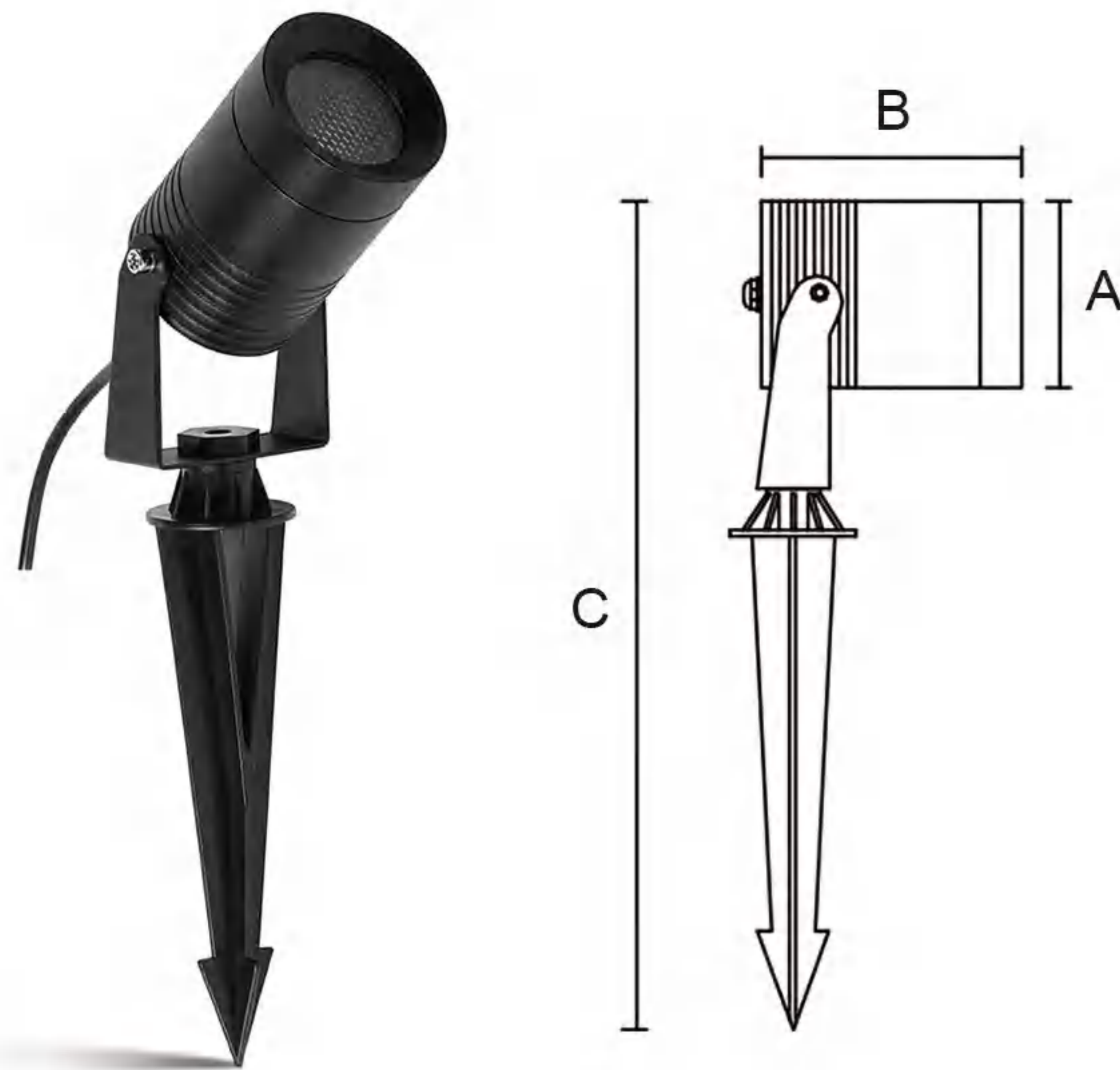


## Technical Date (技术参数)

Item No.	Lamp Type	Power	LM	CCT	PF	Voltage	CRI	A	B	C (mm)
MB18-608	GU10/G5.3	-	-	-	-	-	-	Ø75	135	395
MB18-609	GU10/G5.3	-	-	-	-	-	-	Ø75	175	430



# MB18-612



## Features&Benefit (功能和优点)

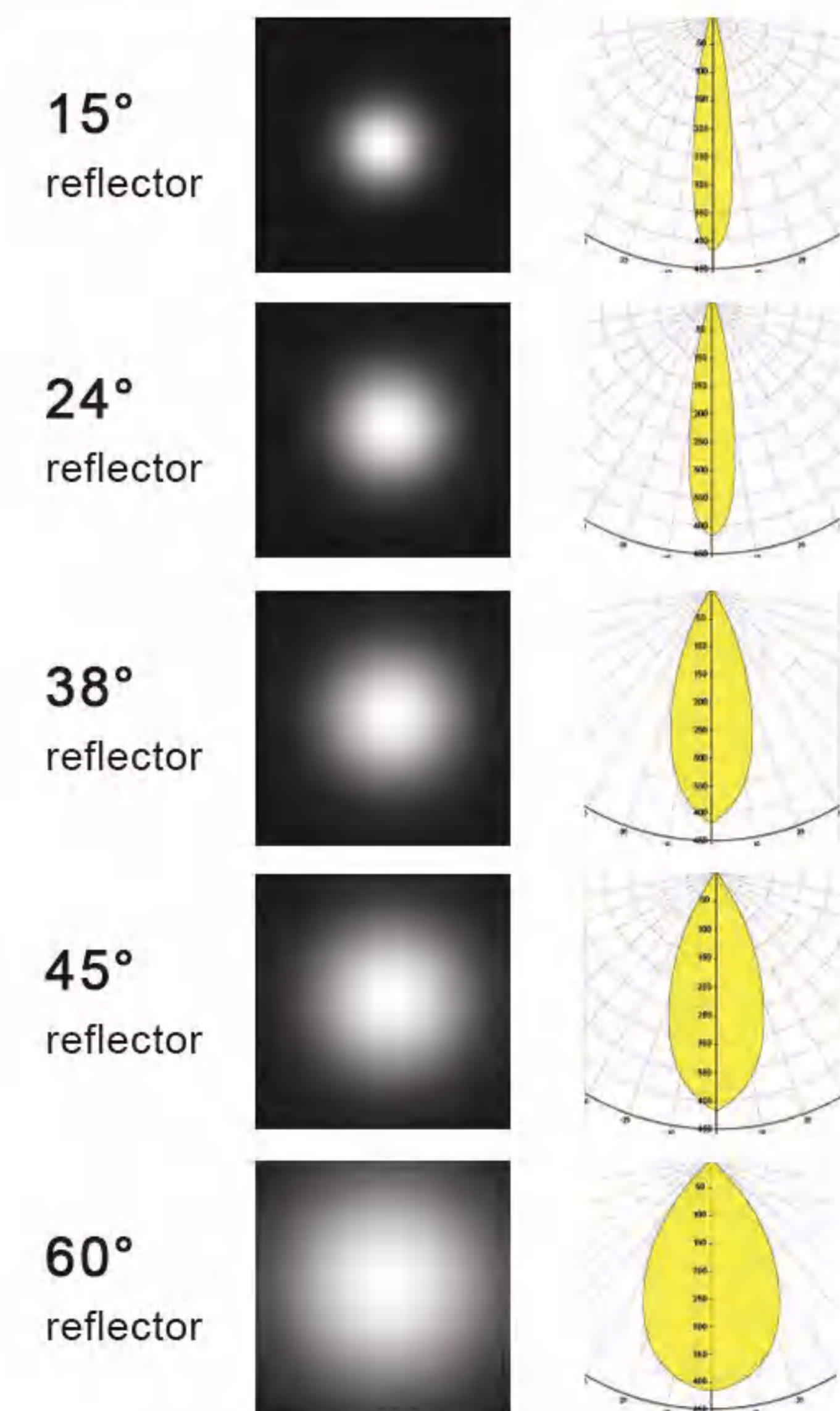
Category (品类)	Spot Light
Diffuser Material (扩散器材质)	Glass
Cover Material (面盖材质)	Aluminum
Operating mode (运行)	Built in
Steuerbar (开关)	On/Off
IP (防水等级)	65
Mounting type (安装类型)	Insert
Mounting location (安装位置)	Underground
Application environment (应用环境)	Indoor/Outdoor
Body color (表面颜色)	Black/Dark Gray/Sliver Gray



## Product Description (产品描述)

Suitable for villas, courtyards, terraces, gardens or neighborhoods and other landscapes; a variety of angles and a variety of power options to meet the different light and brightness; close to the flowers and shrubs can be illuminated, and the distance can be illuminated by medium-sized trees landscape.

## Beam Angle (光束角度)

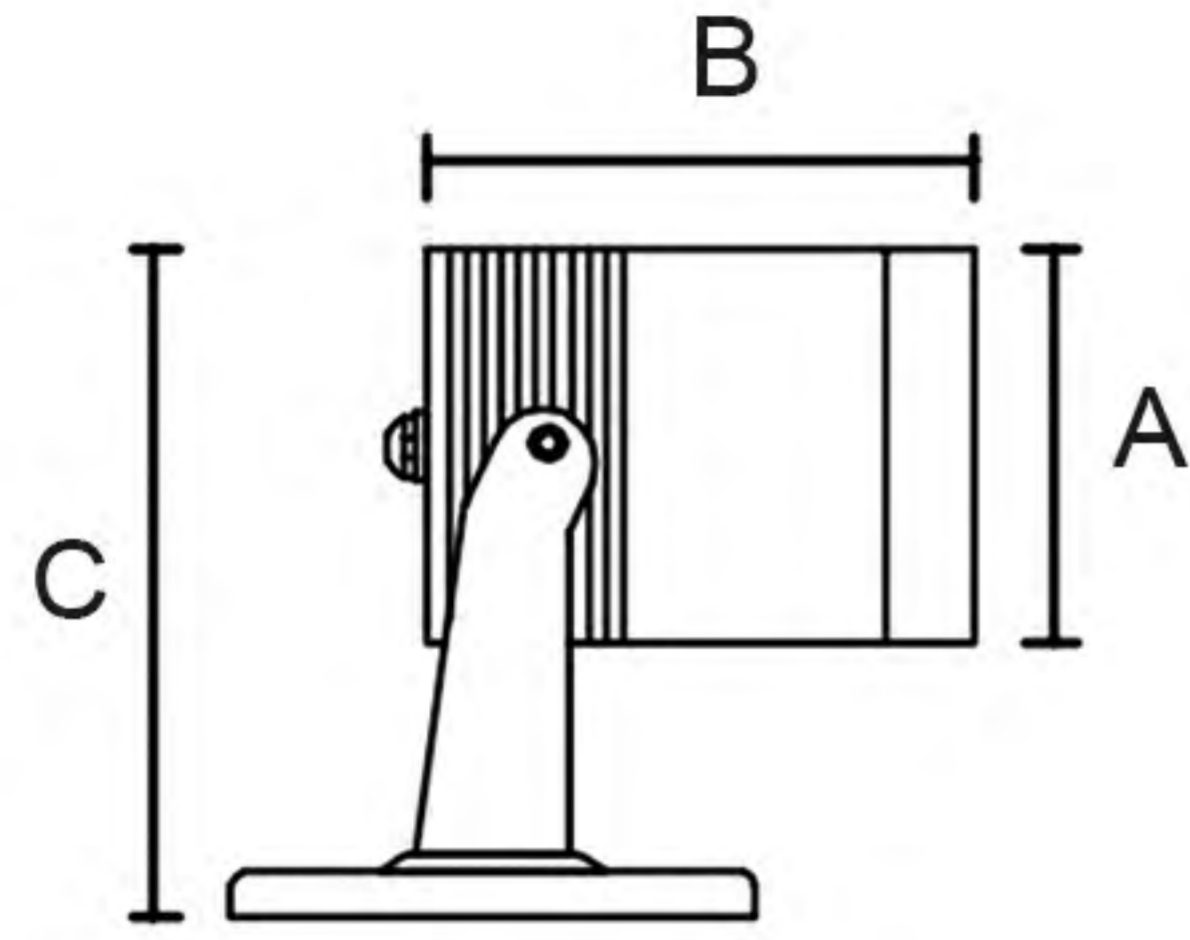


## Technical Date (技术参数)

Item No.	Lamp Type	Power	LM	CCT	PF	Voltage	CRI	A	B	C (mm)
MB18-612S	LED	5W	350	2700K-6000K	0.6	AC110-265V	80-90	Ø50	94	293
MB18-612M	LED	10W	700	2700K-6000K	0.6	AC110-265V	80-90	Ø64	105	311
MB18-612L	LED	15W	1050	2700K-6000K	0.6	AC110-265V	80-90	Ø76	123	371
MB18-612XL	LED	20W	1400	2700K-6000K	0.95	AC110-265V	80-90	Ø90	123	398
MB18-612XXL	LED	30W	2100	2700K-6000K	0.95	AC110-265V	80-90	Ø108	146	407
MB18-612M	GU10/G5.3	-	-	-	-	-	-	Ø60	94	308



# MB18-613



## Features&Benefit (功能和优点)

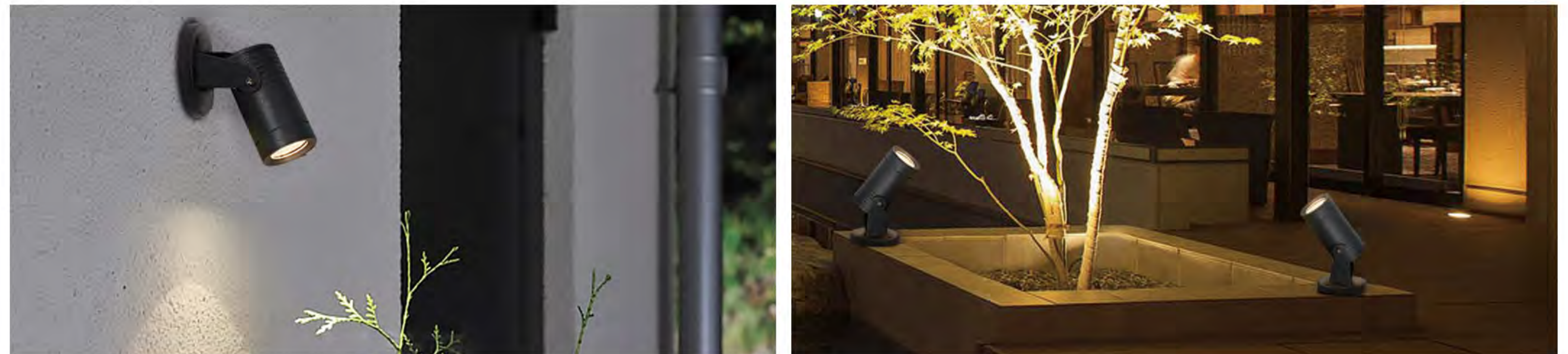
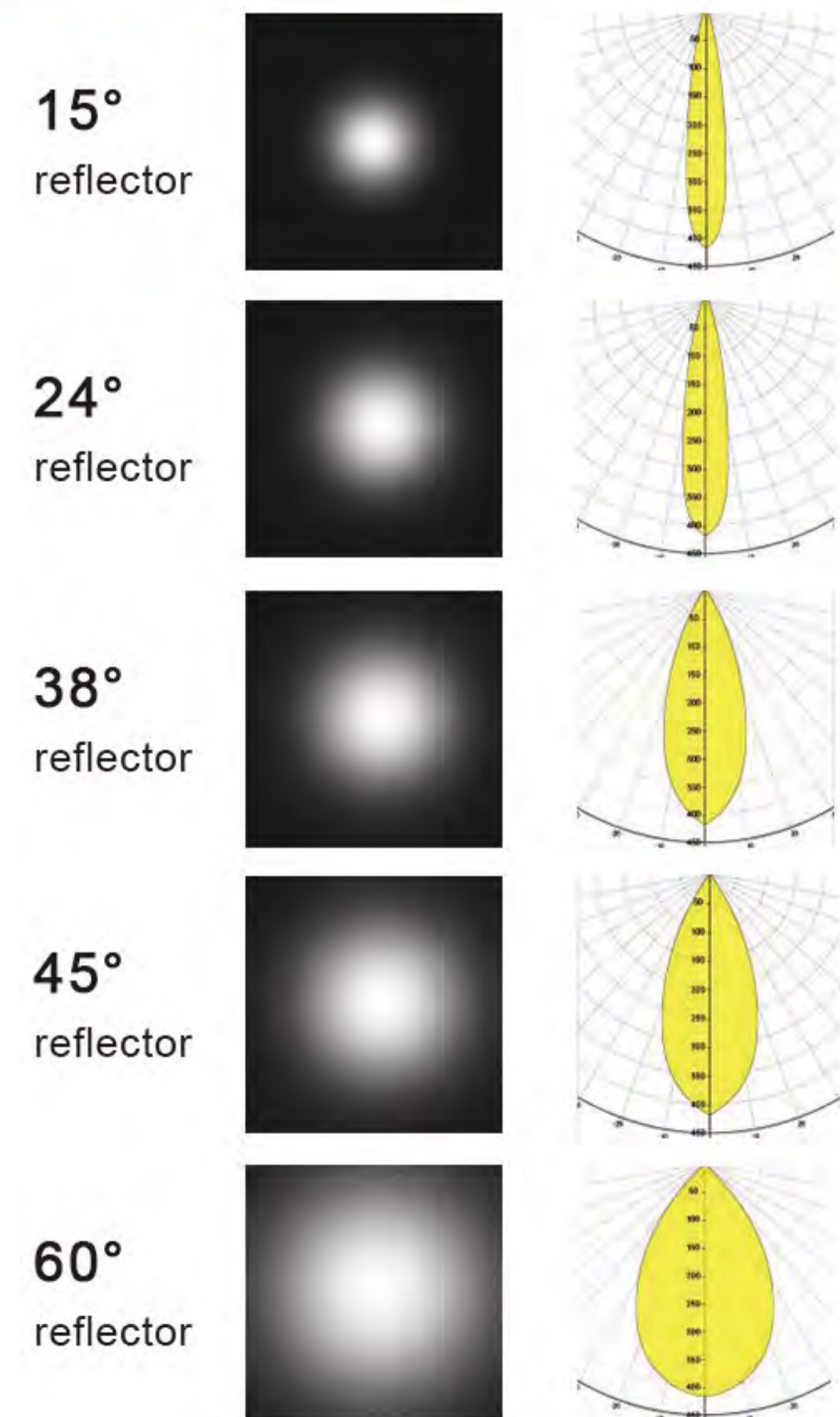
Category (品类)	Spot Light
Diffuser Material (扩散器材质)	Glass
Cover Material (面盖材质)	Aluminum
Operating mode (运行)	Built in
Steuerbar (开关)	On/Off
IP (防水等级)	65
Mounting type (安装类型)	Put
Mounting location (安装位置)	Wall mounted
Application environment (应用环境)	Indoor/Outdoor
Body color (表面颜色)	Black/Dark Gray/Sliver Gray



## Product Description (产品描述)

Suitable for villas, courtyards, terraces, gardens or neighborhoods and other landscapes; a variety of angles and a variety of power options to meet the different light and brightness; close to the flowers and shrubs can be illuminated, and the distance can be illuminated by medium-sized trees landscape.

## Beam Angle (光束角度)

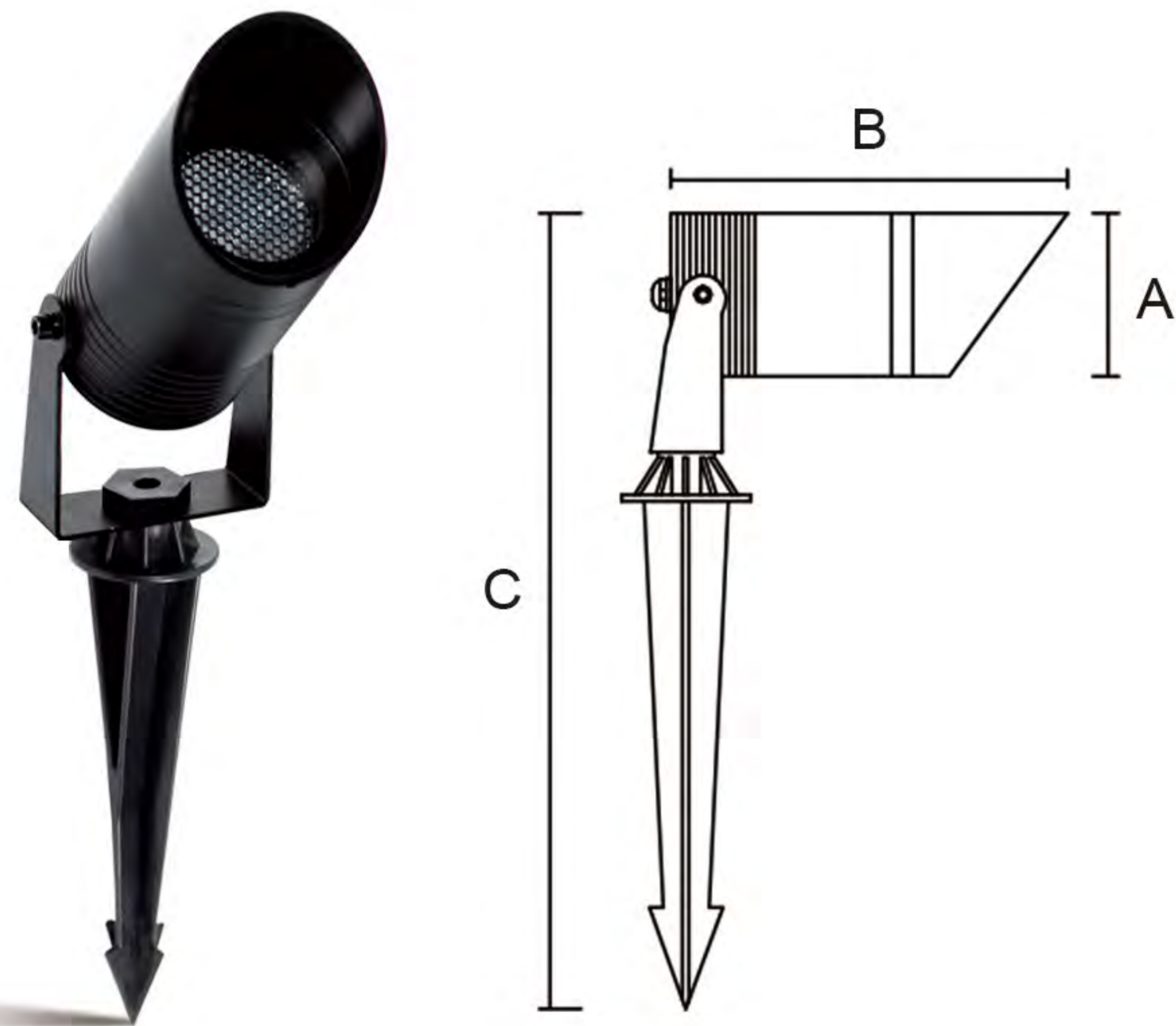


## Technical Date (技术参数)

Item No.	Lamp Type	Power	LM	CCT	PF	Voltage	CRI	A	B	C (mm)
MB18-613S	LED	5W	350	2700K-6000K	0.6	AC110-265V	80-90	Ø50	94	94
MB18-613M	LED	10W	700	2700K-6000K	0.6	AC110-265V	80-90	Ø64	105	114
MB18-613L	LED	15W	1050	2700K-6000K	0.6	AC110-265V	80-90	Ø76	123	124
MB18-613XL	LED	20W	1400	2700K-6000K	0.95	AC110-265V	80-90	Ø90	123	153
MB18-613XXL	LED	30W	2100	2700K-6000K	0.95	AC110-265V	80-90	Ø108	146	162
MB18-613M	GU10/G5.3	-	-	-	-	-	-	Ø60	94	111



# MB18-614



## Features&Benefit (功能和优点)

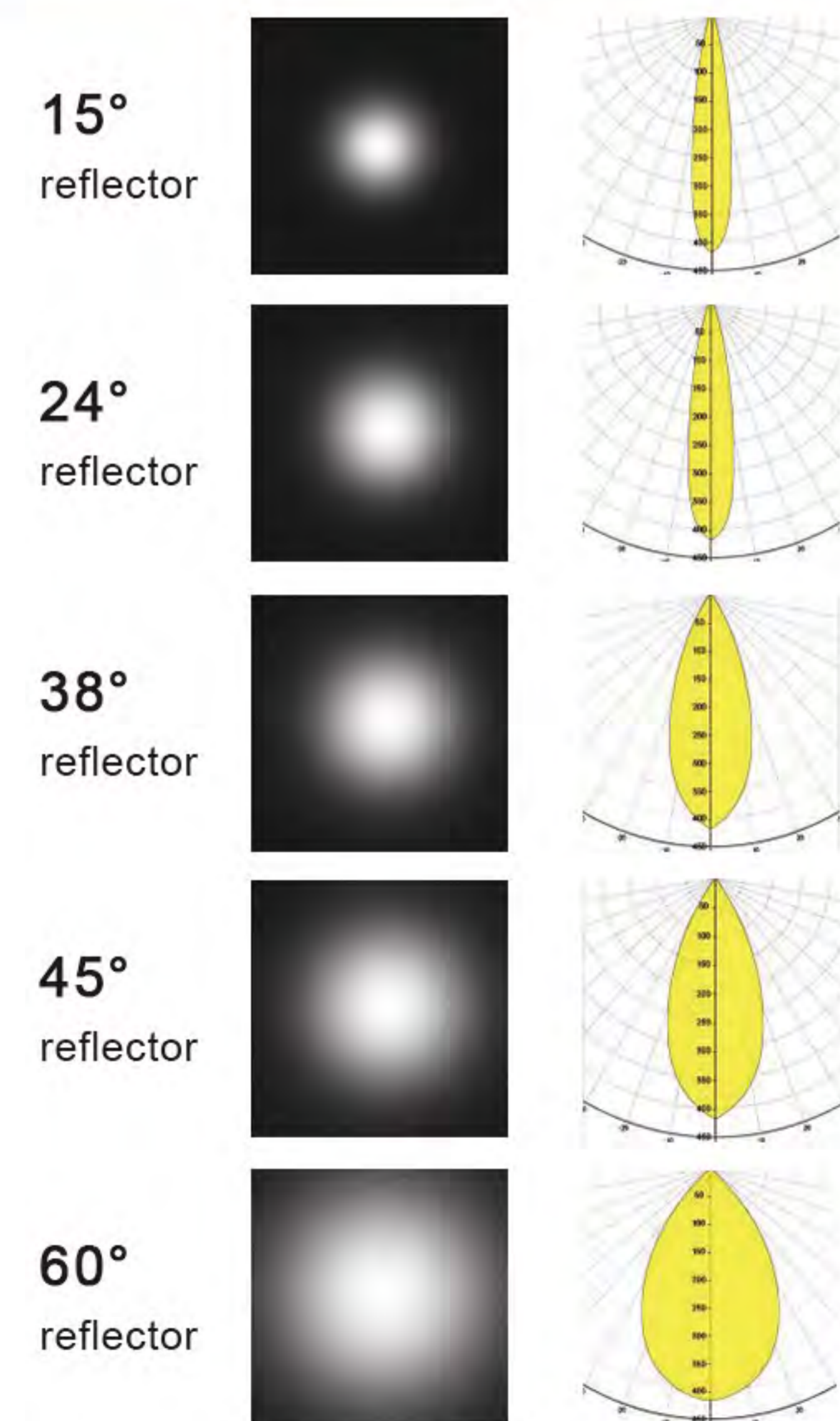
Category (品类)	Spot Light
Diffuser Material (扩散器材质)	Glass
Cover Material (面盖材质)	Aluminum
Operating mode (运行)	Built in
Steuerbar (开关)	On/Off
IP (防水等级)	65
Mounting type (安装类型)	Insert
Mounting location (安装位置)	Underground
Application environment (应用环境)	Indoor/Outdoor
Body color (表面颜色)	Black/Dark Gray/Sliver Gray



## Product Description (产品描述)

Suitable for villas, courtyards, terraces, gardens or neighborhoods and other landscapes; a variety of angles and a variety of power options to meet the different light and brightness; close to the flowers and shrubs can be illuminated, and the distance can be illuminated by medium-sized trees landscape.

## Beam Angle (光束角度)

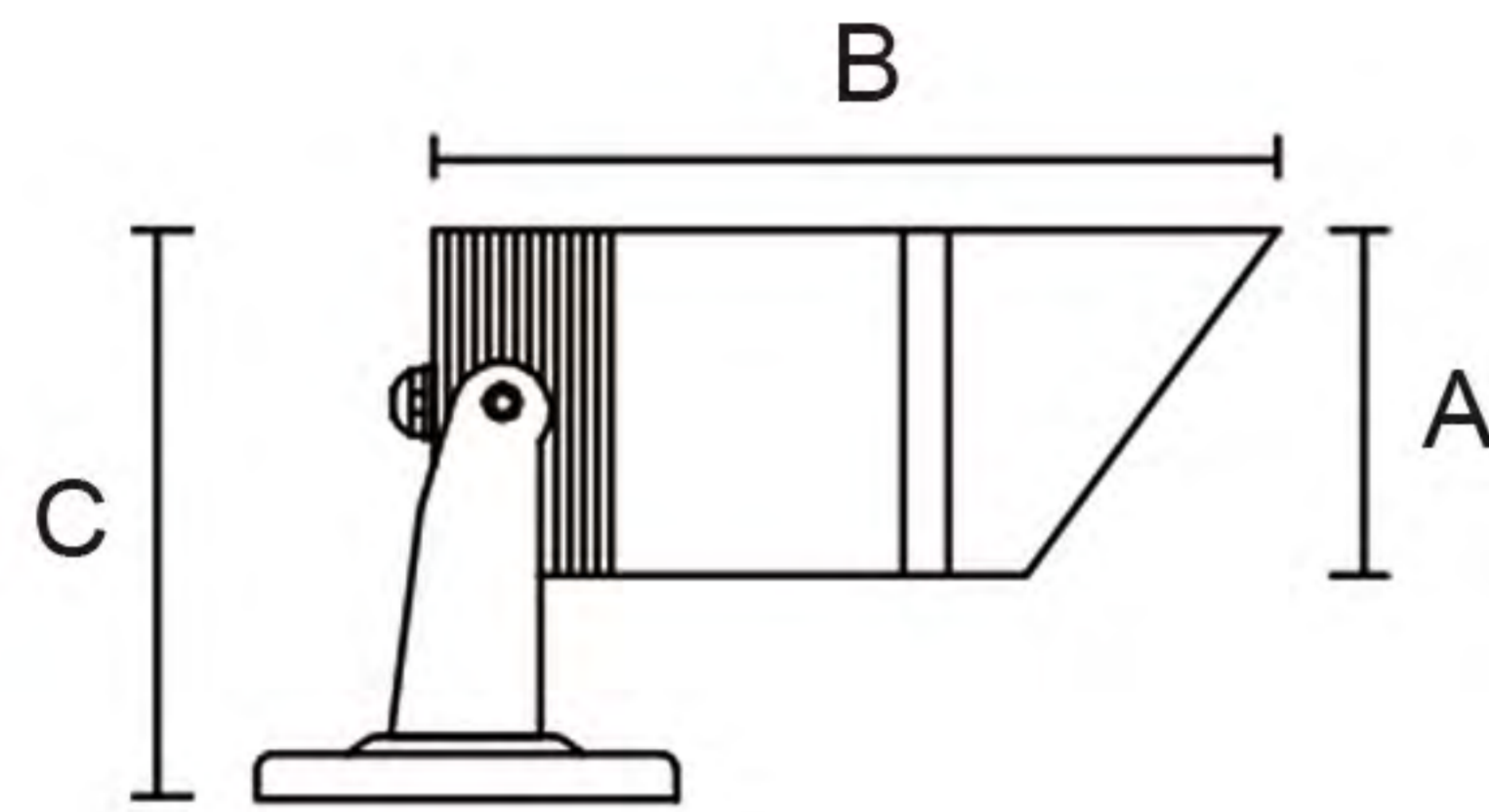


## Technical Date (技术参数)

Item No.	Lamp Type	Power	LM	CCT	PF	Voltage	CRI	A	B	C (mm)
MB18-614S	LED	5W	350	2700K-6000K	0.6	AC110-265V	80-90	Ø50	127	293
MB18-614M	LED	10W	700	2700K-6000K	0.6	AC110-265V	80-90	Ø64	146	311
MB18-614L	LED	15W	1050	2700K-6000K	0.6	AC110-265V	80-90	Ø76	166	371
MB18-614XL	LED	20W	1400	2700K-6000K	0.95	AC110-265V	80-90	Ø90	170	398
MB18-614XXL	LED	30W	2100	2700K-6000K	0.95	AC110-265V	80-90	Ø108	215	407
MB18-614M	GU10/G5.3	-	-	-	-	-	-	Ø60	144	308



# MB18-615



## Features&Benefit (功能和优点)

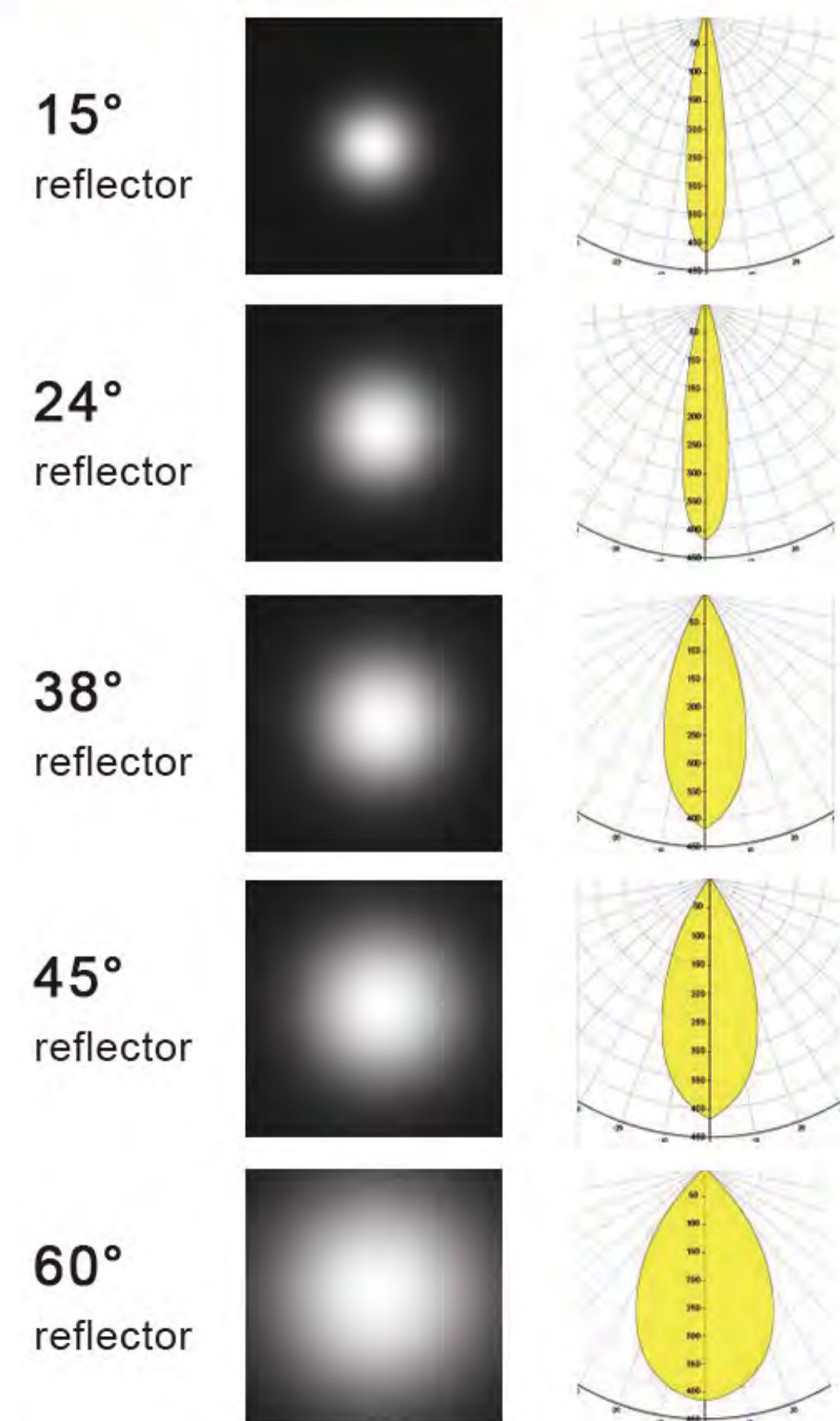
Category (品类)	Spot Light
Diffuser Material (扩散器材质)	Glass
Cover Material (面盖材质)	Aluminum
Operating mode (运行)	Built in
Steuerbar (开关)	On/Off
IP (防水等级)	65
Mounting type (安装类型)	Put
Mounting location (安装位置)	Wall mounted
Application environment (应用环境)	Indoor/Outdoor
Body color (表面颜色)	Black/Dark Gray/Sliver Gray



## Product Description (产品描述)

Suitable for villas, courtyards, terraces, gardens or neighborhoods and other landscapes; a variety of angles and a variety of power options to meet the different light and brightness; close to the flowers and shrubs can be illuminated, and the distance can be illuminated by medium-sized trees landscape.

## Beam Angle (光束角度)

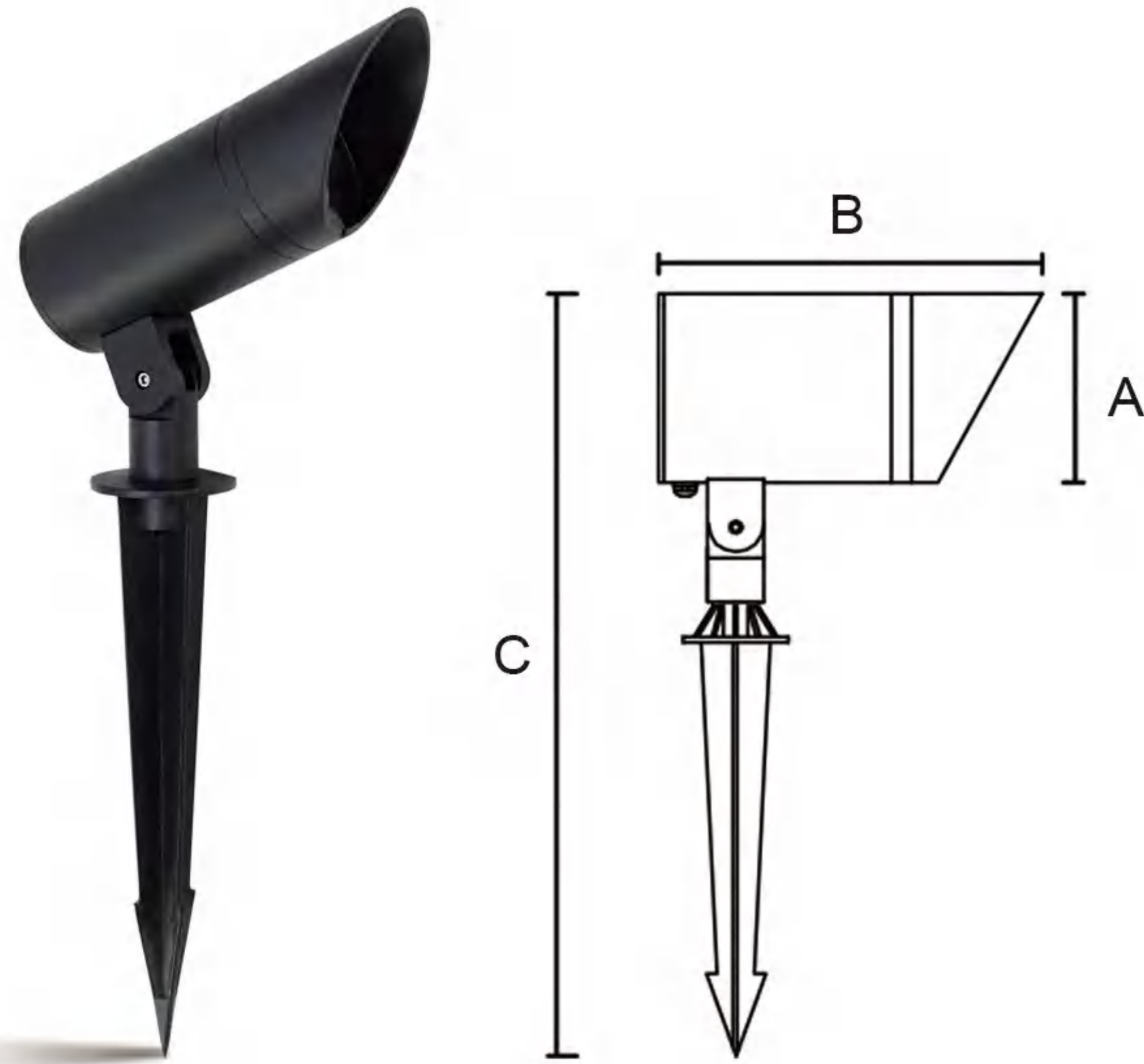


## Technical Date (技术参数)

Item No.	Lamp Type	Power	LM	CCT	PF	Voltage	CRI	A	B	C (mm)
MB18-615S	LED	5W	350	2700K-6000K	0.6	AC110-265V	80-90	Ø50	127	94
MB18-615M	LED	10W	700	2700K-6000K	0.6	AC110-265V	80-90	Ø64	145	114
MB18-615L	LED	15W	1050	2700K-6000K	0.6	AC110-265V	80-90	Ø76	166	124
MB18-615XL	LED	20W	1400	2700K-6000K	0.95	AC110-265V	80-90	Ø90	170	153
MB18-615XXL	LED	30W	2100	2700K-6000K	0.95	AC110-265V	80-90	Ø108	215	162
MB18-615M	GU10/G5.3	-	-	-	-	-	-	Ø60	144	111



# MB18-616



## Features&Benefit (功能和优点)

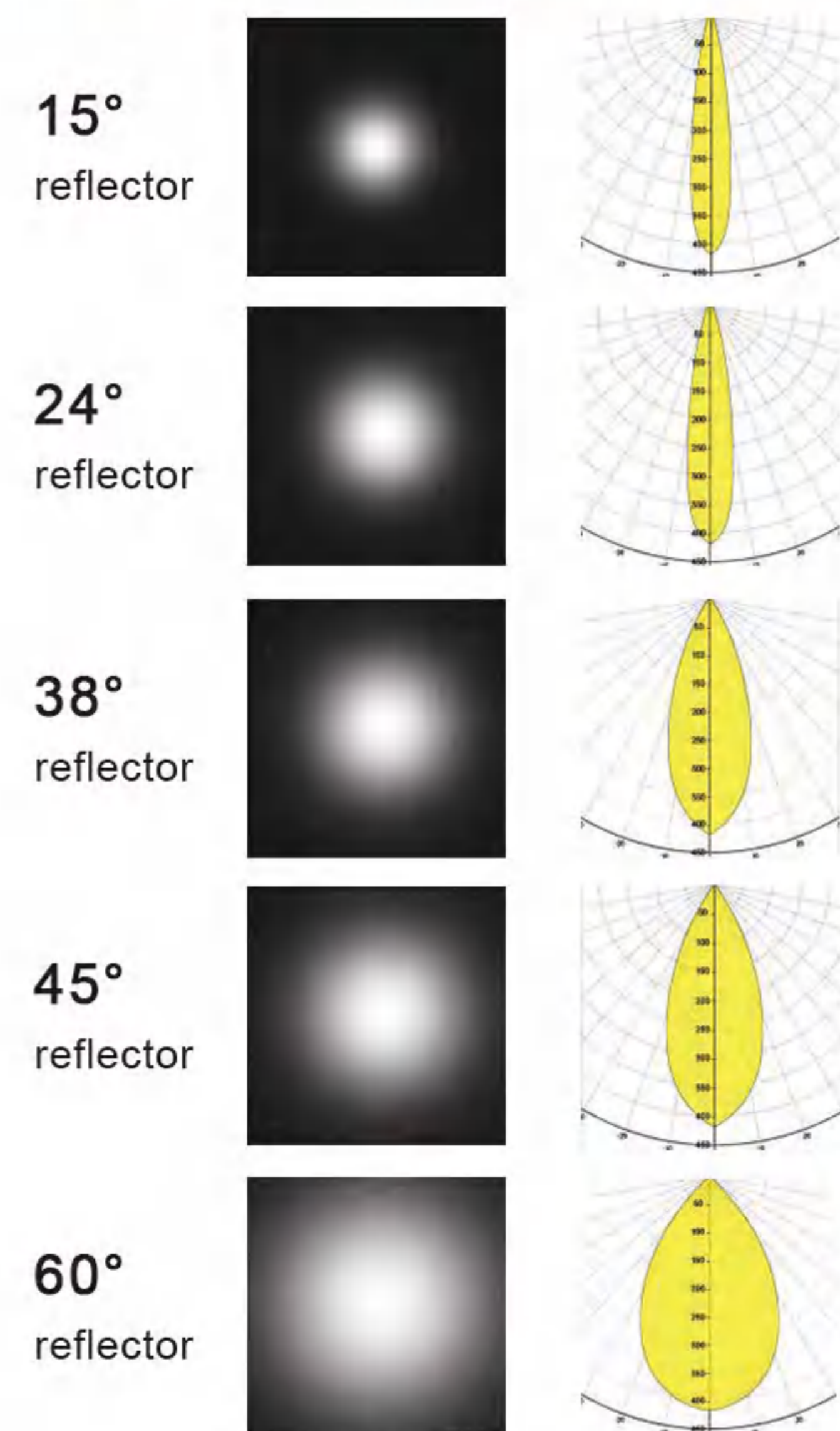
Category (品类)	Spot Light
Diffuser Material (扩散器材质)	Glass
Cover Material (面盖材质)	Aluminum
Operating mode (运行)	Built in
Steuerbar (开关)	On/Off
IP (防水等级)	65
Mounting type (安装类型)	Insert
Mounting location (安装位置)	Underground
Application environment (应用环境)	Indoor/Outdoor
Body color (表面颜色)	Black/Dark Gray/Sliver Gray



## Product Description (产品描述)

Suitable for villas, courtyards, terraces, gardens or neighborhoods and other landscapes; a variety of angles and a variety of power options to meet the different light and brightness; close to the flowers and shrubs can be illuminated, and the distance can be illuminated by medium-sized trees landscape.

## Beam Angle (光束角度)

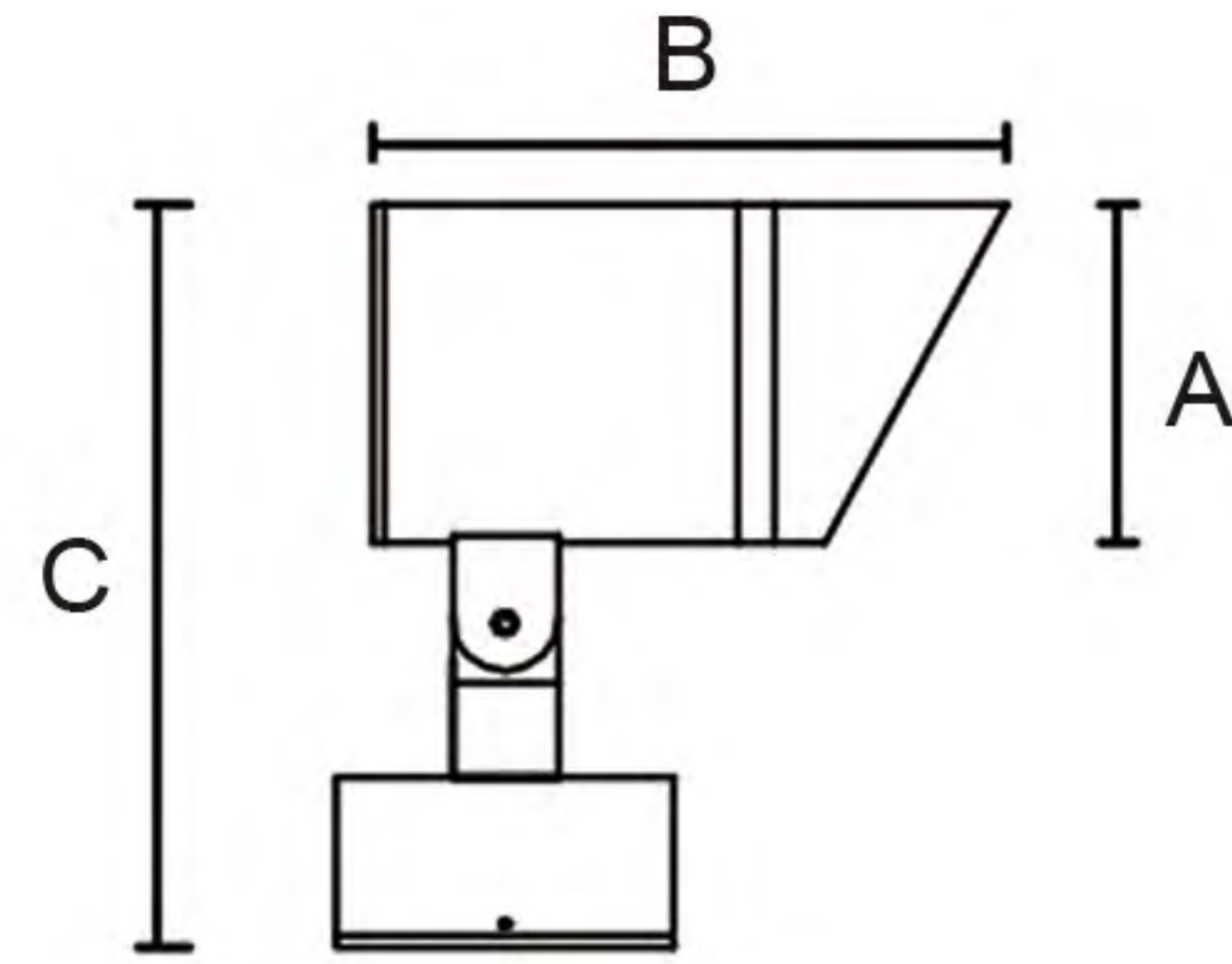


## Technical Date (技术参数)

Item No.	Lamp Type	Power	LM	CCT	PF	Voltage	CRI	A	B	C (mm)
MB18-616-64	LED	10W	700	2700K-6000K	0.6	AC110-265V	80-90	Ø64	183	389
MB18-616-76	LED	15W	1050	2700K-6000K	0.6	AC110-265V	80-90	Ø76	166	401
MB18-616-90	LED	20W	1400	2700K-6000K	0.95	AC110-265V	80-90	Ø90	170	415
MB18-616-108	LED	30W	2100	2700K-6000K	0.95	AC110-265V	80-90	Ø108	215	433
MB18-616-60	GU10/G5.3	-	-	-	-	-	-	Ø60	171	385



# MB18-616Z



## Features&Benefit (功能和优点)

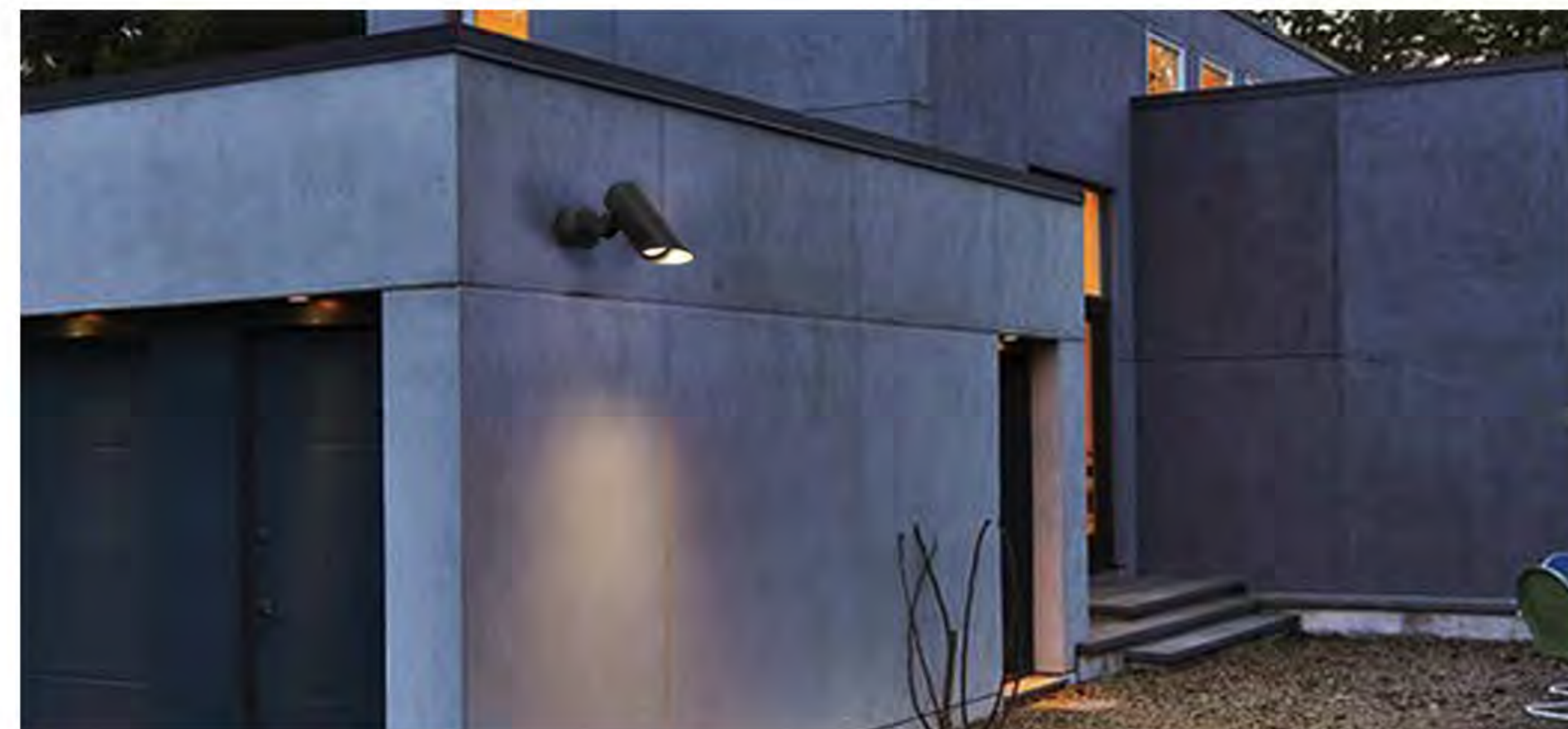
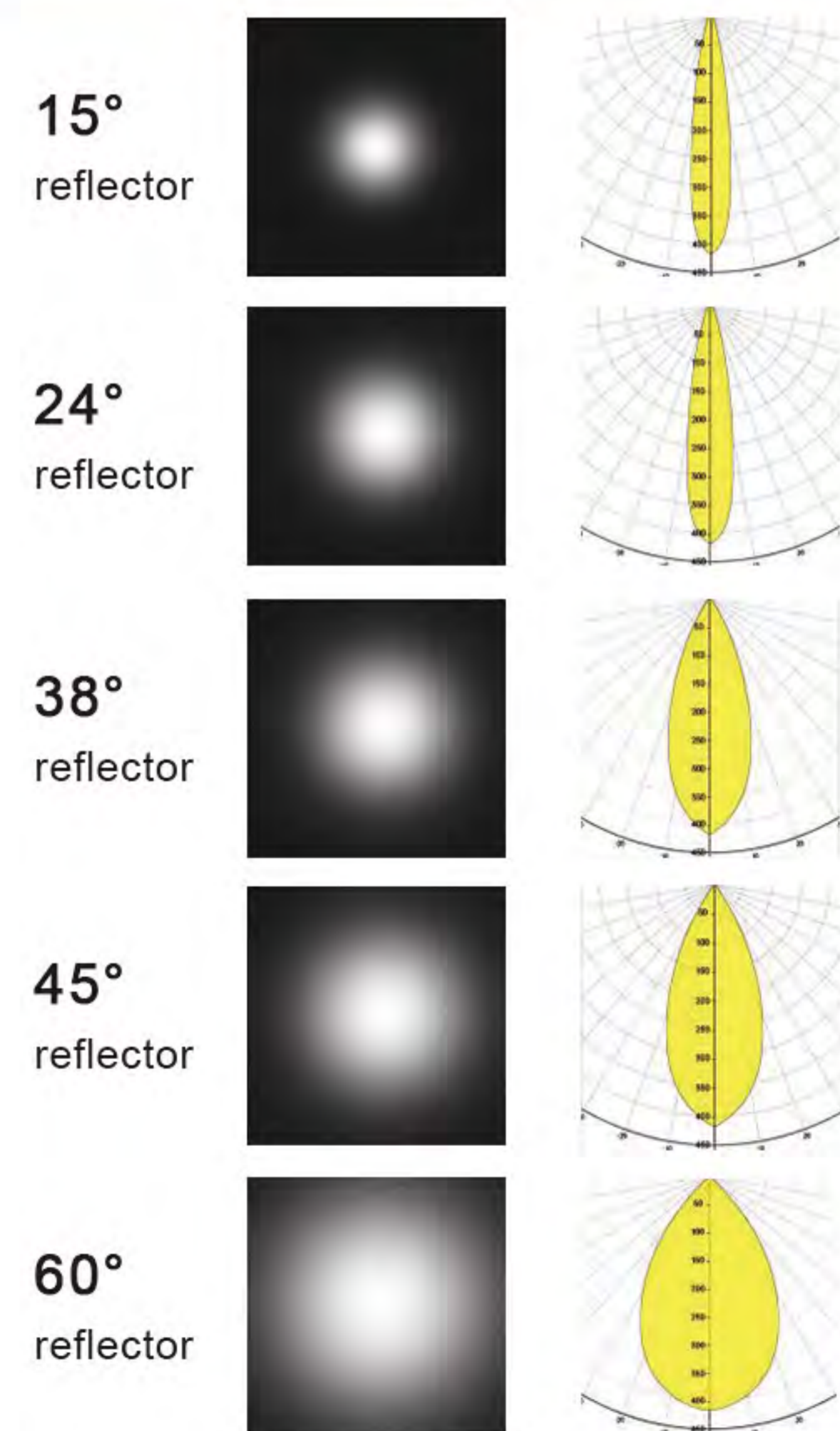
Category (品类)	Spot Light
Diffuser Material (扩散器材质)	Glass
Cover Material (面盖材质)	Aluminum
Operating mode (运行)	Built in
Steuerbar (开关)	On/Off
IP (防水等级)	65
Mounting type (安装类型)	Put
Mounting location (安装位置)	Wall mounted
Application environment (应用环境)	Indoor/Outdoor
Body color (表面颜色)	Black/Dark Gray/Sliver Gray



## Product Description (产品描述)

Suitable for villas, courtyards, terraces, gardens or neighborhoods and other landscapes; a variety of angles and a variety of power options to meet the different light and brightness; close to the flowers and shrubs can be illuminated, and the distance can be illuminated by medium-sized trees landscape.

## Beam Angle (光束角度)

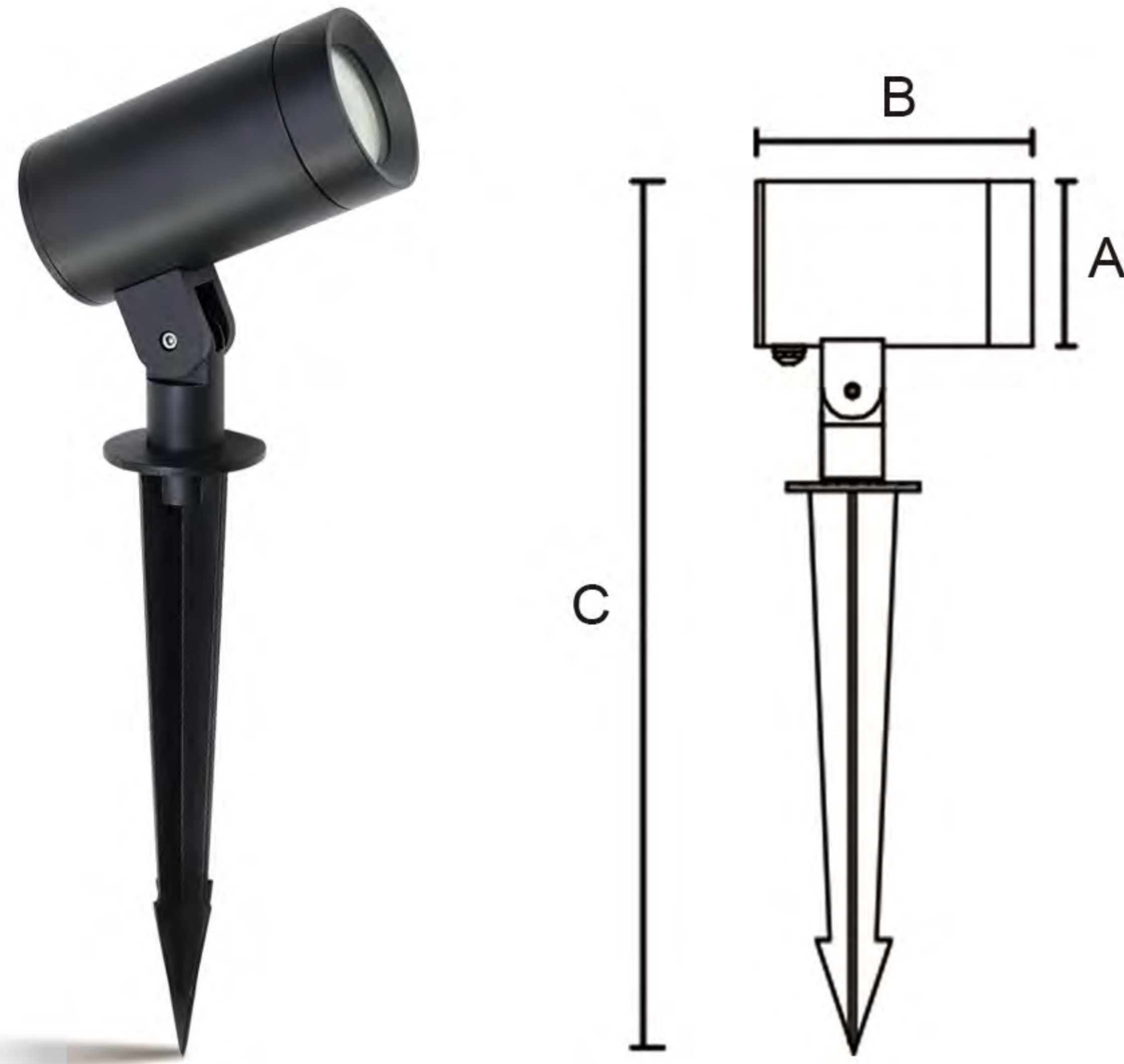


## Technical Date (技术参数)

Item No.	Lamp Type	Power	LM	CCT	PF	Voltage	CRI	A	B	C (mm)
MB18-616Z-64	LED	10W	700	2700K-6000K	0.6	AC110-265V	80-90	Ø64	183	173
MB18-616Z-76	LED	15W	1050	2700K-6000K	0.6	AC110-265V	80-90	Ø76	166	185
MB18-616Z-90	LED	20W	1400	2700K-6000K	0.95	AC110-265V	80-90	Ø90	170	200
MB18-616Z-108	LED	30W	2100	2700K-6000K	0.95	AC110-265V	80-90	Ø108	215	220
MB18-616Z-60	GU10/G5.3	-	-	-	-	-	-	Ø60	171	169



# MB18-617



## Features&Benefit (功能和优点)

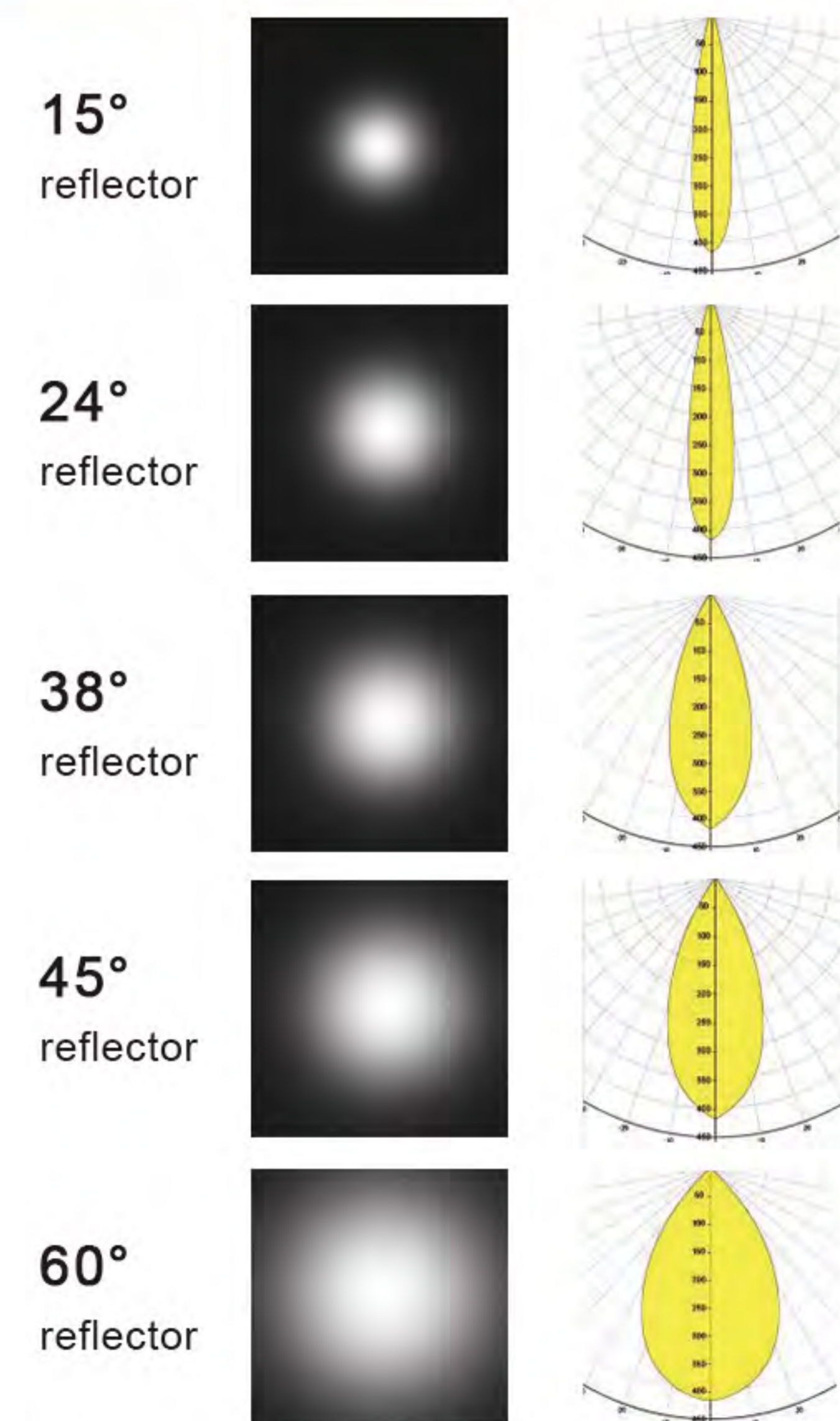
Category (品类)	Spot Light
Diffuser Material (扩散器材质)	Glass
Cover Material (面盖材质)	Aluminum
Operating mode (运行)	Built in
Steuerbar (开关)	On/Off
IP (防水等级)	65
Mounting type (安装类型)	Insert
Mounting location (安装位置)	Underground
Application environment (应用环境)	Indoor/Outdoor
Body color (表面颜色)	Black/Dark Gray/Sliver Gray



## Product Description (产品描述)

Suitable for villas, courtyards, terraces, gardens or neighborhoods and other landscapes; a variety of angles and a variety of power options to meet the different light and brightness; close to the flowers and shrubs can be illuminated, and the distance can be illuminated by medium-sized trees landscape.

## Beam Angle (光束角度)

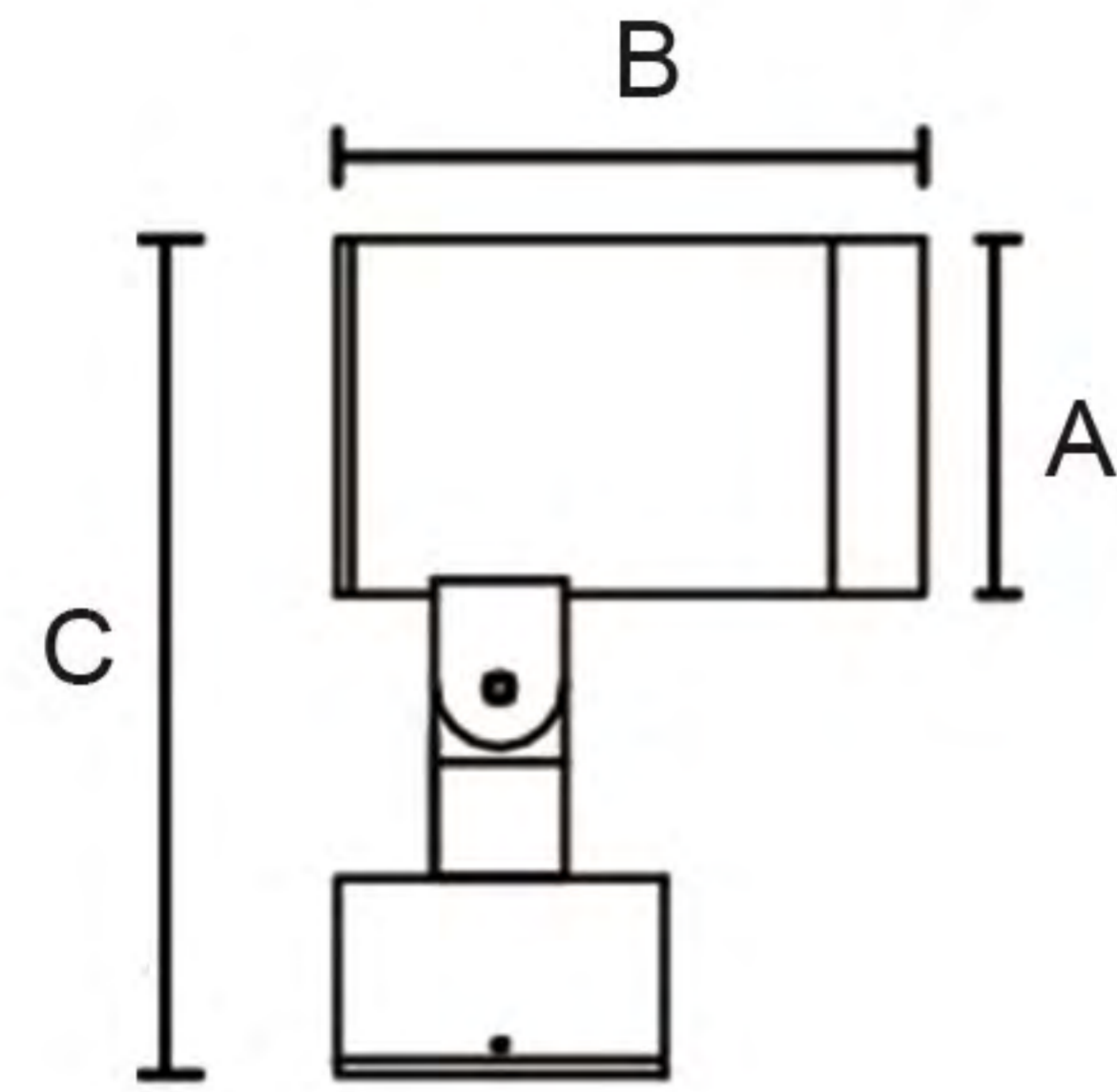


## Technical Date (技术参数)

Item No.	Lamp Type	Power	LM	CCT	PF	Voltage	CRI	A	B	C (mm)
MB18-617-64	LED	10W	700	2700K-6000K	0.6	AC110-265V	80-90	Ø64	125	398
MB18-617-76	LED	15W	1050	2700K-6000K	0.6	AC110-265V	80-90	Ø76	123	401
MB18-617-90	LED	20W	1400	2700K-6000K	0.95	AC110-265V	80-90	Ø90	123	415
MB18-617-108	LED	30W	2100	2700K-6000K	0.95	AC110-265V	80-90	Ø108	146	433
MB18-617-60	GU10/G5.3	-	-	-	-	-	-	Ø60	121	385



# MB18-617Z



## Features&Benefit (功能和优点)

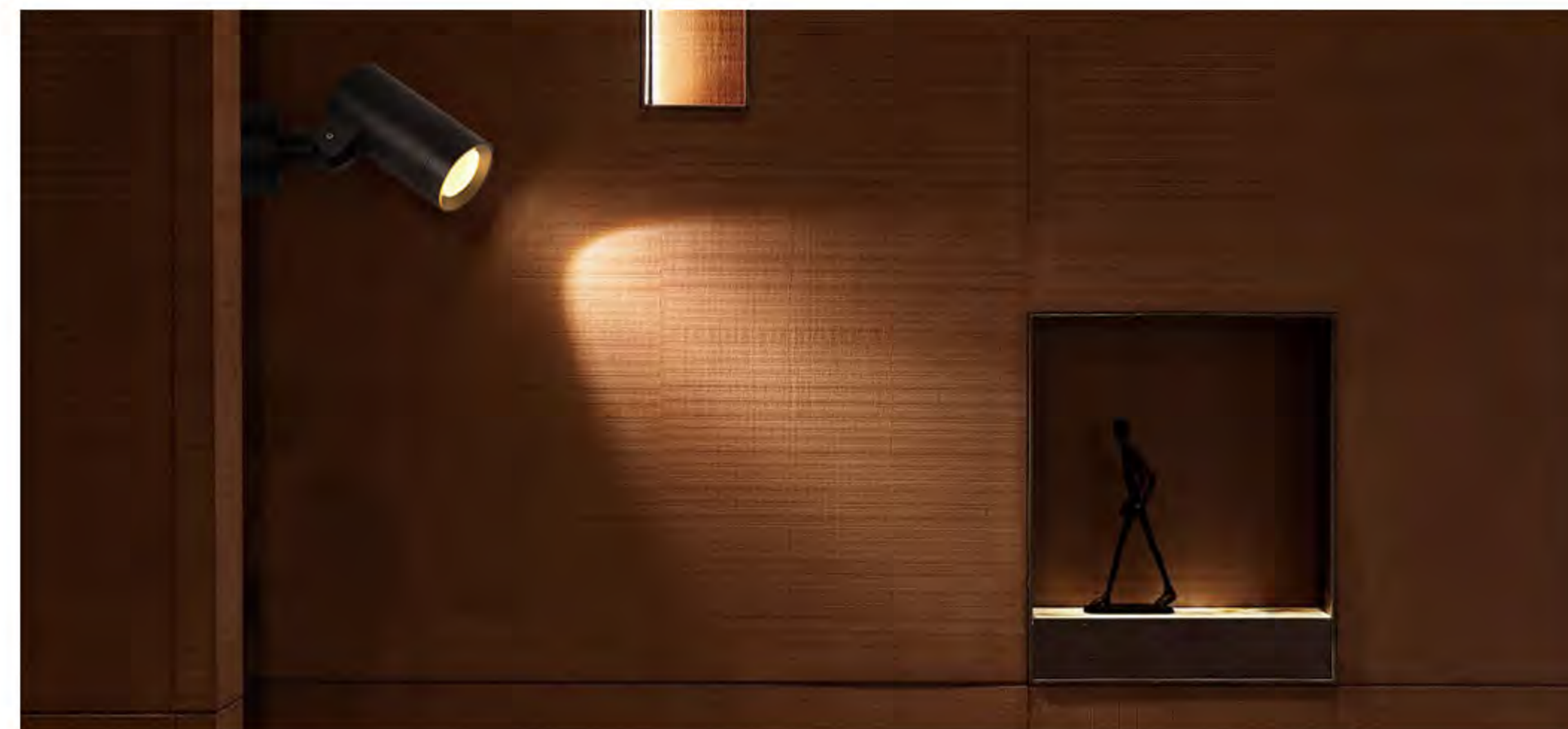
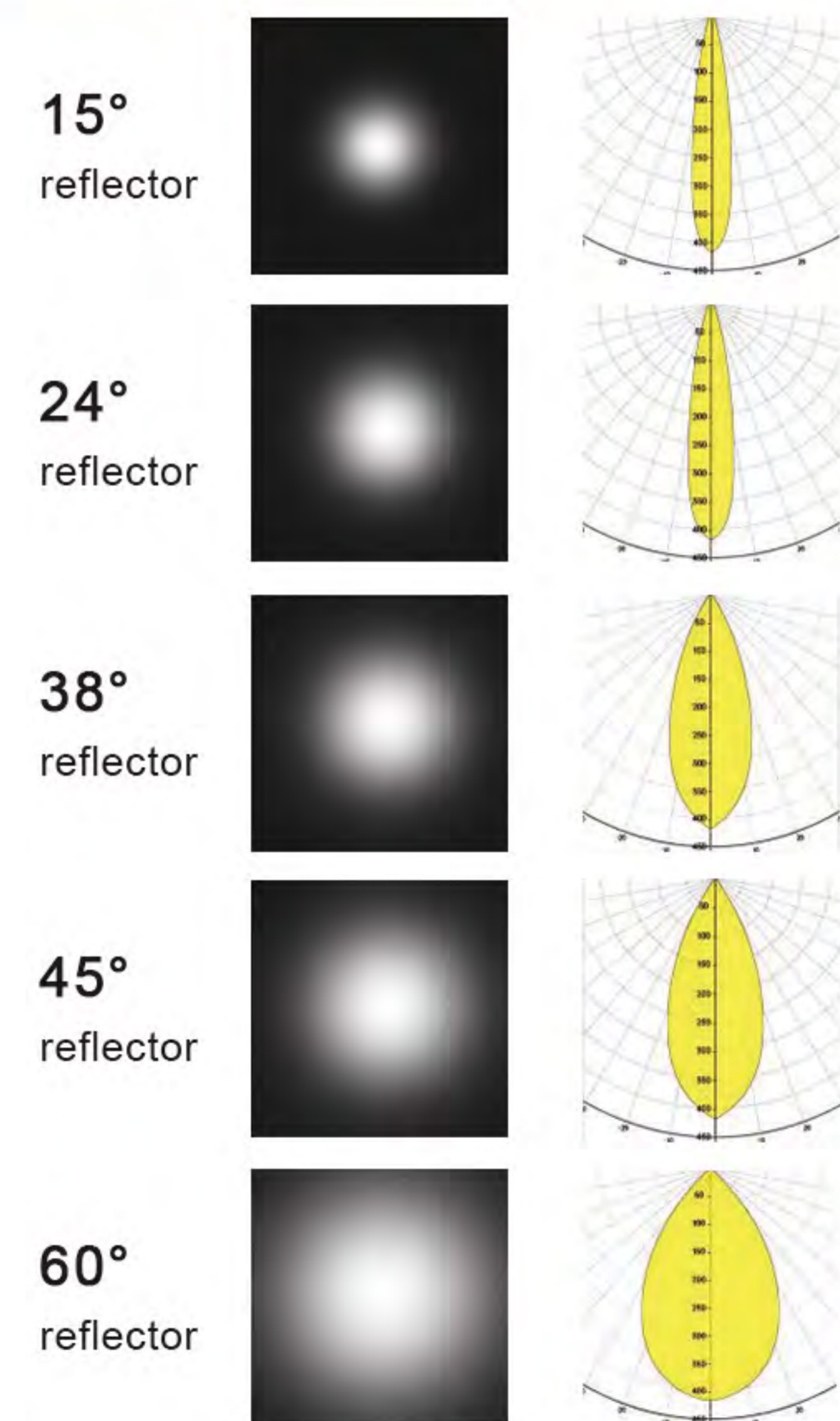
Category (品类)	Spot Light
Diffuser Material (扩散器材质)	Glass
Cover Material (面盖材质)	Aluminum
Operating mode (运行)	Built in
Steuerbar (开关)	On/Off
IP (防水等级)	65
Mounting type (安装类型)	Put
Mounting location (安装位置)	Wall mounted
Application environment (应用环境)	Indoor/Outdoor
Body color (表面颜色)	Black/Dark Gray/Sliver Gray



## Product Description (产品描述)

Suitable for villas, courtyards, terraces, gardens or neighborhoods and other landscapes; a variety of angles and a variety of power options to meet the different light and brightness; close to the flowers and shrubs can be illuminated, and the distance can be illuminated by medium-sized trees landscape.

## Beam Angle (光束角度)

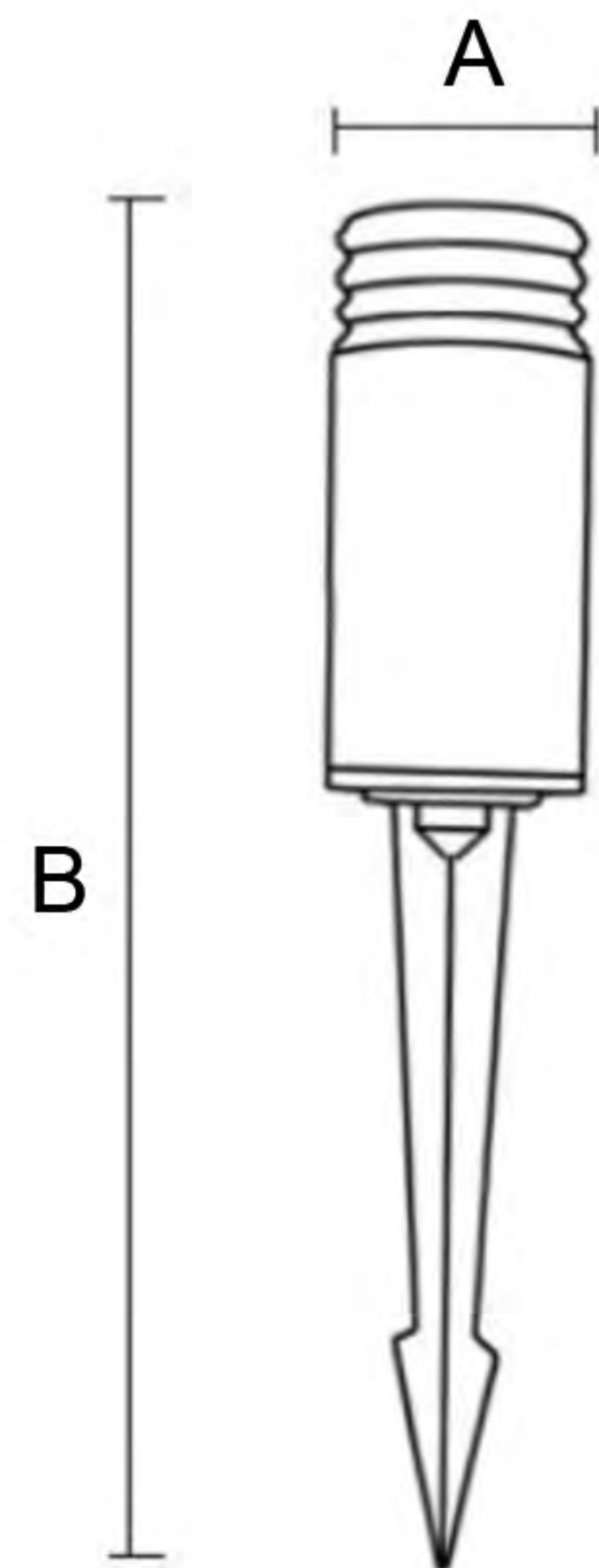


## Technical Date (技术参数)

Item No.	Lamp Type	Power	LM	CCT	PF	Voltage	CRI	A	B	C (mm)
MB18-617Z-64	LED	10W	700	2700K-6000K	0.6	AC110-265V	80-90	Ø64	125	173
MB18-617Z-76	LED	15W	1050	2700K-6000K	0.6	AC110-265V	80-90	Ø76	123	185
MB18-617Z-90	LED	20W	1400	2700K-6000K	0.95	AC110-265V	80-90	Ø90	123	200
MB18-617Z-108	LED	30W	2100	2700K-6000K	0.95	AC110-265V	80-90	Ø108	146	220
MB18-617Z-60	GU10/G5.3	-	-	-	-	-	-	Ø60	121	169



# MB-60129



## Features&Benefit (功能和优点)

Category (品类)	Spot Light
Diffuser Material (扩散器材质)	Acrylic
Cover Material (面盖材质)	Aluminum
Operating mode (运行)	Built in
Steuerbar (开关)	On/Off
IP (防水等级)	65
Mounting type (安装类型)	Insert
Mounting location (安装位置)	Underground
Application environment (应用环境)	Indoor/Outdoor
Body color (表面颜色)	Black/Dark Gray/Sliver Gray



## Product Description (产品描述)

Suitable for villas, courtyards, terraces, gardens or neighborhoods and other landscapes; a variety of angles and a variety of power options to meet the different light and brightness; close to the flowers and shrubs can be illuminated, and the distance can be illuminated by medium-sized trees landscape.

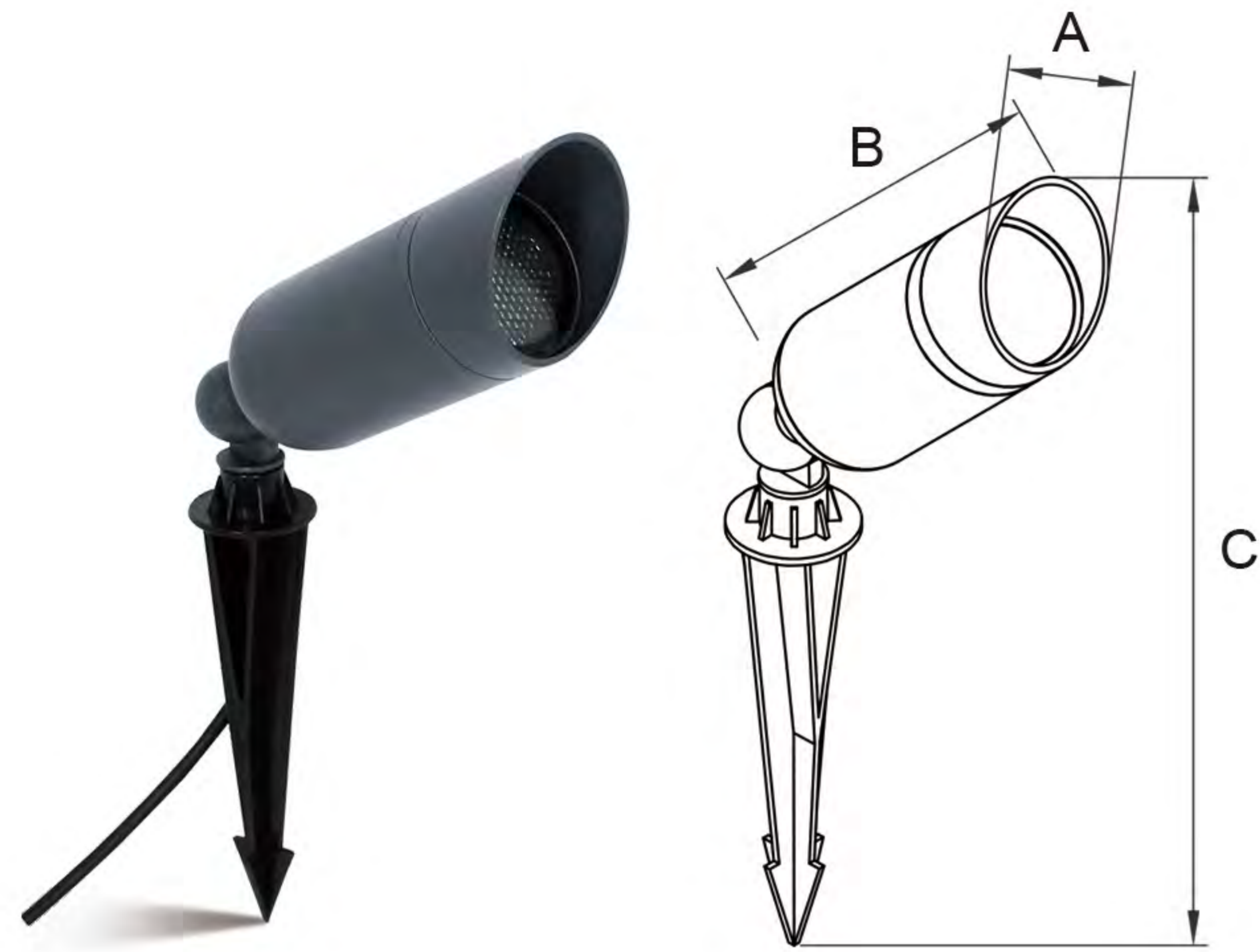


## Technical Date (技术参数)

Item No.	Lamp Type	Power	LM	CCT	PF	Voltage	CRI	A	B	C (mm)
MB-60129S	LED	3W	210	2700K-6000K	0.6	AC110-265V	80-90	Ø50	120	340
MB-60129L	LED	5W	350	2700K-6000K	0.6	AC110-265V	80-90	Ø65	140	360
MB-60129L	GU10/G5.3	-	-	-	-	-	-	Ø65	140	360



# MB23-0101



## Features&Benefit (功能和优点)

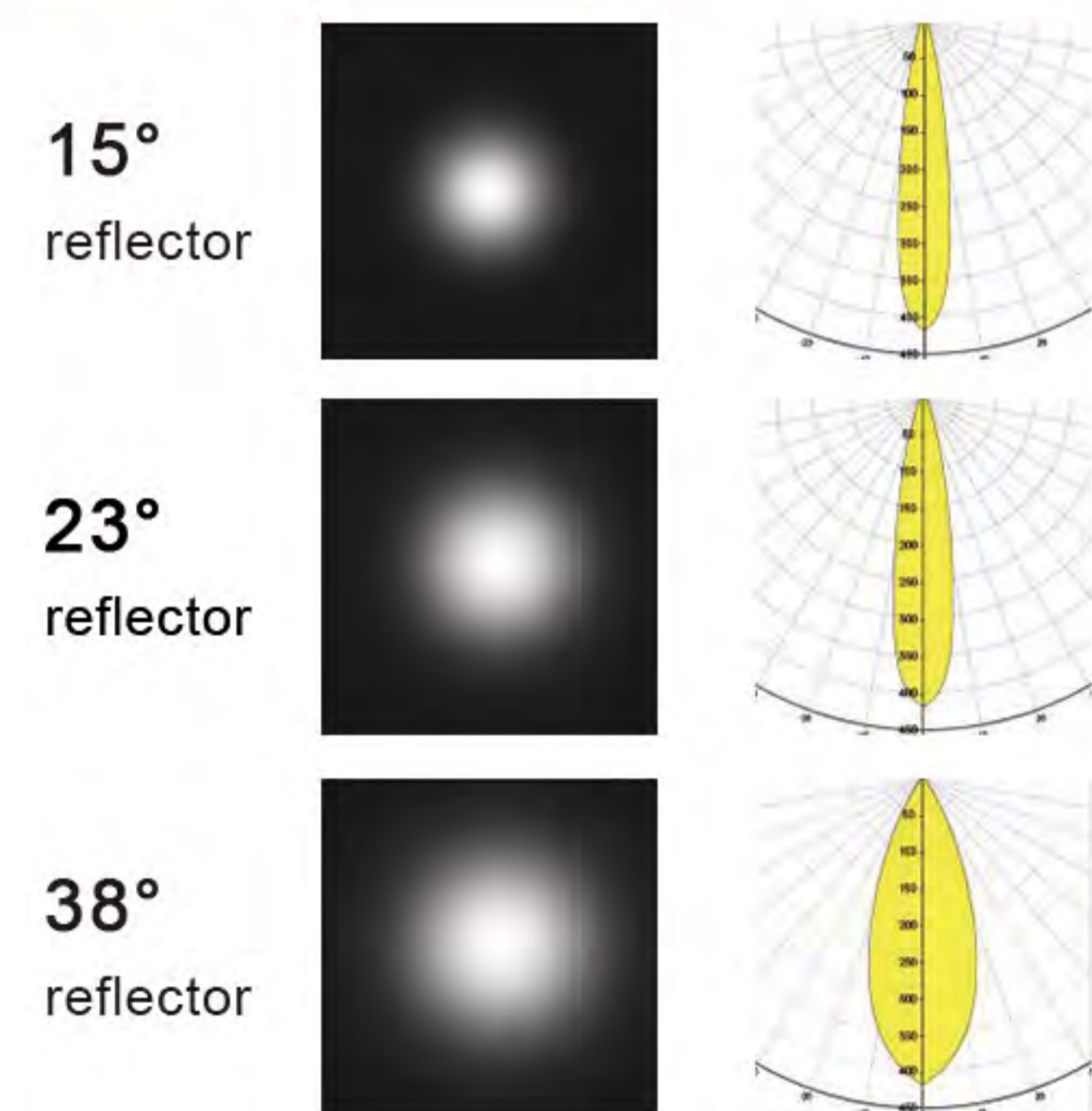
Category (品类)	Spot Light
Diffuser Material (扩散器材质)	Glass
Cover Material (面盖材质)	Aluminum
Operating mode (运行)	Built in
Steuerbar (开关)	On/Off
IP (防水等级)	65
Mounting type (安装类型)	Insert
Mounting location (安装位置)	Underground
Application environment (应用环境)	Indoor/Outdoor
Body color (表面颜色)	Black/Dark Gray/Sliver Gray



## Product Description (产品描述)

Suitable for villas, courtyards, terraces, gardens or neighborhoods and other landscapes; a variety of angles and a variety of power options to meet the different light and brightness; close to the flowers and shrubs can be illuminated, and the distance can be illuminated by medium-sized trees landscape.

## Beam Angle (光束角度)

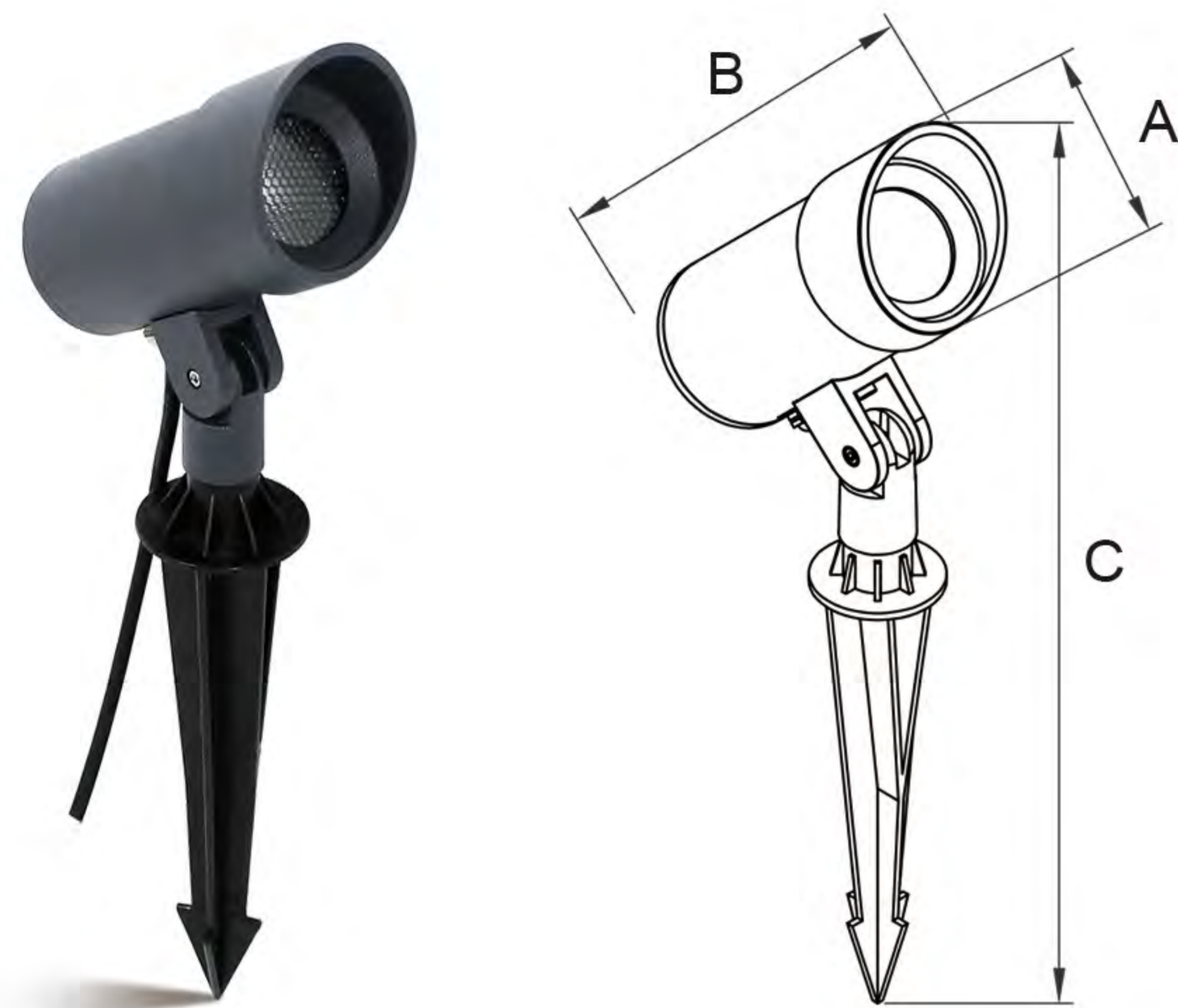


## Technical Date (技术参数)

Item No.	Lamp Type	Power	LM	CCT	PF	Voltage	CRI	A	B	C (mm)
MB23-010150	LED	5W	350	2700K-6000K	0.6	AC110-265V	80-90	Ø50	183	250
MB23-010163	LED	10W	700	2700K-6000K	0.6	AC110-265V	80-90	Ø63	183	262
MB23-010160	GU10/G5.3	-	-	-	-	-	-	Ø60	183	262



# MB23-0102



## Features&Benefit (功能和优点)

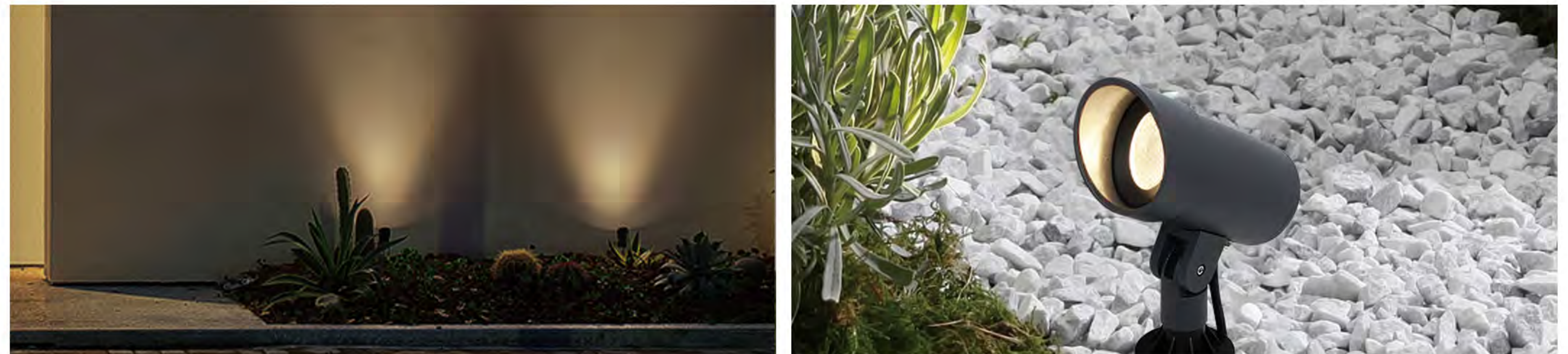
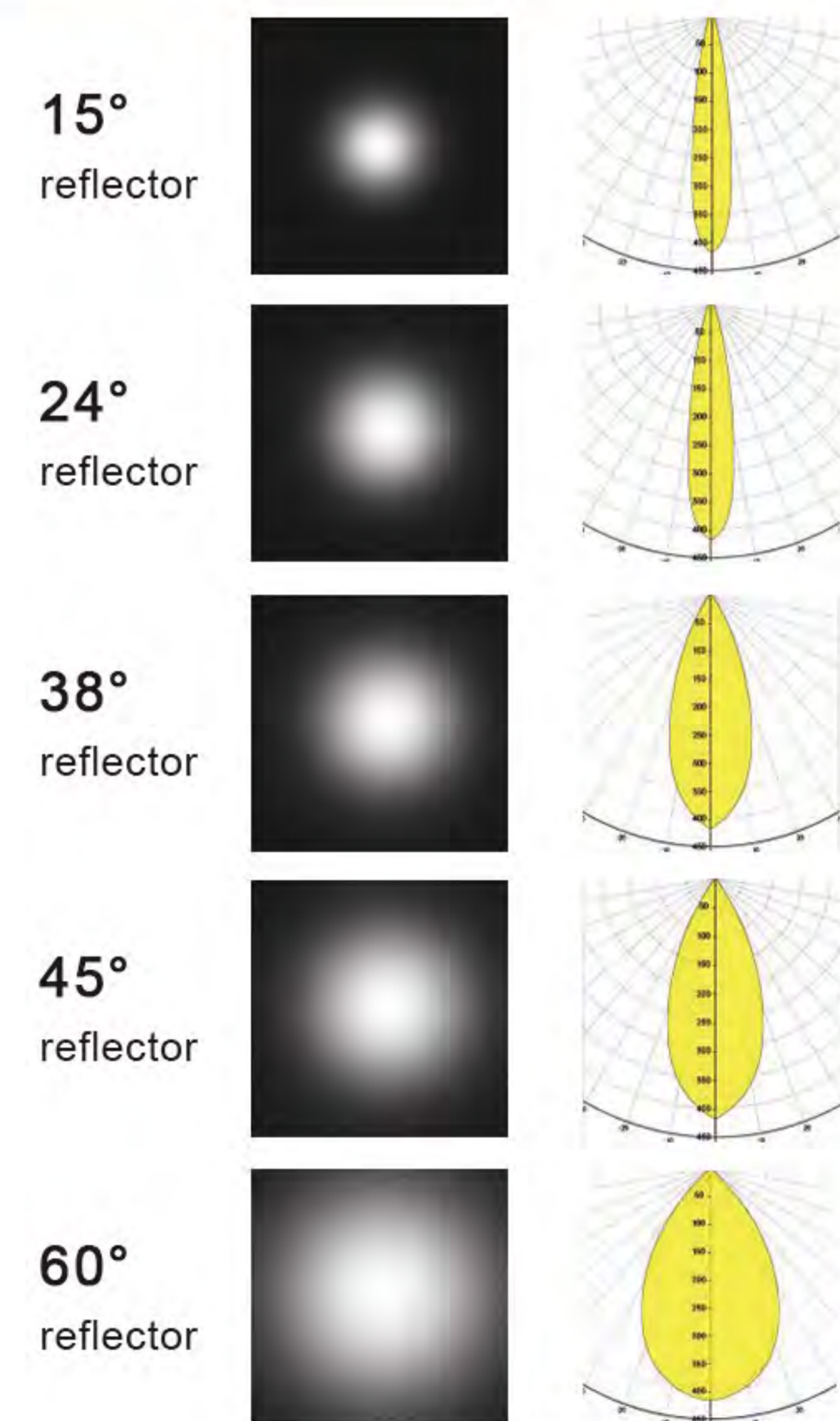
Category (品类)	Spot Light
Diffuser Material (扩散器材质)	Glass
Cover Material (面盖材质)	Aluminum
Operating mode (运行)	Built in
Steuerbar (开关)	On/Off
IP (防水等级)	65
Mounting type (安装类型)	Insert
Mounting location (安装位置)	Underground
Application environment (应用环境)	Indoor/Outdoor
Body color (表面颜色)	Black/Dark Gray/Sliver Gray



## Product Description (产品描述)

Suitable for villas, courtyards, terraces, gardens or neighborhoods and other landscapes; a variety of angles and a variety of power options to meet the different light and brightness; close to the flowers and shrubs can be illuminated, and the distance can be illuminated by medium-sized trees landscape.

## Beam Angle (光束角度)

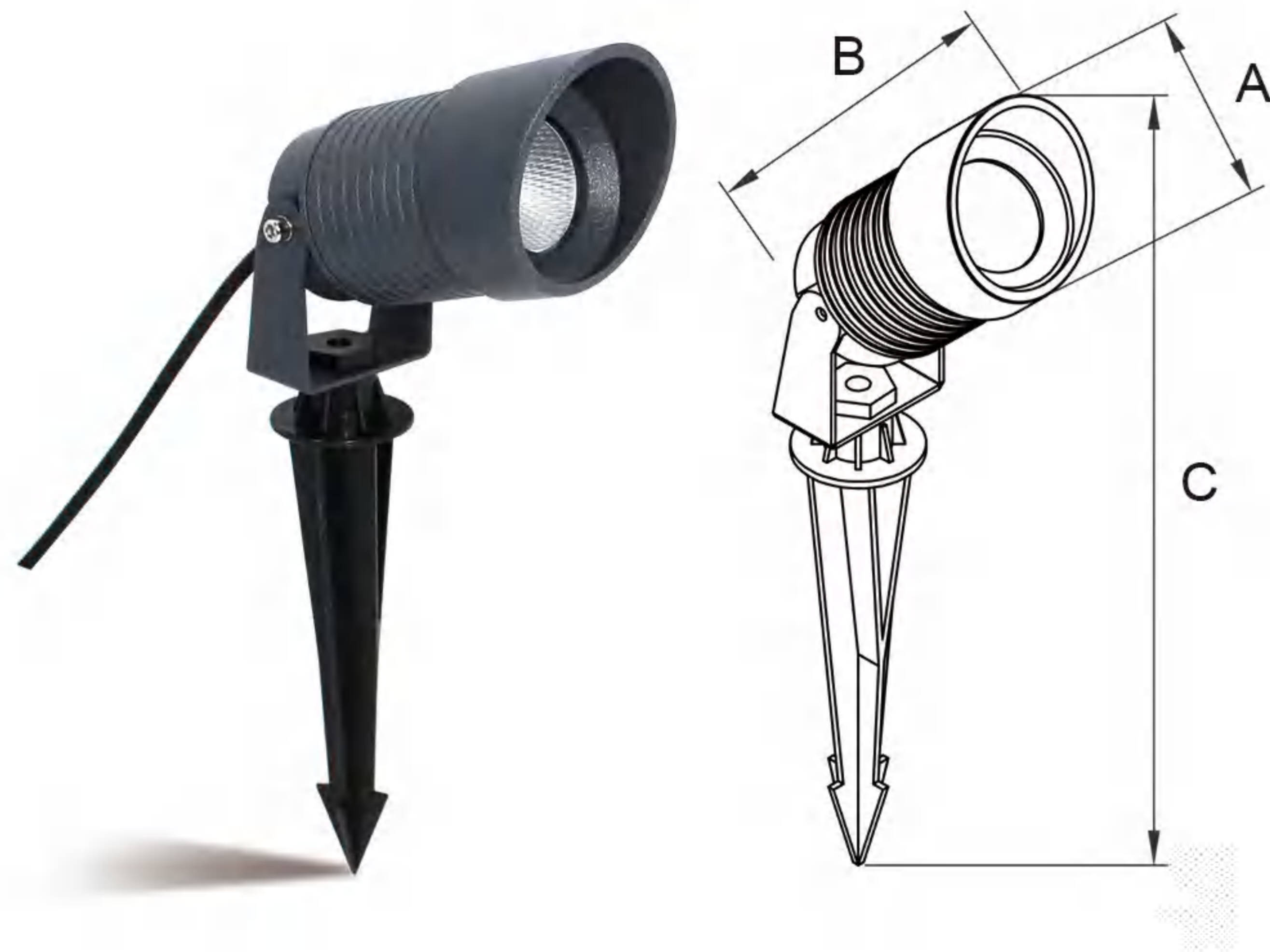


## Technical Date (技术参数)

Item No.	Lamp Type	Power	LM	CCT	PF	Voltage	CRI	A	B	C (mm)
MB23-010270	LED	10W	700	2700K-6000K	0.6	AC110-265V	80-90	Ø70	132	312
MB23-010280	LED	15W	1050	2700K-6000K	0.6	AC110-265V	80-90	Ø80	164	377
MB23-010295	LED	20W	1400	2700K-6000K	0.95	AC110-265V	80-90	Ø95	165	400
MB23-010266	GU10/G5.3	-	-	-	-	-	-	Ø66	132	312



# MB23-0103



## Features&Benefit (功能和优点)

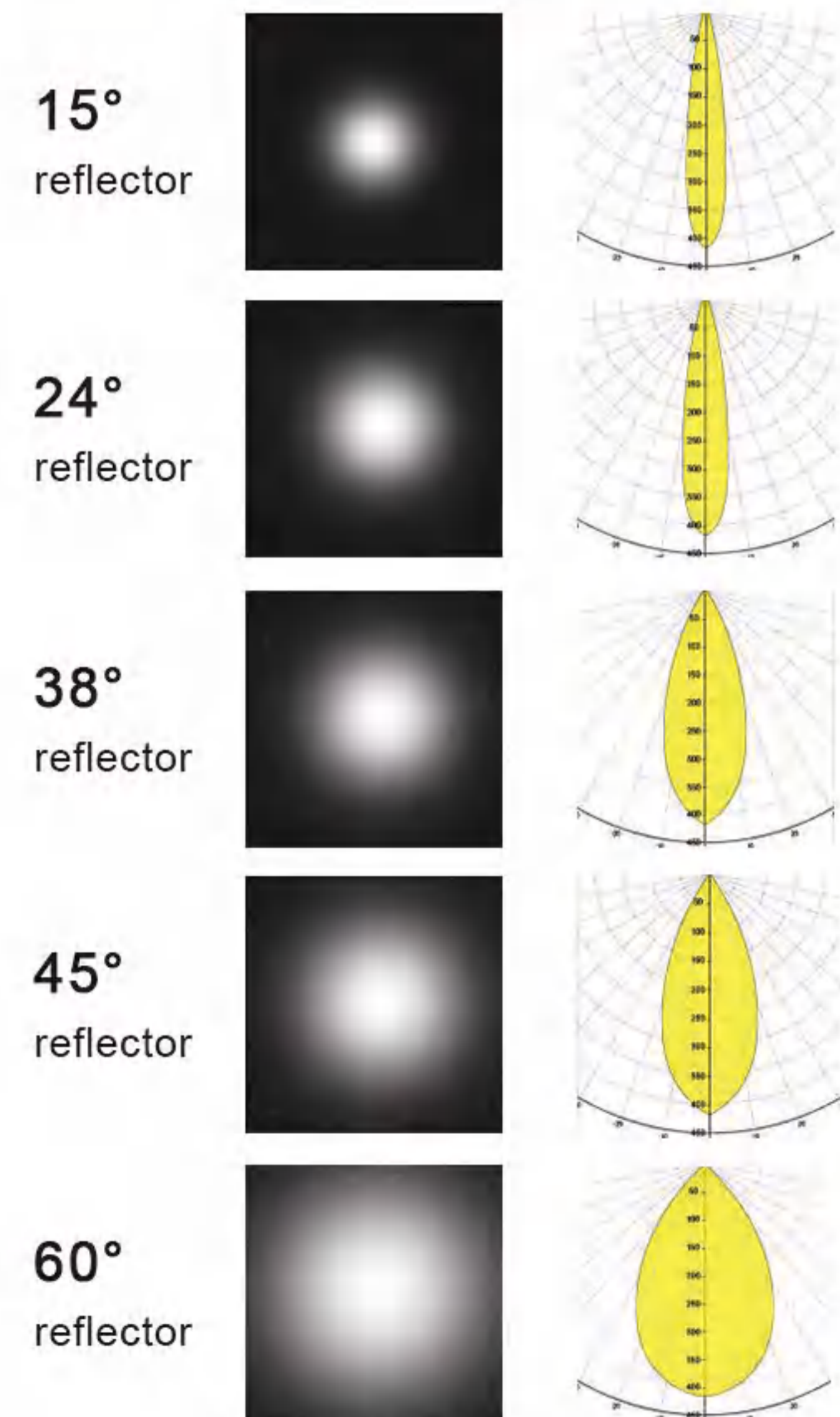
Category (品类)	Spot Light
Diffuser Material (扩散器材质)	Glass
Cover Material (面盖材质)	Aluminum
Operating mode (运行)	Built in
Steuerbar (开关)	On/Off
IP (防水等级)	65
Mounting type (安装类型)	Insert
Mounting location (安装位置)	Underground
Application environment (应用环境)	Indoor/Outdoor
Body color (表面颜色)	Black/Dark Gray/Sliver Gray



## Product Description (产品描述)

Suitable for villas, courtyards, terraces, gardens or neighborhoods and other landscapes; a variety of angles and a variety of power options to meet the different light and brightness; close to the flowers and shrubs can be illuminated, and the distance can be illuminated by medium-sized trees landscape.

## Beam Angle (光束角度)

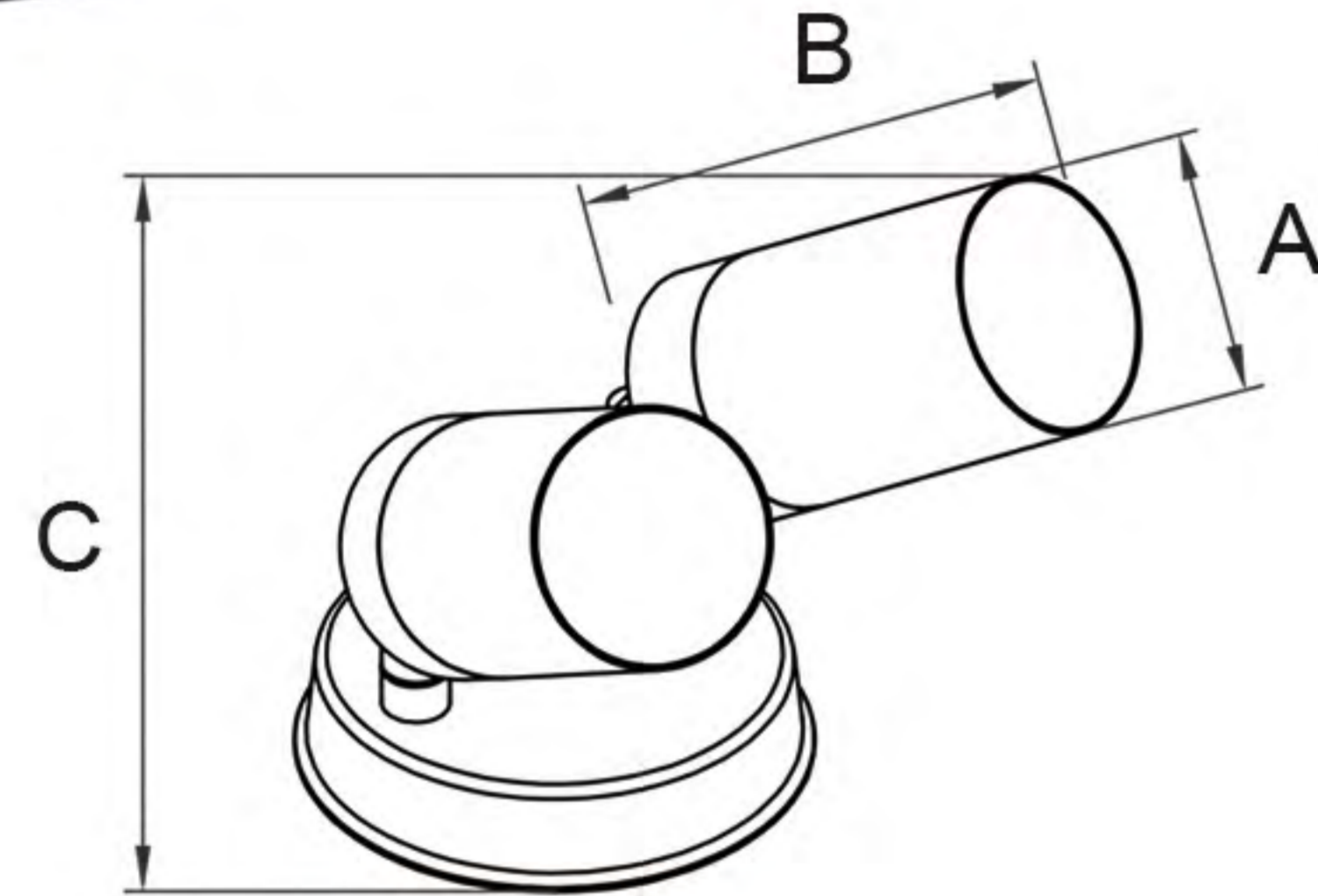


## Technical Date (技术参数)

Item No.	Lamp Type	Power	LM	CCT	PF	Voltage	CRI	A	B	C (mm)
MB23-010354	LED	5W	350	2700K-6000K	0.6	AC110-265V	80-90	Ø54	110	294
MB23-010370	LED	10W	700	2700K-6000K	0.6	AC110-265V	80-90	Ø70	132	312
MB23-010380	LED	15W	1050	2700K-6000K	0.6	AC110-265V	80-90	Ø80	164	377
MB23-010395	LED	20W	1400	2700K-6000K	0.95	AC110-265V	80-90	Ø95	165	400
MB23-010366	GU10/G5.3	-	-	-	-	-	-	Ø66	132	312



# MB23-0108



## Features&Benefit (功能和优点)

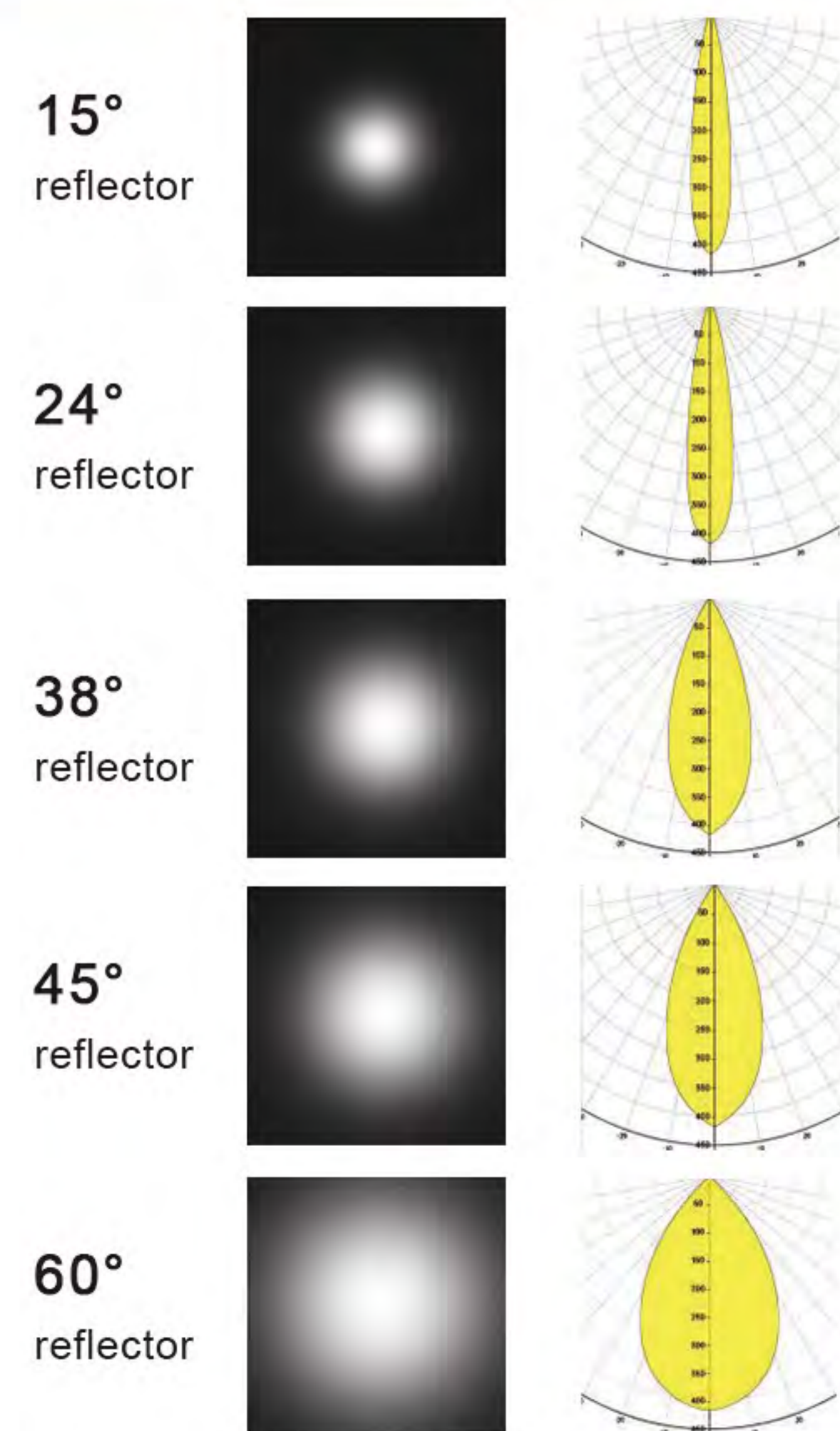
Category (品类)	Spot Light
Diffuser Material (扩散器材质)	Glass
Cover Material (面盖材质)	Aluminum
Operating mode (运行)	Built in
Steuerbar (开关)	On/Off
IP (防水等级)	65
Mounting type (安装类型)	Put
Mounting location (安装位置)	Wall mounted
Application environment (应用环境)	Indoor/Outdoor
Body color (表面颜色)	Black/Dark Gray/Sliver Gray



## Product Description (产品描述)

Suitable for villas, courtyards, terraces, gardens or neighborhoods and other landscapes; a variety of angles and a variety of power options to meet the different light and brightness; close to the flowers and shrubs can be illuminated, and the distance can be illuminated by medium-sized trees landscape.

## Beam Angle (光束角度)

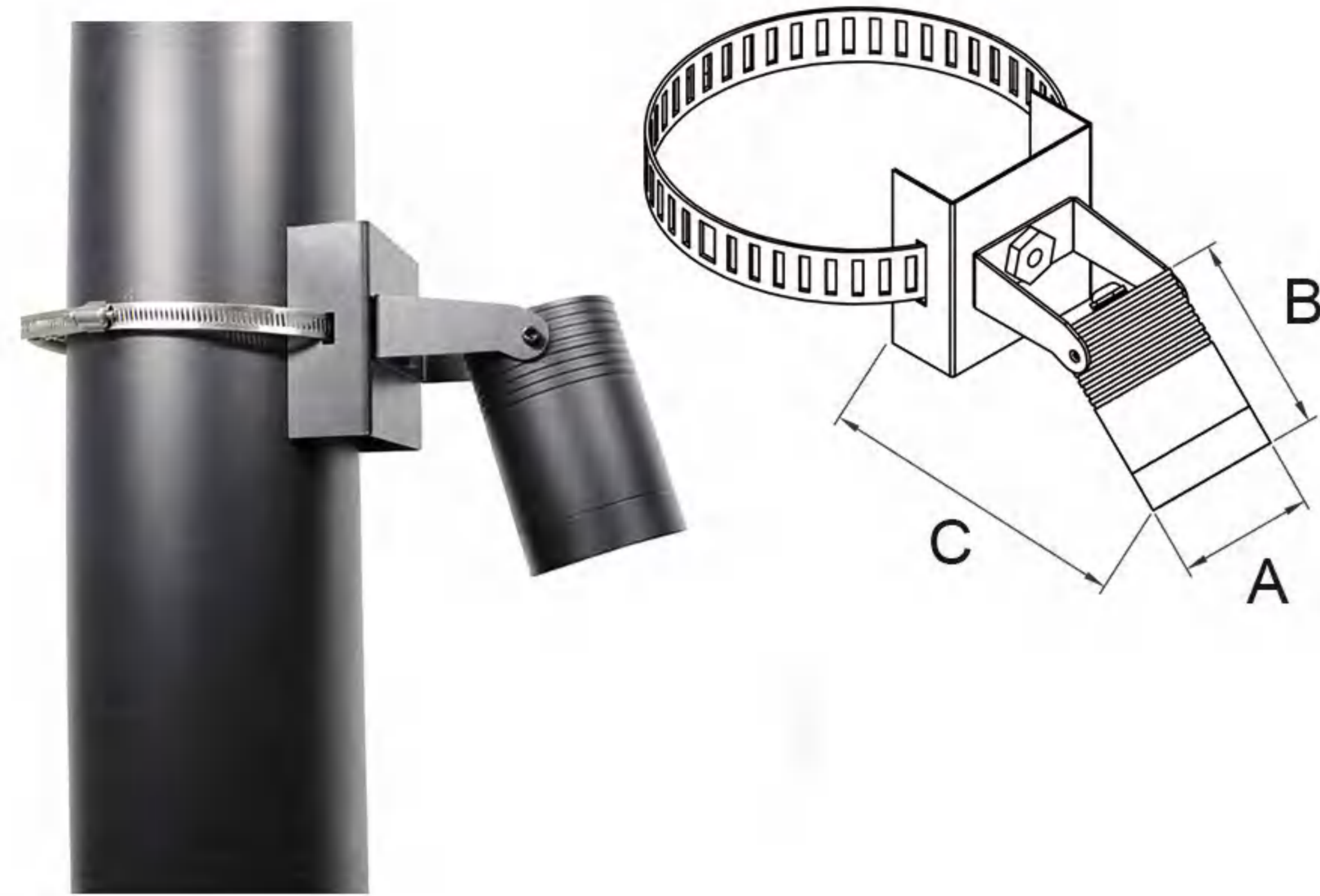


## Technical Date (技术参数)

Item No.	Lamp Type	Power	LM	CCT	PF	Voltage	CRI	A	B	C (mm)
MB23-0108	LED	2*10W	1400	2700K-6000K	0.6	AC110-265V	80-90	Ø58	100	94
MB23-0108	GU10/G5.3	-	-	-	-	-	-	Ø58	100	94



# MB23-0109



## Features&Benefit (功能和优点)

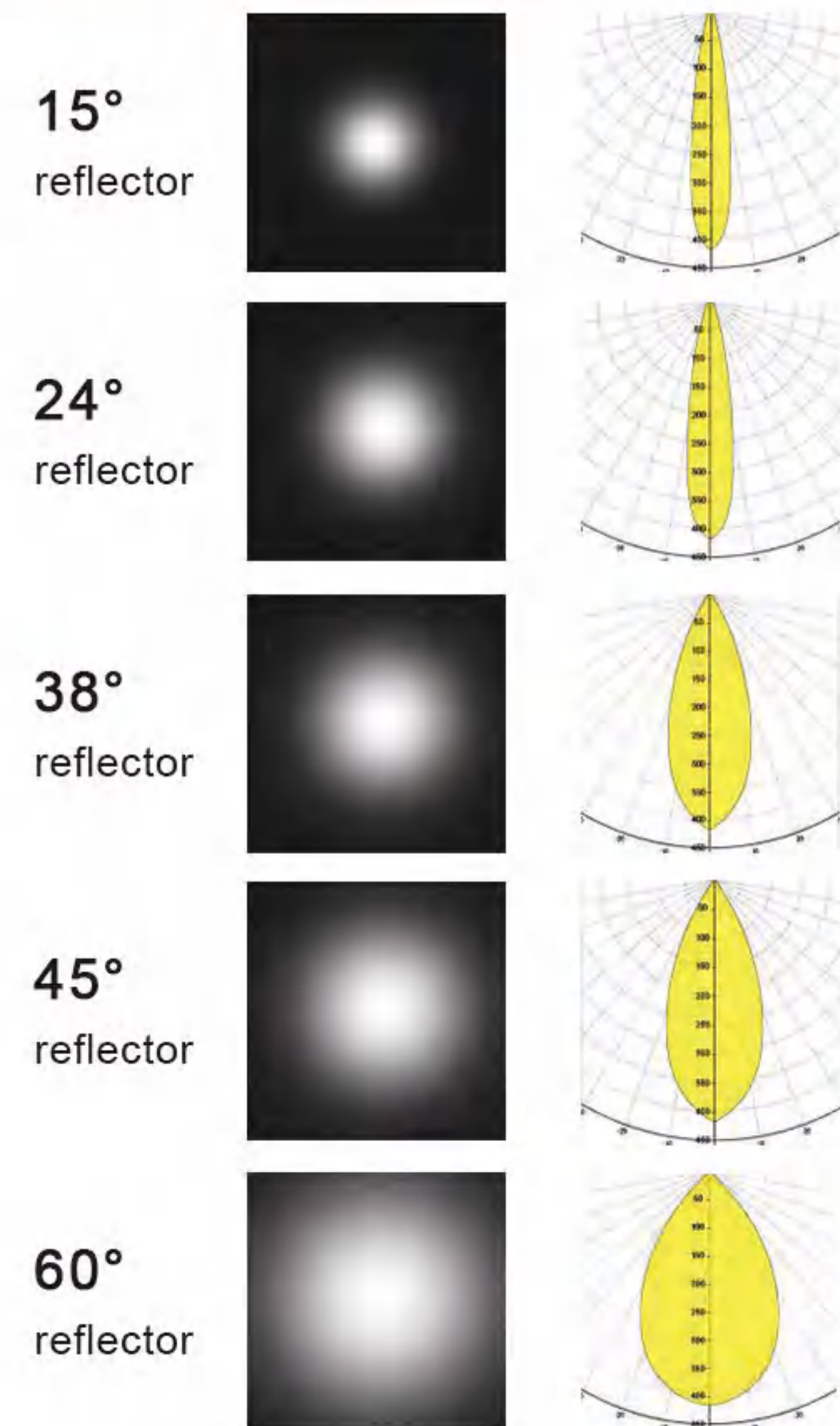
Category (品类)	Spot Light
Diffuser Material (扩散器材质)	Glass
Cover Material (面盖材质)	Aluminum
Operating mode (运行)	Built in
Steuerbar (开关)	On/Off
IP (防水等级)	65
Mounting type (安装类型)	Hoop
Mounting location (安装位置)	Column
Application environment (应用环境)	Indoor/Outdoor
Body color (表面颜色)	Black/Dark Gray/Sliver Gray



## Product Description (产品描述)

Suitable for villas, courtyards, terraces, gardens or neighborhoods and other landscapes; a variety of angles and a variety of power options to meet the different light and brightness; close to the flowers and shrubs can be illuminated, and the distance can be illuminated by medium-sized trees landscape.

## Beam Angle (光束角度)

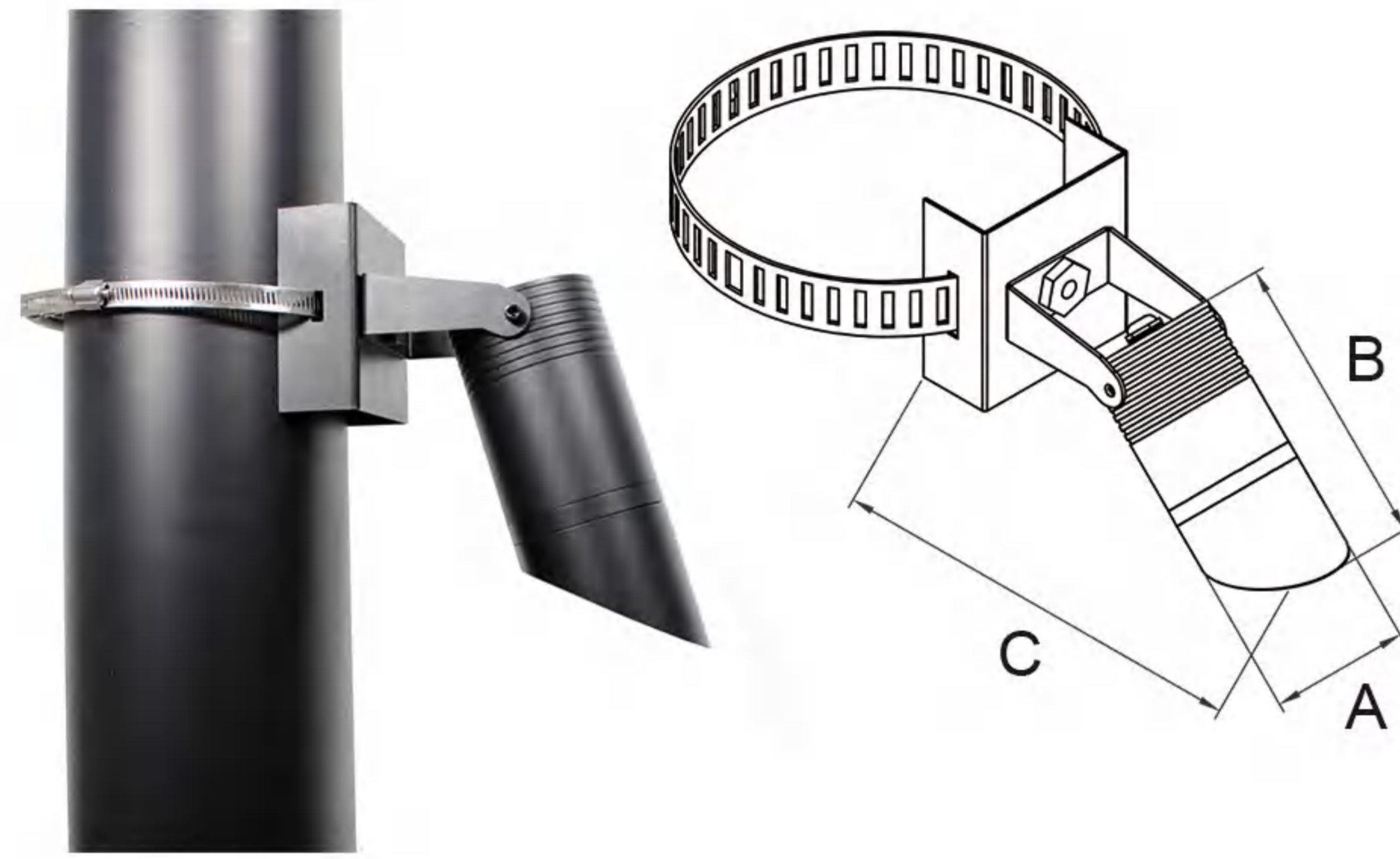


## Technical Date (技术参数)

Item No.	Lamp Type	Power	LM	CCT	PF	Voltage	CRI	A	B	C (mm)
MB23-010950	LED	5W	350	2700K-6000K	0.6	AC110-265V	80-90	Ø50	94	122
MB23-010964	LED	10W	700	2700K-6000K	0.6	AC110-265V	80-90	Ø64	105	140
MB23-010976	LED	15W	1050	2700K-6000K	0.6	AC110-265V	80-90	Ø76	123	152
MB23-010990	LED	20W	1400	2700K-6000K	0.95	AC110-265V	80-90	Ø90	123	178
MB23-0109108	LED	30W	2100	2700K-6000K	0.95	AC110-265V	80-90	Ø108	146	190
MB23-010964	GU10/G5.3	-	-	-	-	-	-	Ø60	94	140



# MB23-0110



## Features&Benefit (功能和优点)

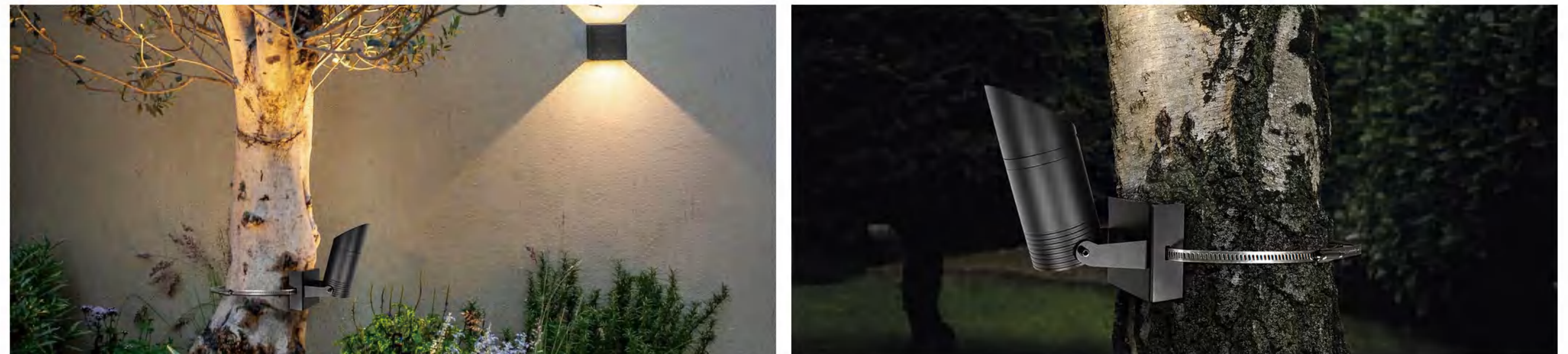
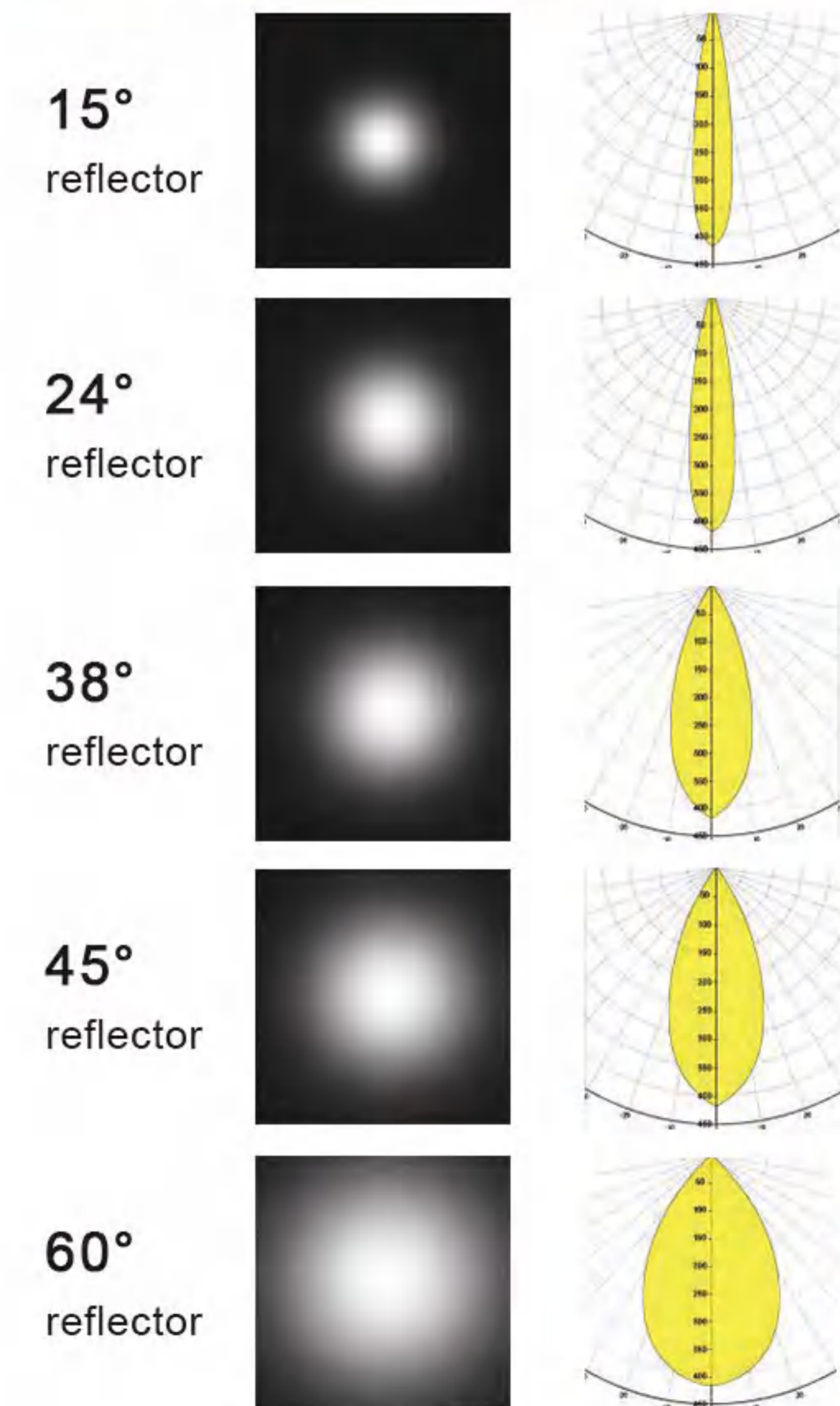
Category (品类)	Spot Light
Diffuser Material (扩散器材质)	Glass
Cover Material (面盖材质)	Aluminum
Operating mode (运行)	Built in
Steuerbar (开关)	On/Off
IP (防水等级)	65
Mounting type (安装类型)	Hoop
Mounting location (安装位置)	Column
Application environment (应用环境)	Indoor/Outdoor
Body color (表面颜色)	Black/Dark Gray/Sliver Gray



## Product Description (产品描述)

Suitable for villas, courtyards, terraces, gardens or neighborhoods and other landscapes; a variety of angles and a variety of power options to meet the different light and brightness; close to the flowers and shrubs can be illuminated, and the distance can be illuminated by medium-sized trees landscape.

## Beam Angle (光束角度)



## Technical Date (技术参数)

Item No.	Lamp Type	Power	LM	CCT	PF	Voltage	CRI	A	B	C (mm)
MB23-011050	LED	5W	350	2700K-6000K	0.6	AC110-265V	80-90	Ø50	127	122
MB23-011064	LED	10W	700	2700K-6000K	0.6	AC110-265V	80-90	Ø64	146	140
MB23-011076	LED	15W	1050	2700K-6000K	0.6	AC110-265V	80-90	Ø76	166	152
MB23-011090	LED	20W	1400	2700K-6000K	0.95	AC110-265V	80-90	Ø90	170	178
MB23-0110108	LED	30W	2100	2700K-6000K	0.95	AC110-265V	80-90	Ø108	215	190
MB23-011064	GU10/G5.3	-	-	-	-	-	-	Ø60	144	140



# MB23-0113



## Features&Benefit (功能和优点)

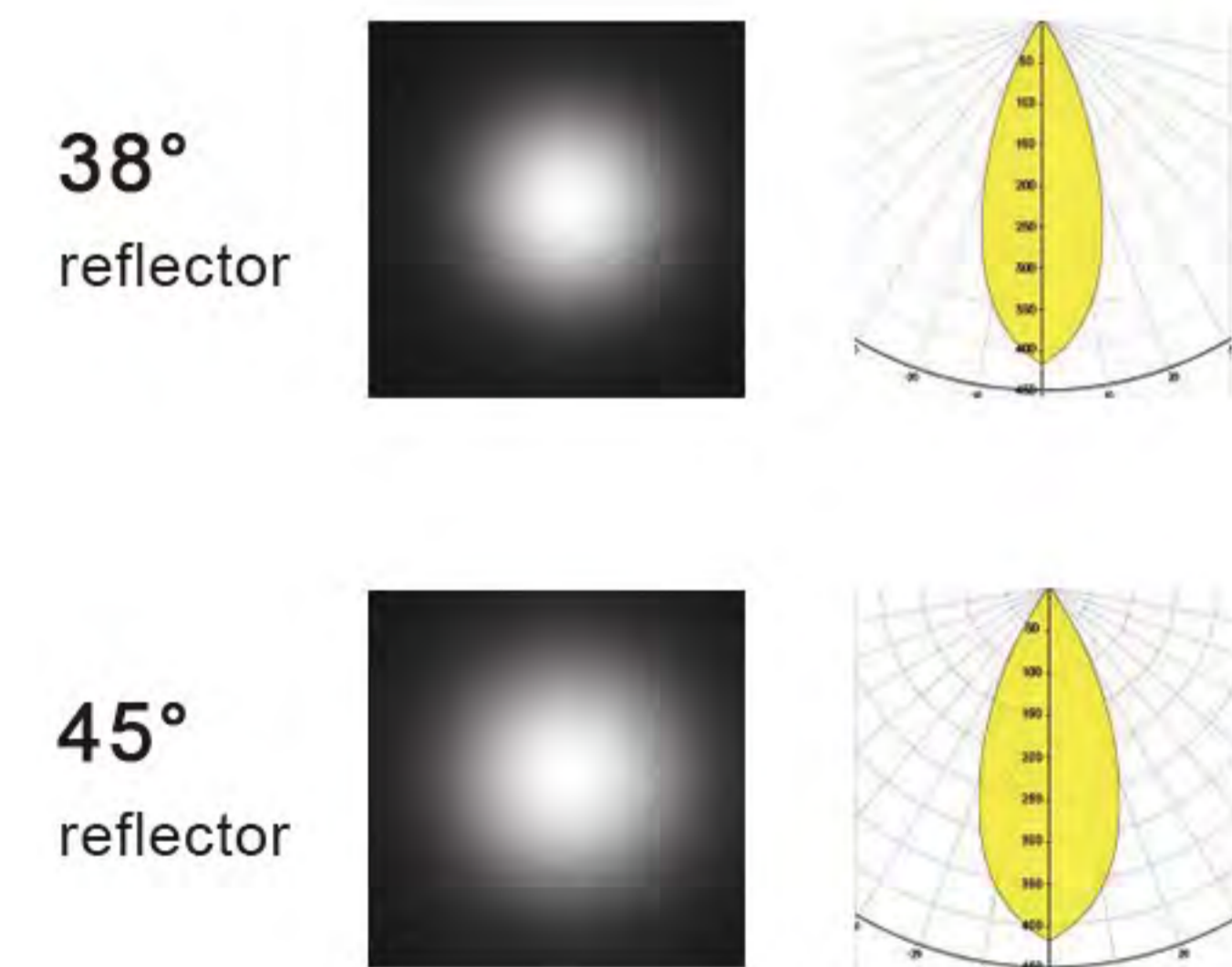
Category (品类)	Spot Light
Diffuser Material (扩散器材质)	Glass
Cover Material (面盖材质)	Aluminum
Operating made (运行)	Built in
Steuerbar (开关)	On/Off
IP (防水等级)	65
Mounting type (安装类型)	Insert
Mounting location (安装位置)	Underground
Application environment (应用环境)	Indoor/Outdoor
Body color (表面颜色)	Black/Dark Gray/Sliver Gray



## Product Description (产品描述)

Suitable for villas, courtyards, terraces, gardens or neighborhoods and other landscapes; a variety of angles and a variety of power options to meet the different light and brightness; close to the flowers and shrubs can be illuminated, and the distance can be illuminated by medium-sized trees landscape.

## Beam Angle (光束角度)

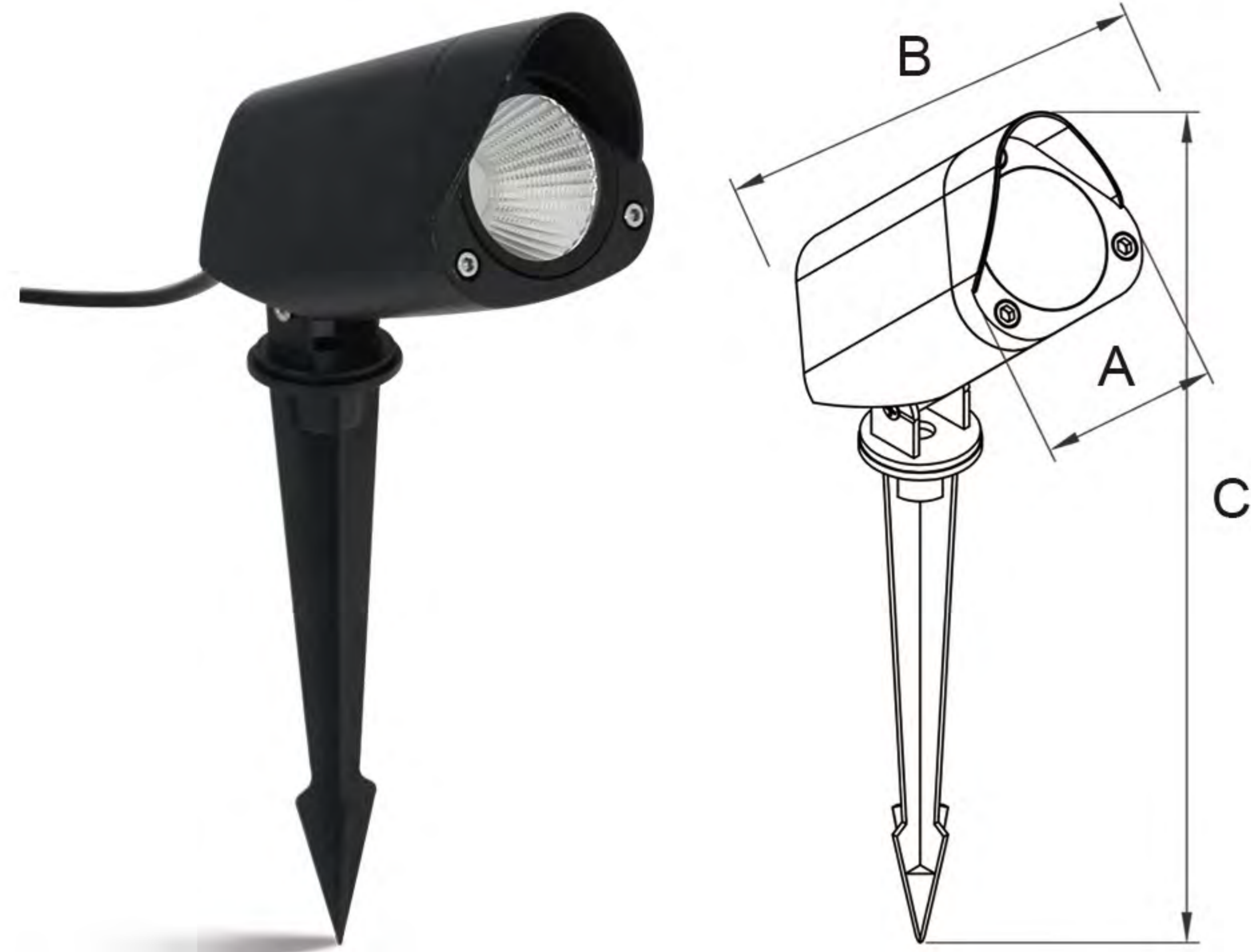


## Technical Date (技术参数)

Item No.	Lamp Type	Power	LM	CCT	PF	Voltage	CRI	A	B	C (mm)
MB23-0113	LED	10W	700	2700K-6000K	0.6	AC110-265V	80-90	Ø73	110	380



# MB23-0114



## Features&Benefit (功能和优点)

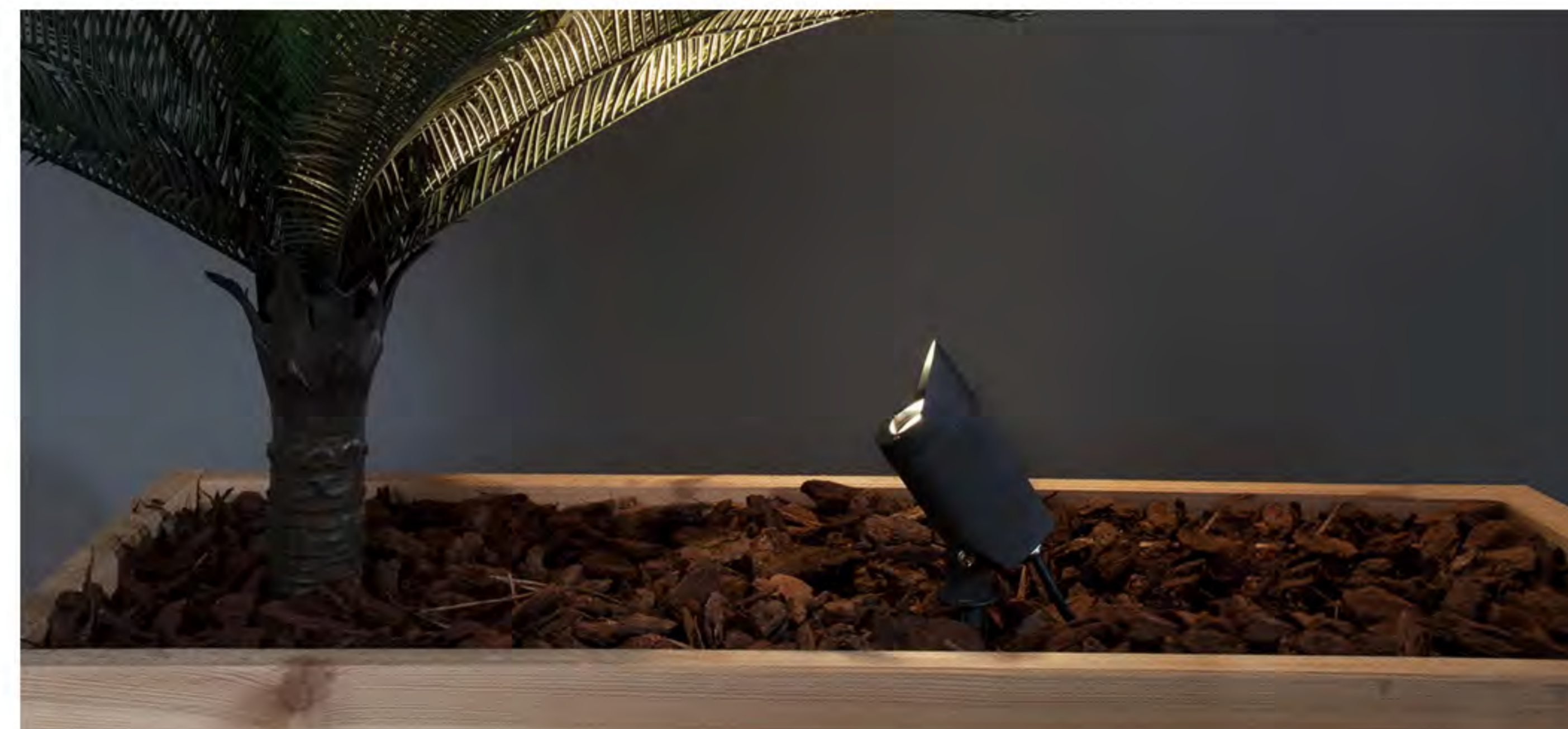
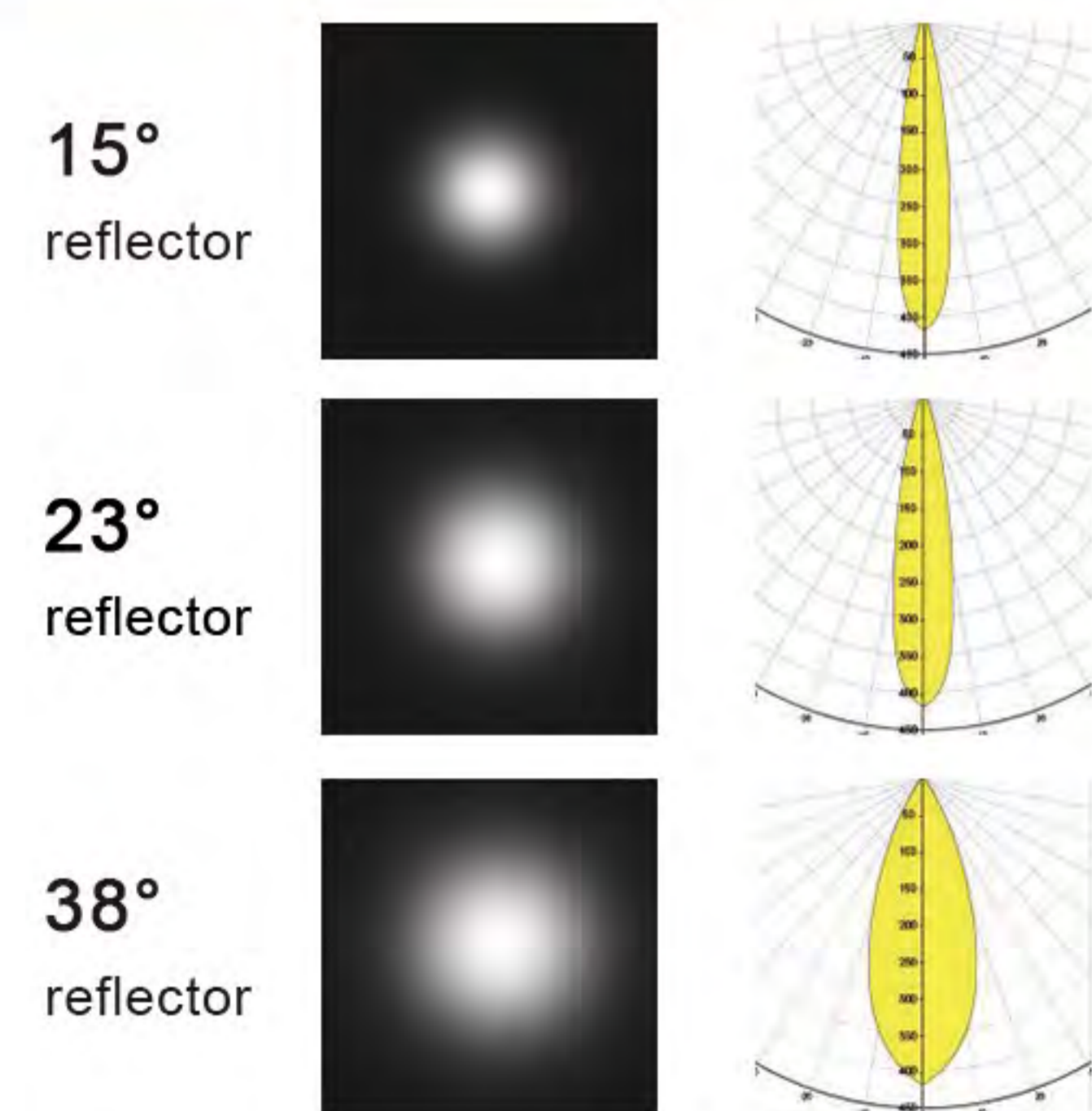
Category (品类)	Spot Light
Diffuser Material (扩散器材质)	Glass
Cover Material (面盖材质)	Aluminum
Operating mode (运行)	Built in
Steuerbar (开关)	On/Off
IP (防水等级)	65
Mounting type (安装类型)	Insert
Mounting location (安装位置)	Underground
Application environment (应用环境)	Indoor/Outdoor
Body color (表面颜色)	Black/Dark Gray/Sliver Gray



## Product Description (产品描述)

Suitable for villas, courtyards, terraces, gardens or neighborhoods and other landscapes; a variety of angles and a variety of power options to meet the different light and brightness; close to the flowers and shrubs can be illuminated, and the distance can be illuminated by medium-sized trees landscape.

## Beam Angle (光束角度)



## Technical Date (技术参数)

Item No.	Lamp Type	Power	LM	CCT	PF	Voltage	CRI	A	B	C (mm)
MB23-0114	LED	10W	700	2700K-6000K	0.6	AC110-265V	80-90	72	135	290



# MB23-0119/MB23-0120 MB23-0122/MB23-0123



## Features&Benefit (功能和优点)

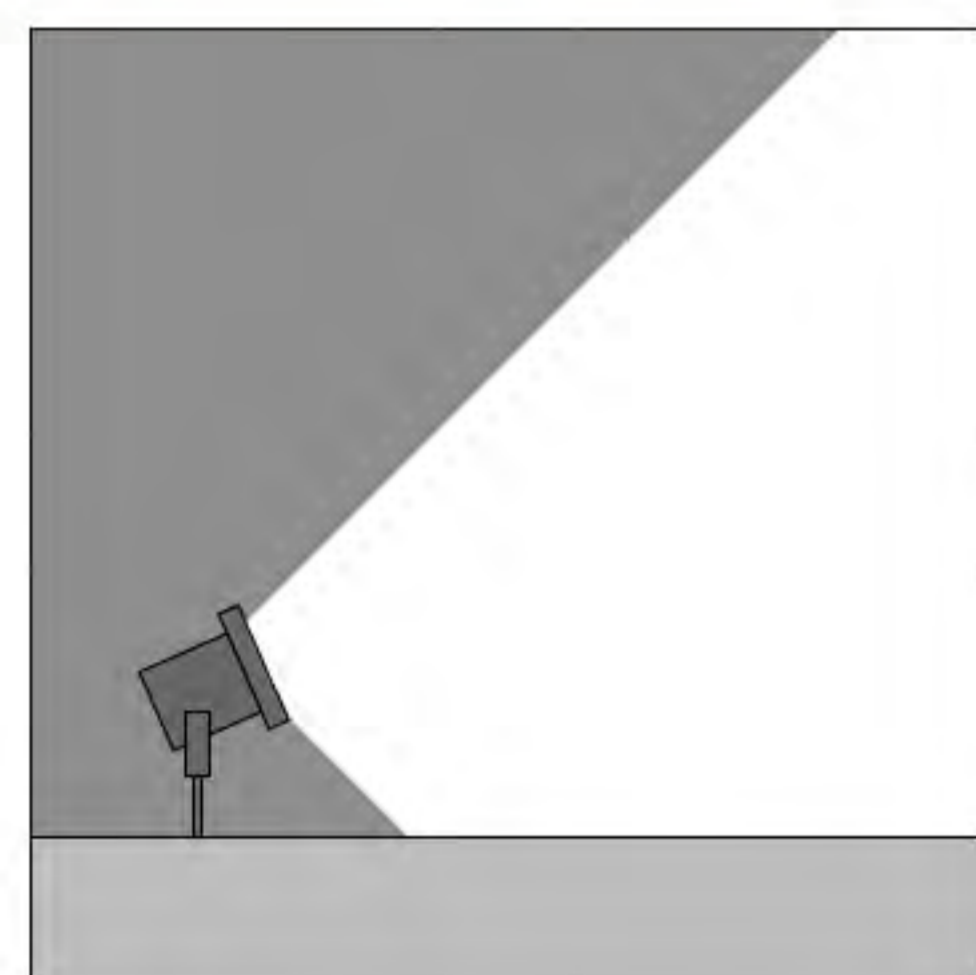
Category (品类)	Spot Light
Diffuser Material (扩散器材质)	Glass
Cover Material (面盖材质)	Aluminum
Operating mode (运行)	Built in
Steuerbar (开关)	On/Off
IP (防水等级)	65
Mounting type (安装类型)	Put
Mounting location (安装位置)	Overground
Application environment (应用环境)	Indoor/Outdoor
Body color (表面颜色)	Black/Dark Gray/Sliver Gray



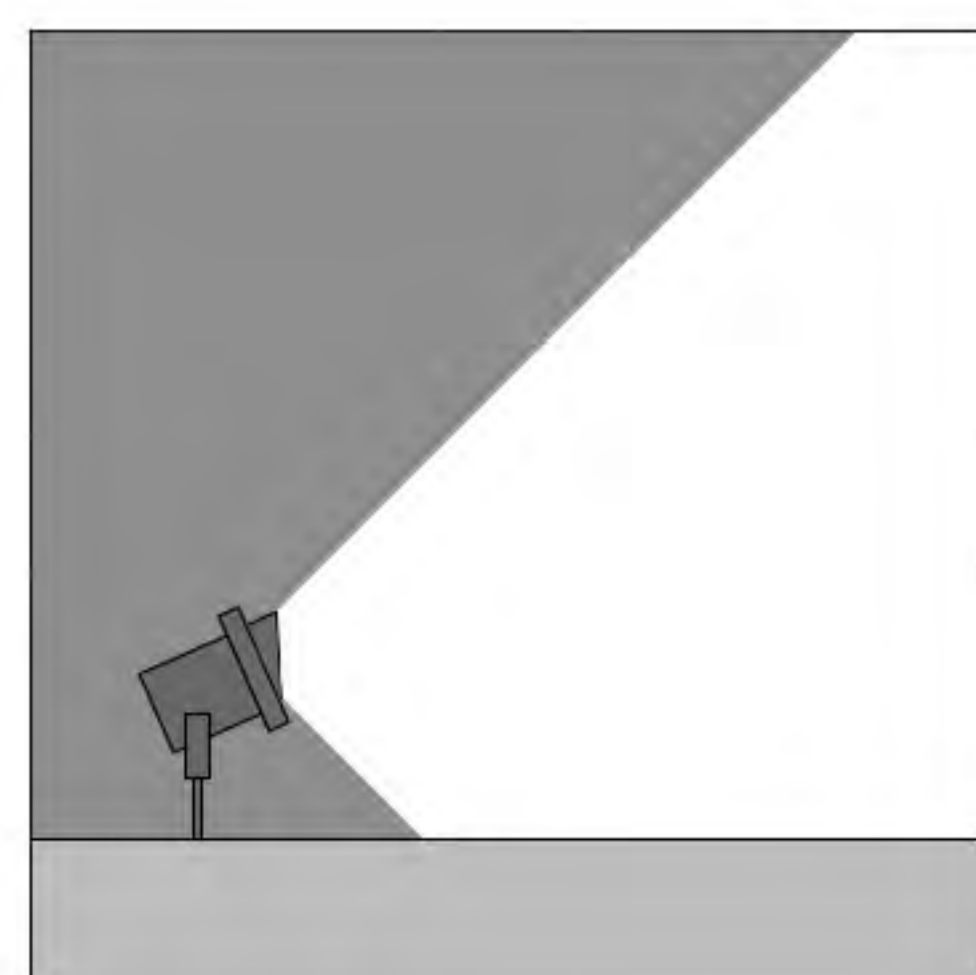
## Product Description (产品描述)

Suitable for villas, courtyards, terraces, gardens or neighborhoods and other landscapes; a variety of angles and a variety of power options to meet the different light and brightness; close to the flowers and shrubs can be illuminated, and the distance can be illuminated by medium-sized trees landscape.

## Lightmap (光影图)



front view (正面图)



front view (正面图)

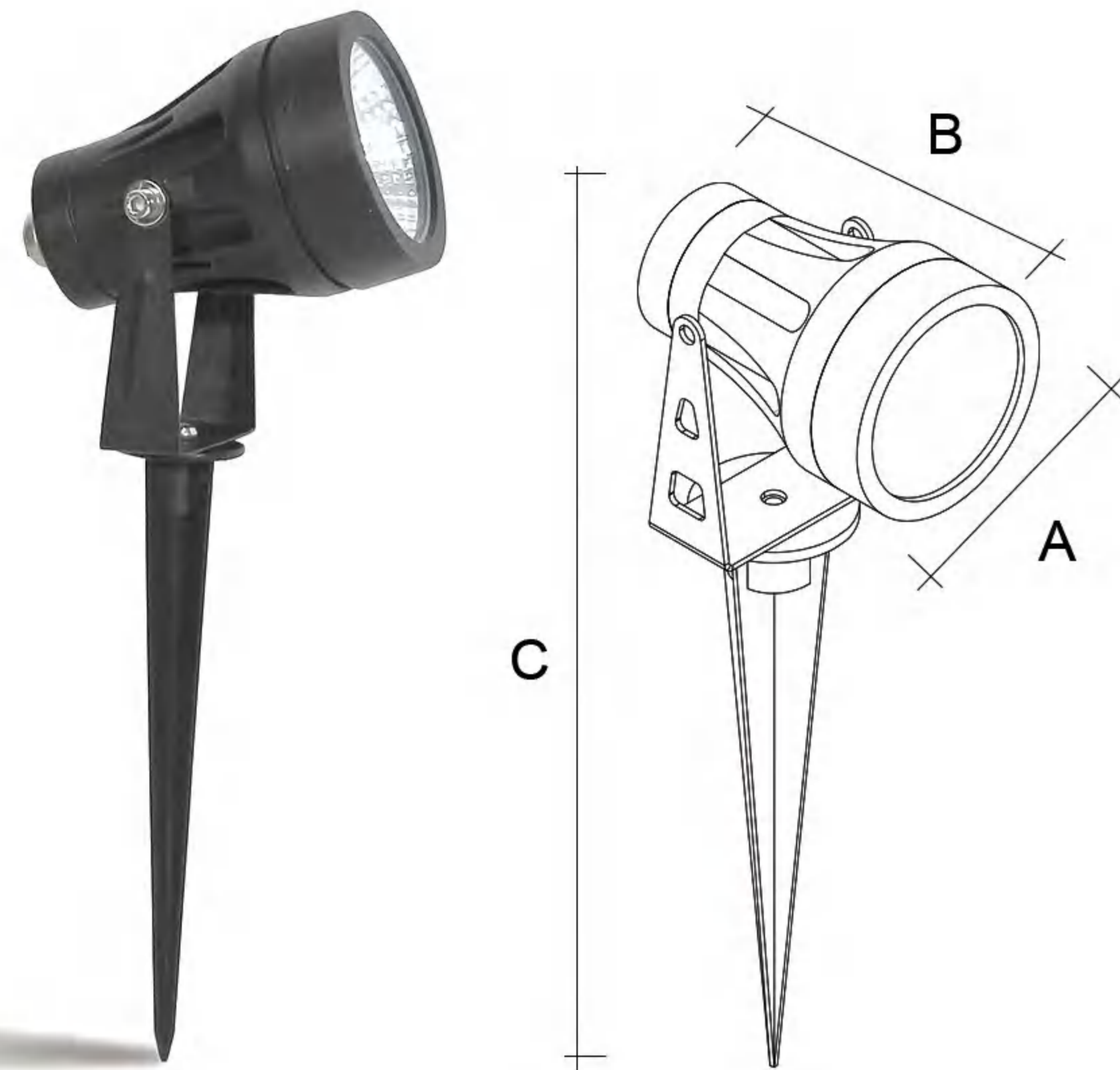


## Technical Date (技术参数)

Item No.	Lamp Type	Power	LM	CCT	PF	Voltage	CRI	A	B	C (mm)
MB23-0119	LED	3W	210	2700K-6000K	0.6	AC110-265V	80-90	Ø60	76	250
MB23-0120	LED	3W	210	2700K-6000K	0.6	AC110-265V	80-90	Ø60	95	250
MB23-0122	LED	10W	700	2700K-6000K	0.6	AC110-265V	80-90	Ø75	75	250
MB23-0123	LED	10W	700	2700K-6000K	0.6	AC110-265V	80-90	Ø75	105	250



# MB23-0121



## Features&Benefit (功能和优点)

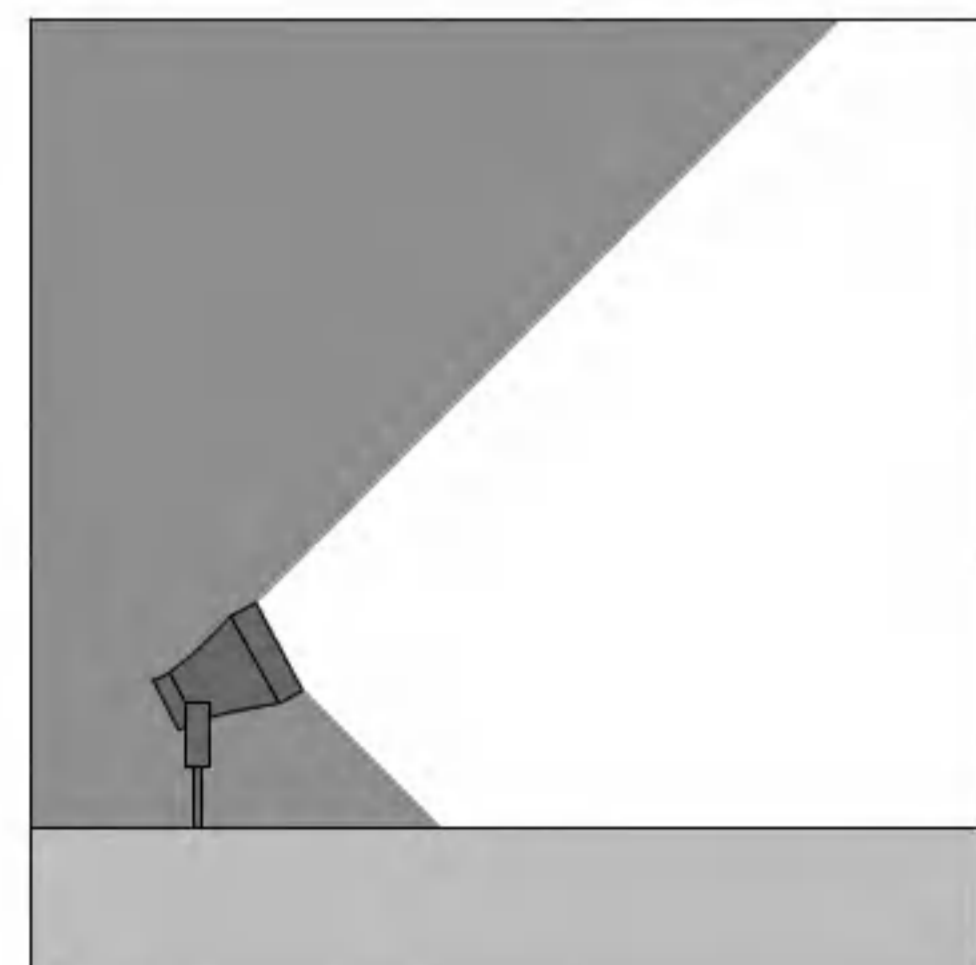
Category (品类)	Spot Light
Diffuser Material (扩散器材质)	Glass
Cover Material (面盖材质)	Aluminum
Operating mode (运行)	Built in
Steuerbar (开关)	On/Off
IP (防水等级)	65
Mounting type (安装类型)	Insert
Mounting location (安装位置)	Underground
Application environment (应用环境)	Indoor/Outdoor
Body color (表面颜色)	Black/Dark Gray/Sliver Gray



## Product Description (产品描述)

Suitable for villas, courtyards, terraces, gardens or neighborhoods and other landscapes; a variety of angles and a variety of power options to meet the different light and brightness; close to the flowers and shrubs can be illuminated, and the distance can be illuminated by medium-sized trees landscape.

## Lightmap (光影图)



front view (正面图)

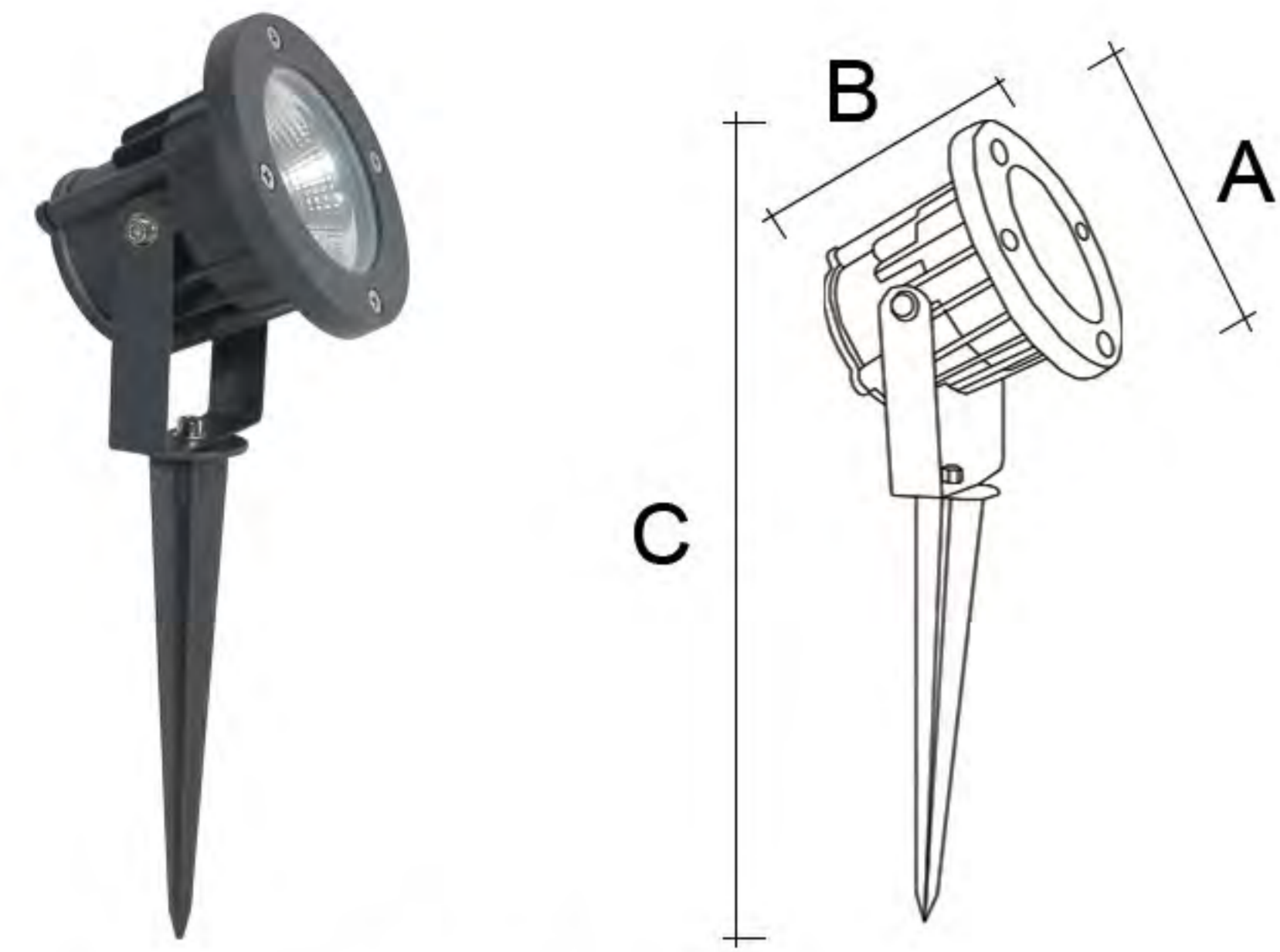


## Technical Date (技术参数)

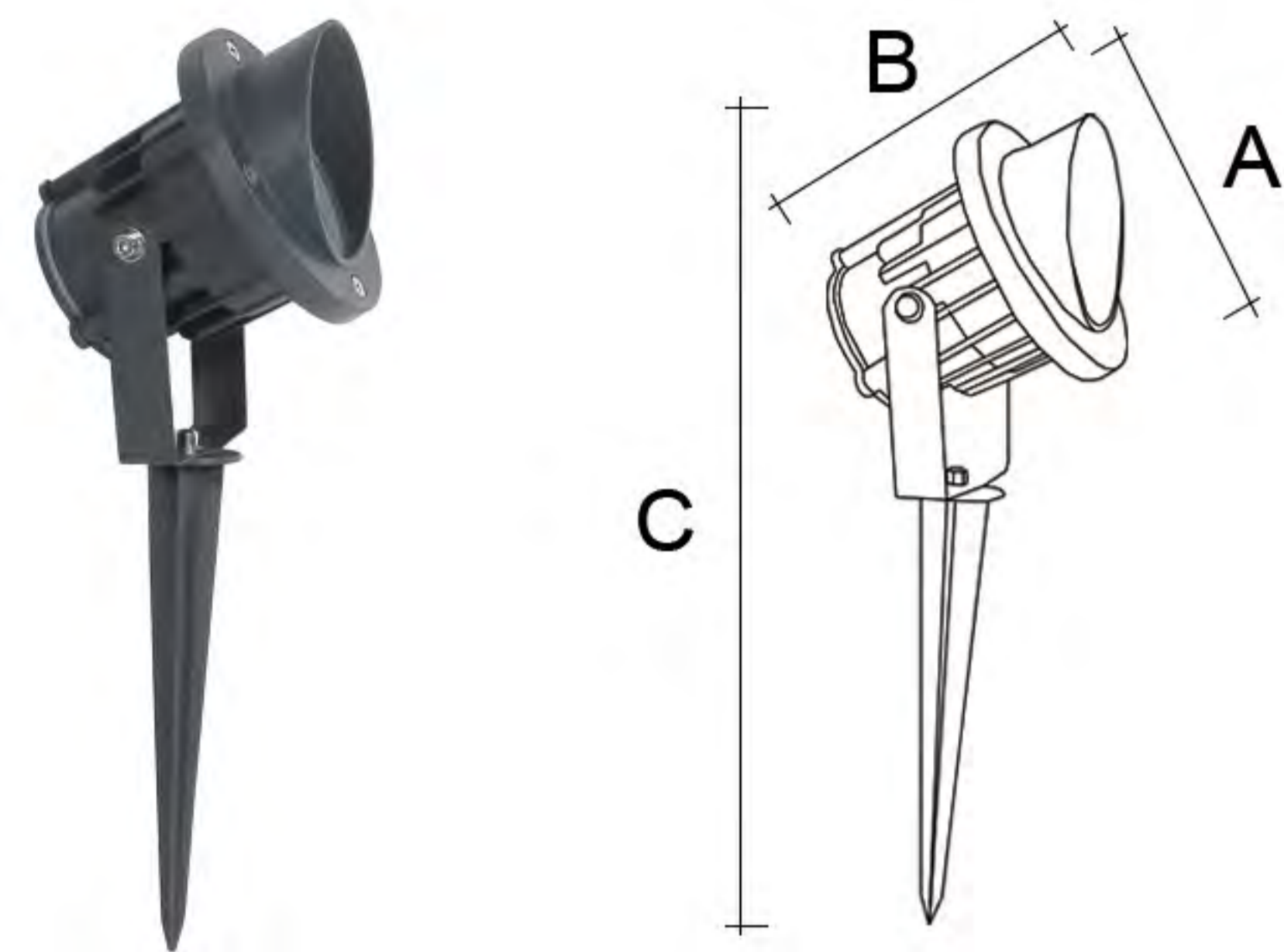
Item No.	Lamp Type	Power	LM	CCT	PF	Voltage	CRI	A	B	C (mm)
MB23-012140	LED	3W	210	2700K-6000K	0.6	AC110-265V	80-90	Ø40	68	250
MB23-012160	LED	5W	350	2700K-6000K	0.6	AC110-265V	80-90	Ø60	82	255
MB23-012180	LED	7W	490	2700K-6000K	0.95	AC110-265V	80-90	Ø80	110	285



# MB23-0124/MB23-0125

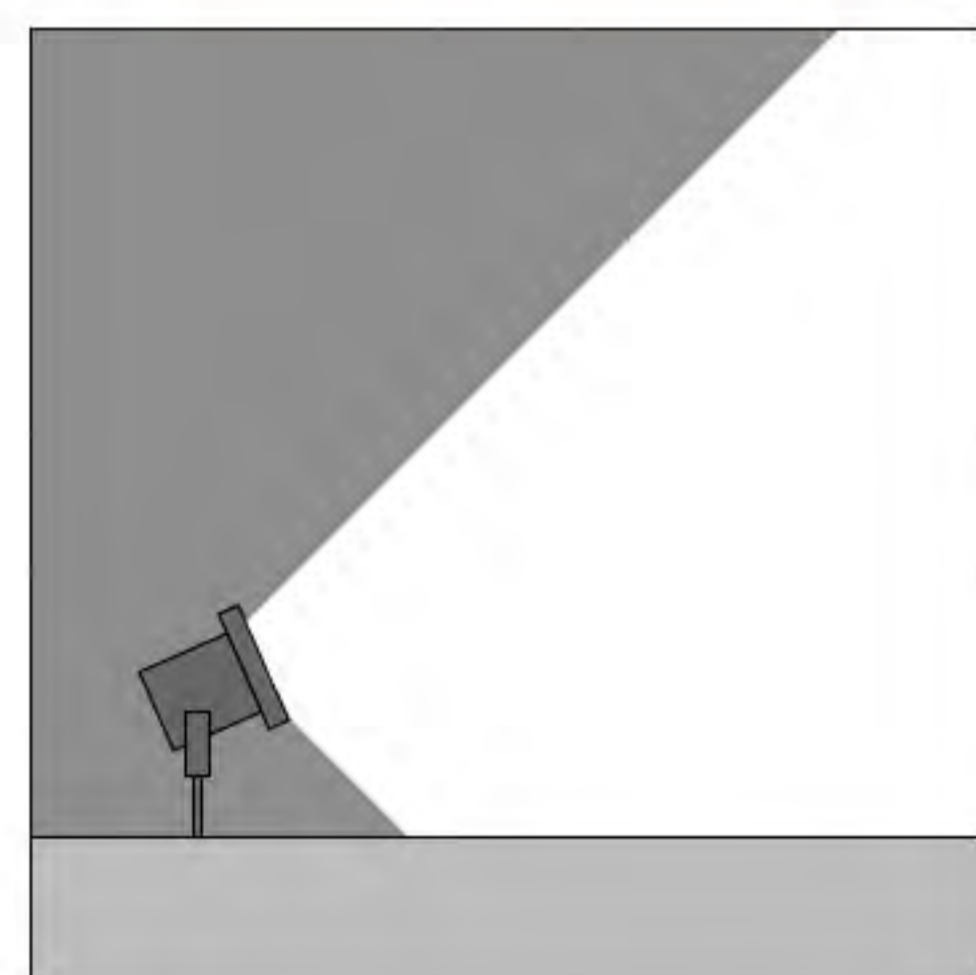


MB23-0124

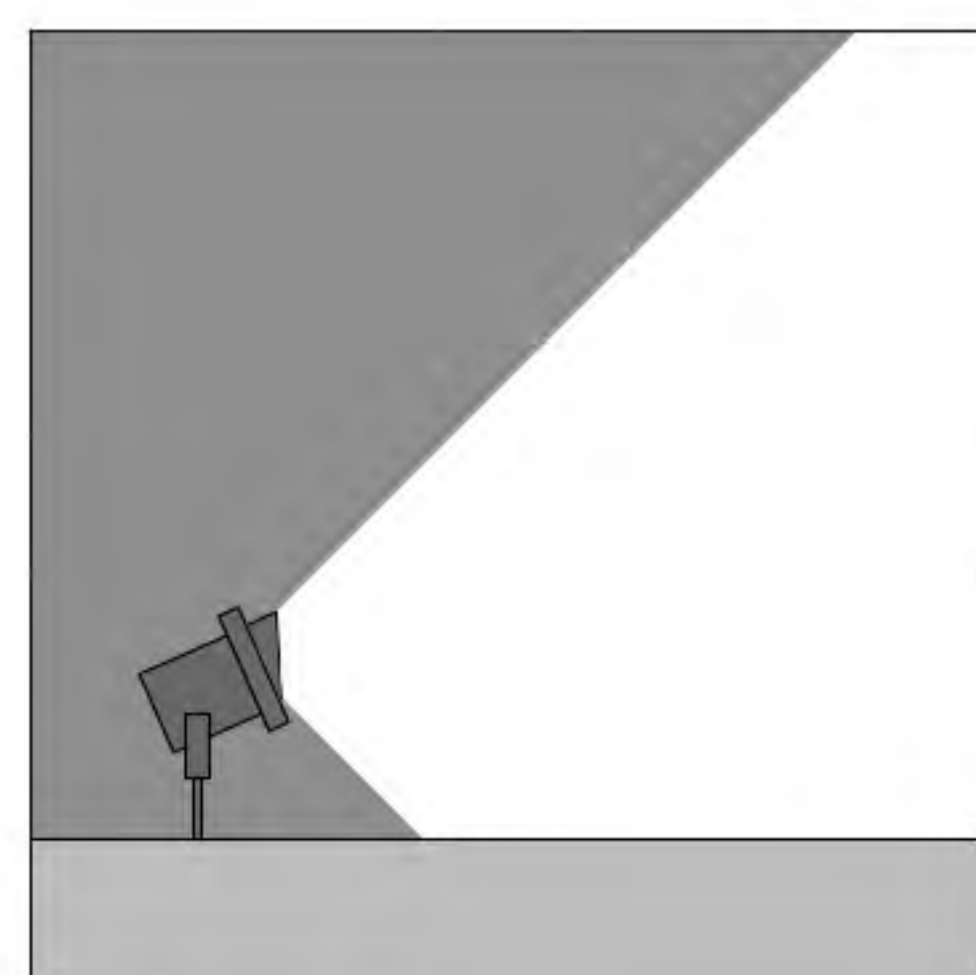


MB23-0125

## Lightmap (光影图)



front view (正面图)



front view (正面图)

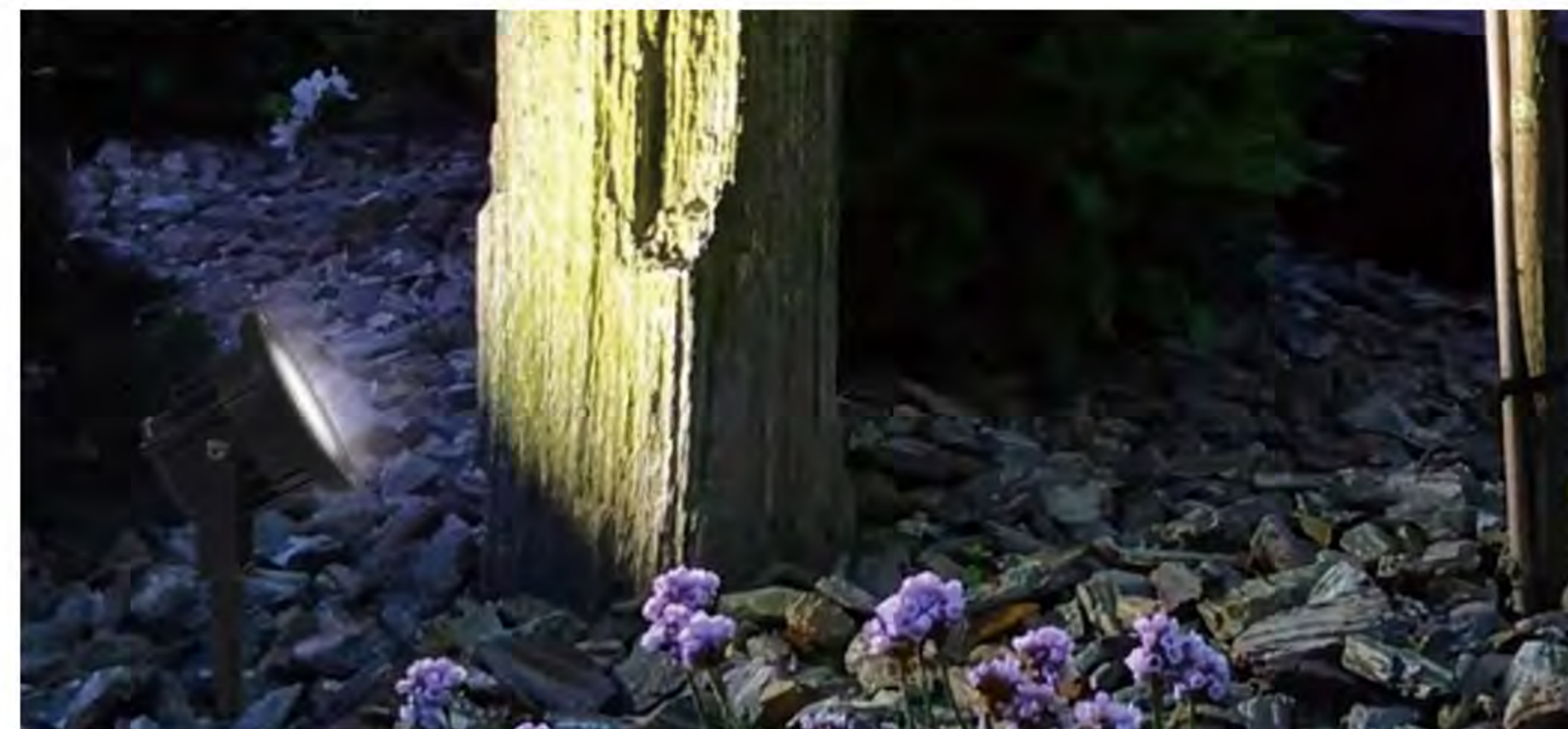
## Features&Benefit (功能和优点)

Category (品类)	Spot Light
Diffuser Material (扩散器材质)	Glass
Cover Material (面盖材质)	Aluminum
Operating mode (运行)	Built in
Steuerbar (开关)	On/Off
IP (防水等级)	65
Mounting type (安装类型)	Put
Mounting location (安装位置)	Overground
Application environment (应用环境)	Indoor/Outdoor
Body color (表面颜色)	Black/Dark Gray/Sliver Gray



## Product Description (产品描述)

Suitable for villas, courtyards, terraces, gardens or neighborhoods and other landscapes; a variety of angles and a variety of power options to meet the different light and brightness; close to the flowers and shrubs can be illuminated, and the distance can be illuminated by medium-sized trees landscape.



## Technical Date (技术参数)

Item No.	Lamp Type	Power	LM	CCT	PF	Voltage	CRI	A	B	C (mm)
MB23-0124	LED	10W	700	2700K-6000K	0.6	AC110-265V	80-90	Ø95	75	260
MB23-0125	LED	10W	700	2700K-6000K	0.6	AC110-265V	80-90	Ø95	105	260



# MB23-0126/MB23-0127 MB23-0128/MB23-0129



## Features&Benefit (功能和优点)

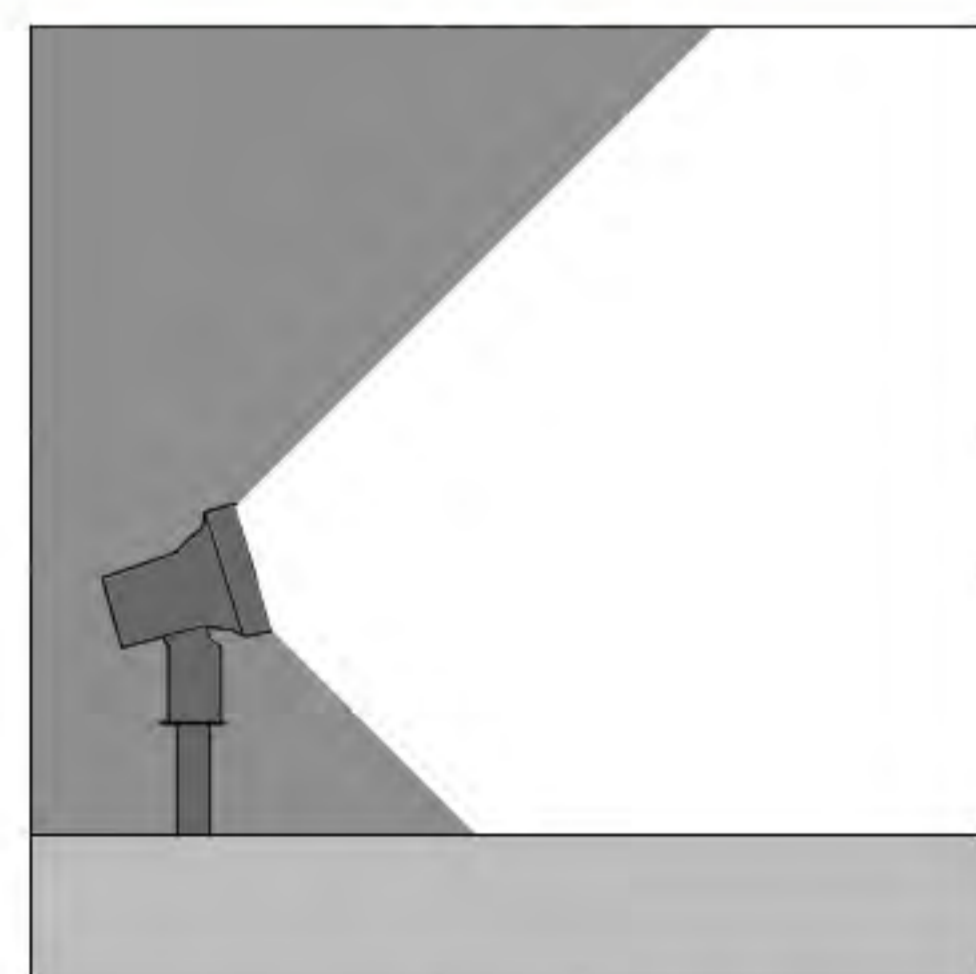
Category (品类)	Spot Light
Diffuser Material (扩散器材质)	Glass
Cover Material (面盖材质)	Aluminum
Operating mode (运行)	Built in
Steuerbar (开关)	On/Off
IP (防水等级)	65
Mounting type (安装类型)	Put
Mounting location (安装位置)	Overground
Application environment (应用环境)	Indoor/Outdoor
Body color (表面颜色)	Black/Dark Gray/Sliver Gray



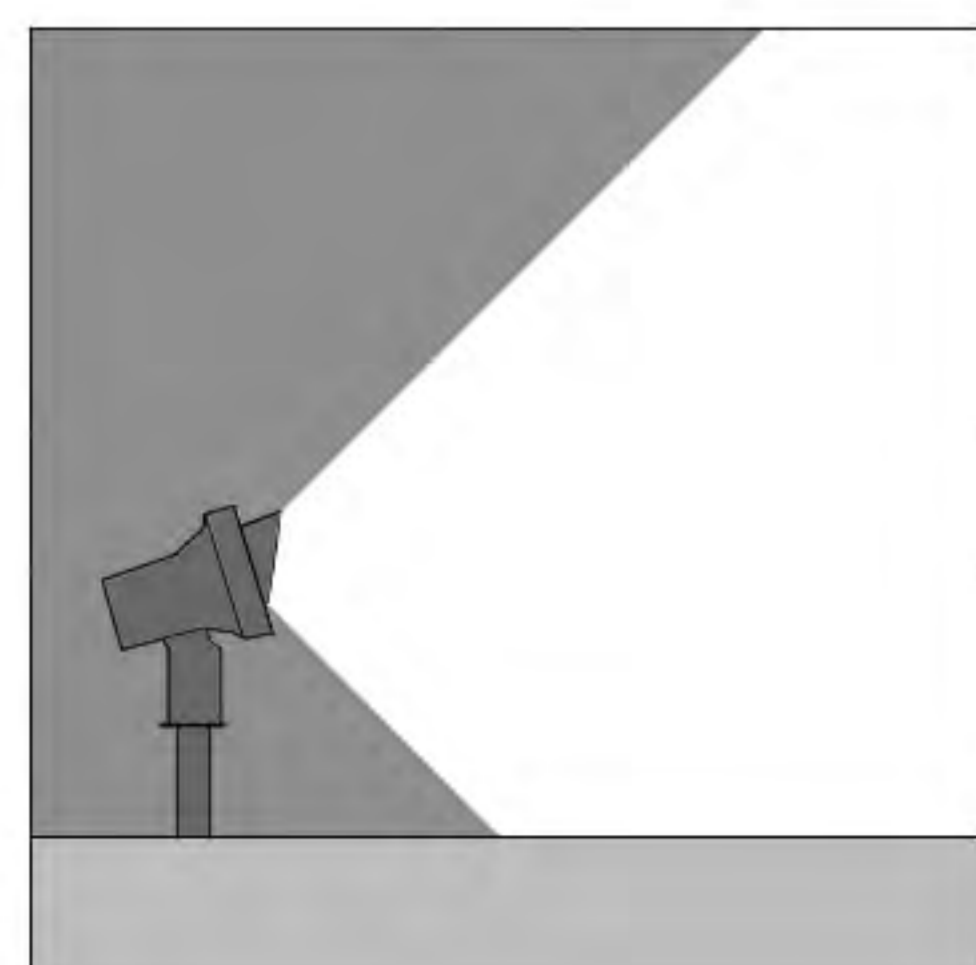
## Product Description (产品描述)

Suitable for villas, courtyards, terraces, gardens or neighborhoods and other landscapes; a variety of angles and a variety of power options to meet the different light and brightness; close to the flowers and shrubs can be illuminated, and the distance can be illuminated by medium-sized trees landscape.

## Lightmap (光影图)



front view (正面图)



front view (正面图)



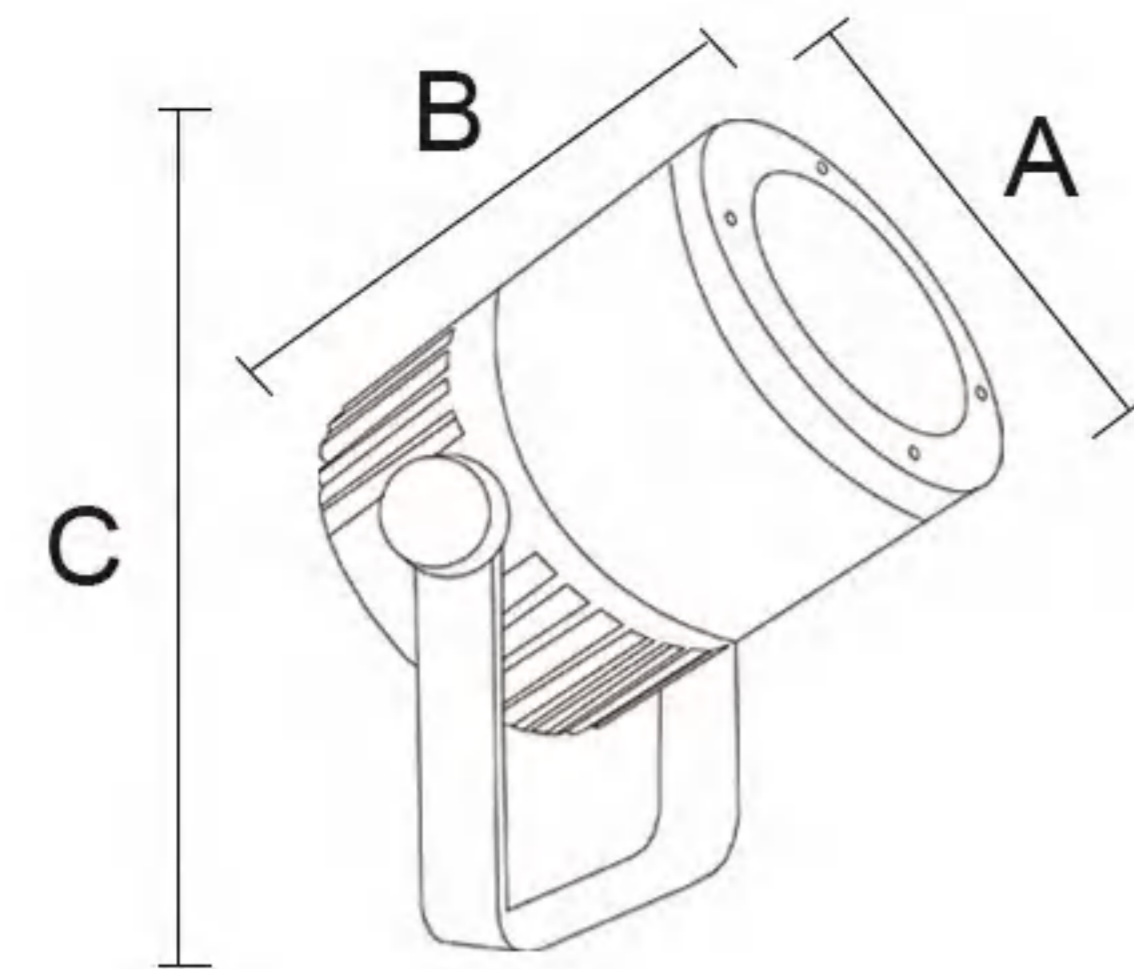
## Technical Date (技术参数)

Item No.	Lamp Type	Power	LM	CCT	PF	Voltage	CRI	A	B	C (mm)
MB23-0126	LED	10W	700	2700K-6000K	0.6	AC110-265V	80-90	Ø80	110	360
MB23-0127	LED	10W	700	2700K-6000K	0.6	AC110-265V	80-90	Ø80	150	360
MB23-0128	LED	10W	700	2700K-6000K	0.6	AC110-265V	80-90	Ø85	110	360
MB23-0129	LED	10W	700	2700K-6000K	0.6	AC110-265V	80-90	Ø85	150	360

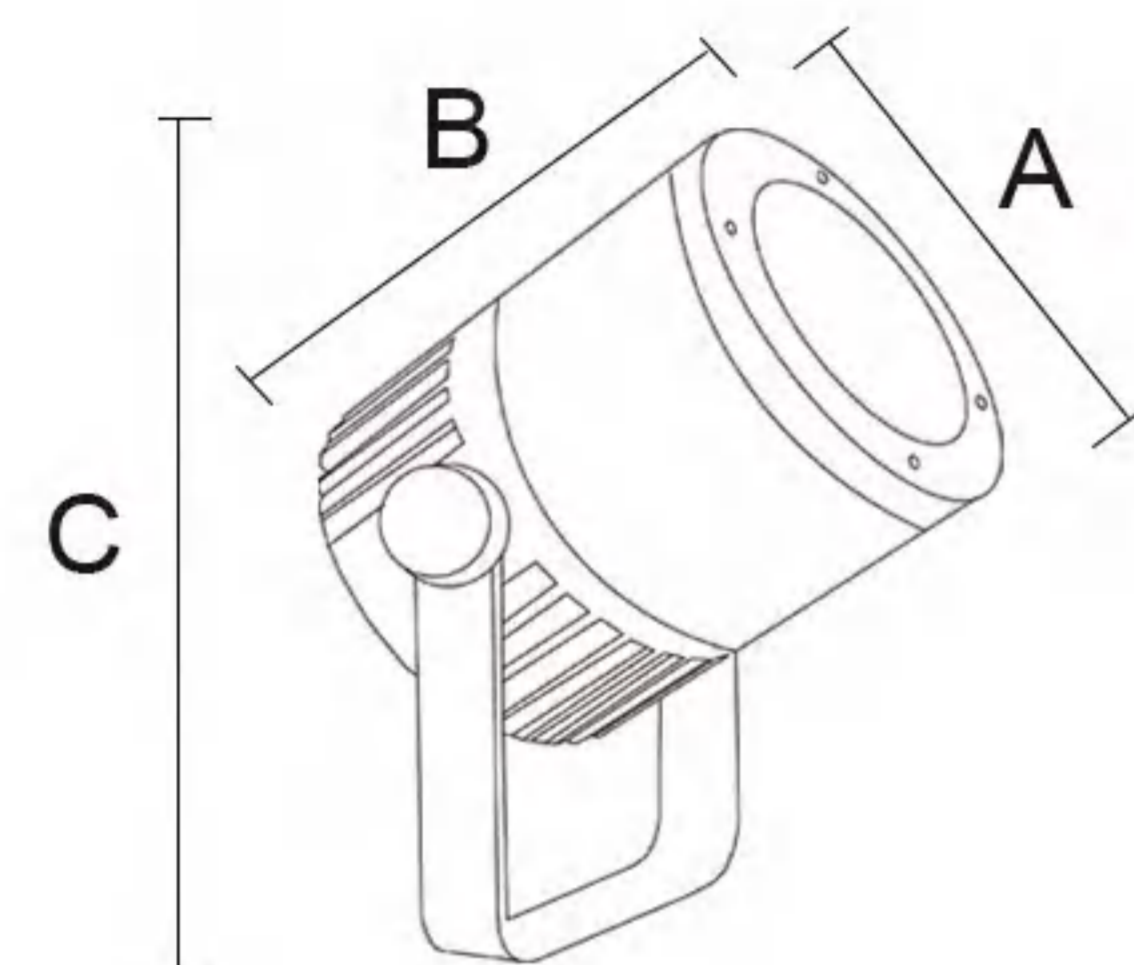




MB23-0601



MB23-0602



# MB23-0601/MB23-0602

## Features&Benefit (功能和优点)

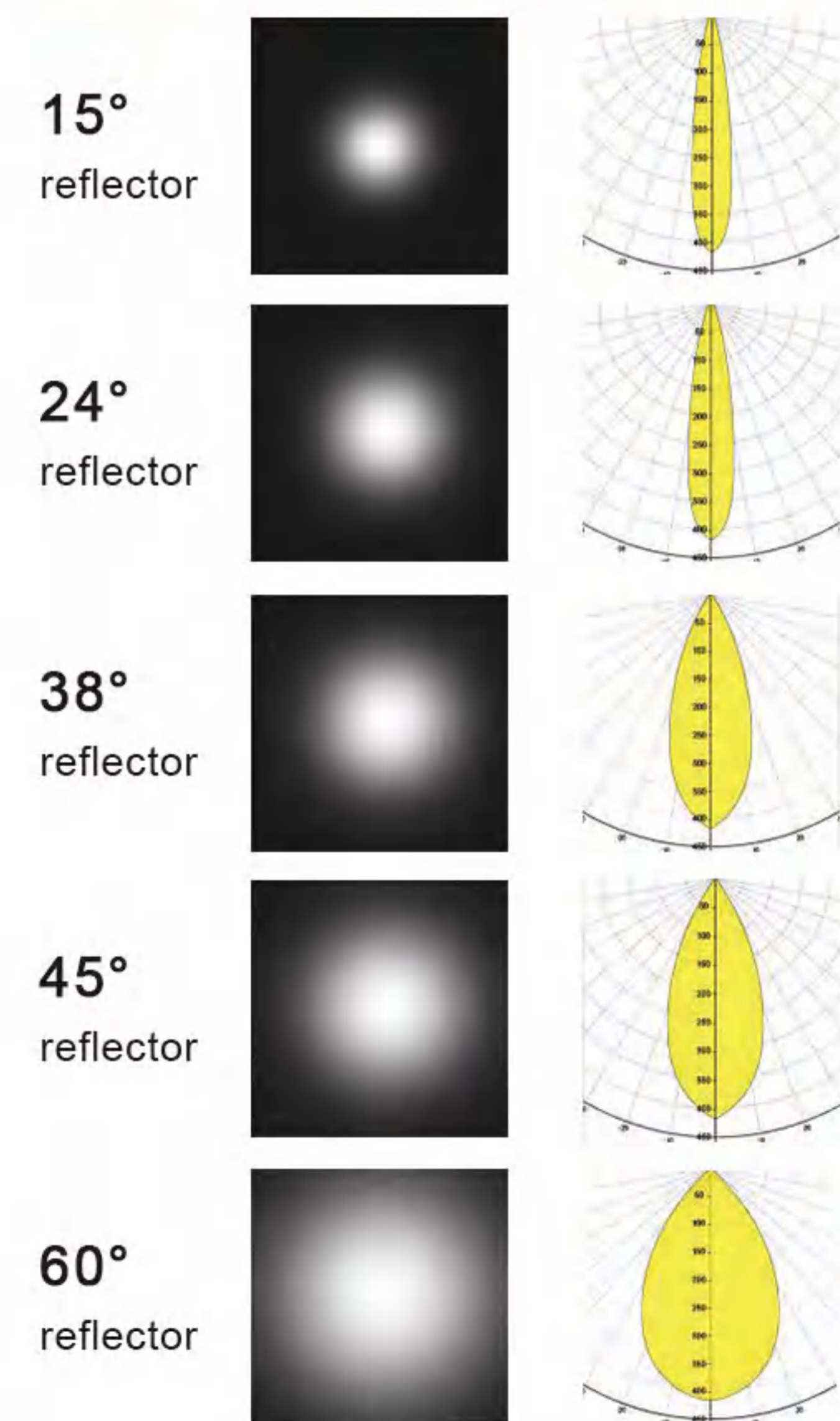
Category (品类)	Spot Light
Diffuser Material (扩散器材质)	Glass
Cover Material (面盖材质)	Aluminum
Operating mode (运行)	Built in
Steuerbar (开关)	On/Off
IP (防水等级)	65
Mounting type (安装类型)	Put
Mounting location (安装位置)	Overground
Application environment (应用环境)	Indoor/Outdoor
Body color (表面颜色)	Black/Dark Gray/Sliver Gray



## Product Description (产品描述)

Suitable for villas, courtyards, terraces, gardens or neighborhoods and other landscapes; a variety of angles and a variety of power options to meet the different light and brightness; close to the flowers and shrubs can be illuminated, and the distance can be illuminated by medium-sized trees landscape.

## Beam Angle (光束角度)



## Technical Date (技术参数)

Item No.	Lamp Type	Power	LM	CCT	PF	Voltage	CRI	A	B	C (mm)
MB23-0601	LED	30W	2100	2700K-6000K	0.9	AC110-265V	80-90	Ø150	180	270
MB23-0602	LED	24W	1680	2700K-6000K	0.9	AC110-265V	80-90	Ø150	180	270



# MB23-0603

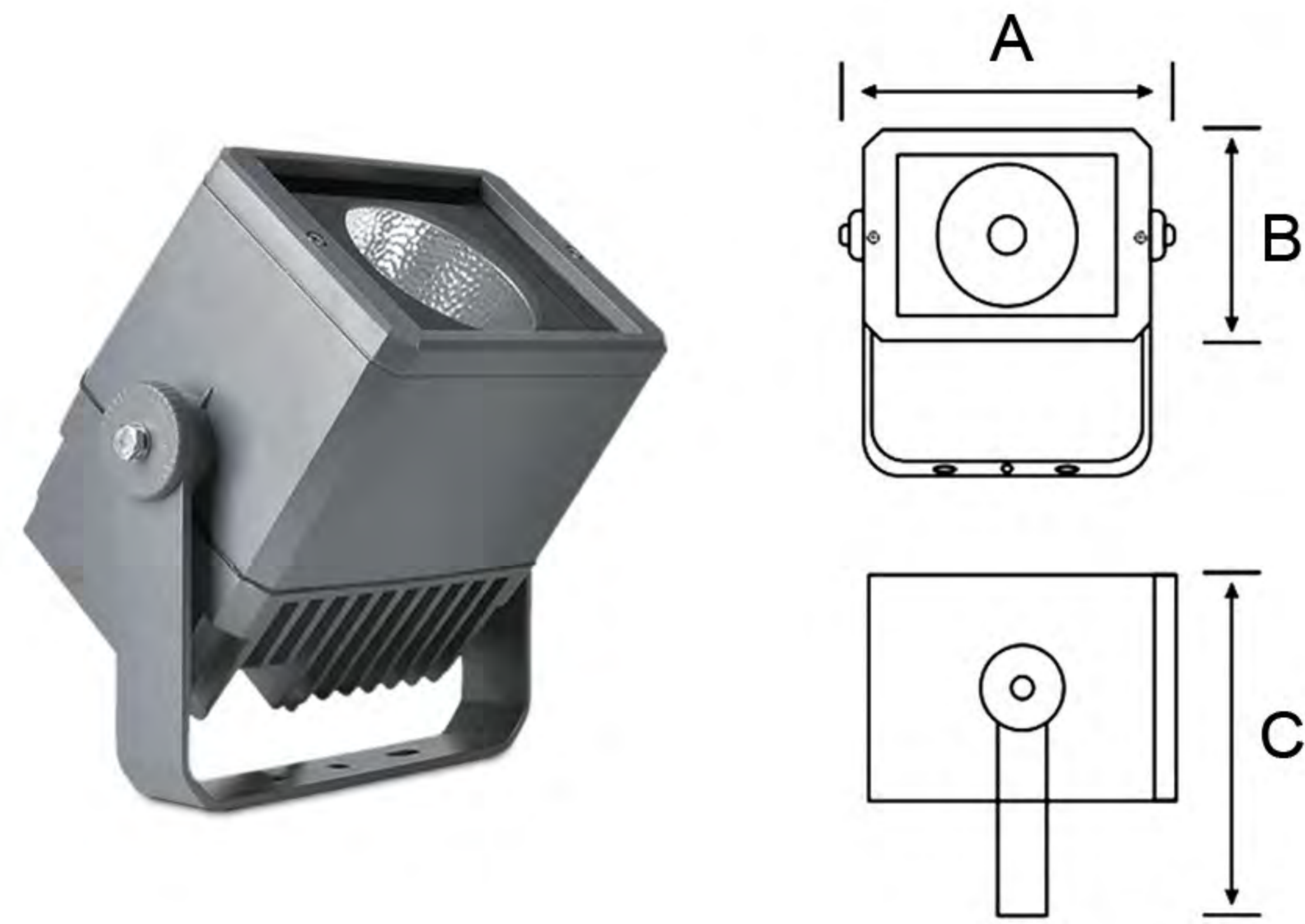
## Features&Benefit (功能和优点)

Category (品类)	Spot Light
Diffuser Material (扩散器材质)	Glass
Cover Material (面盖材质)	Aluminum
Operating mode (运行)	Built in
Steuerbar (开关)	On/Off
IP (防水等级)	65
Mounting type (安装类型)	Put
Mounting location (安装位置)	Overground
Application environment (应用环境)	Indoor/Outdoor
Body color (表面颜色)	Black/Dark Gray/Sliver Gray



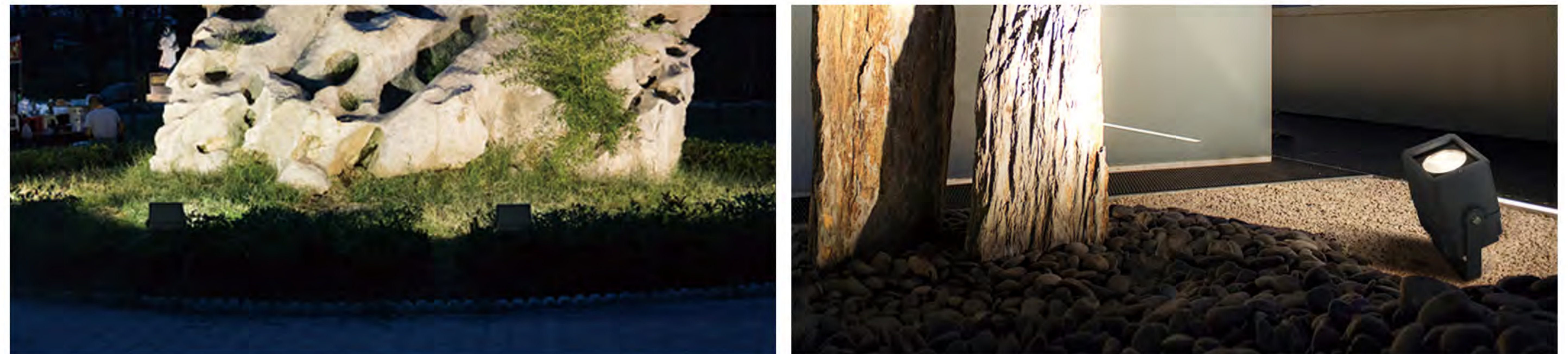
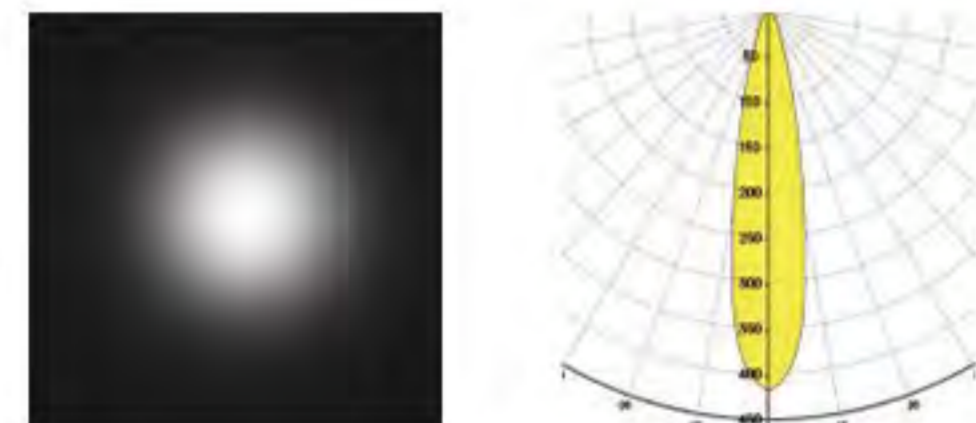
## Product Description (产品描述)

Suitable for villas, courtyards, terraces, gardens or neighborhoods and other landscapes; a variety of angles and a variety of power options to meet the different light and brightness; close to the flowers and shrubs can be illuminated, and the distance can be illuminated by medium-sized trees landscape.



## Beam Angle (光束角度)

24° reflector

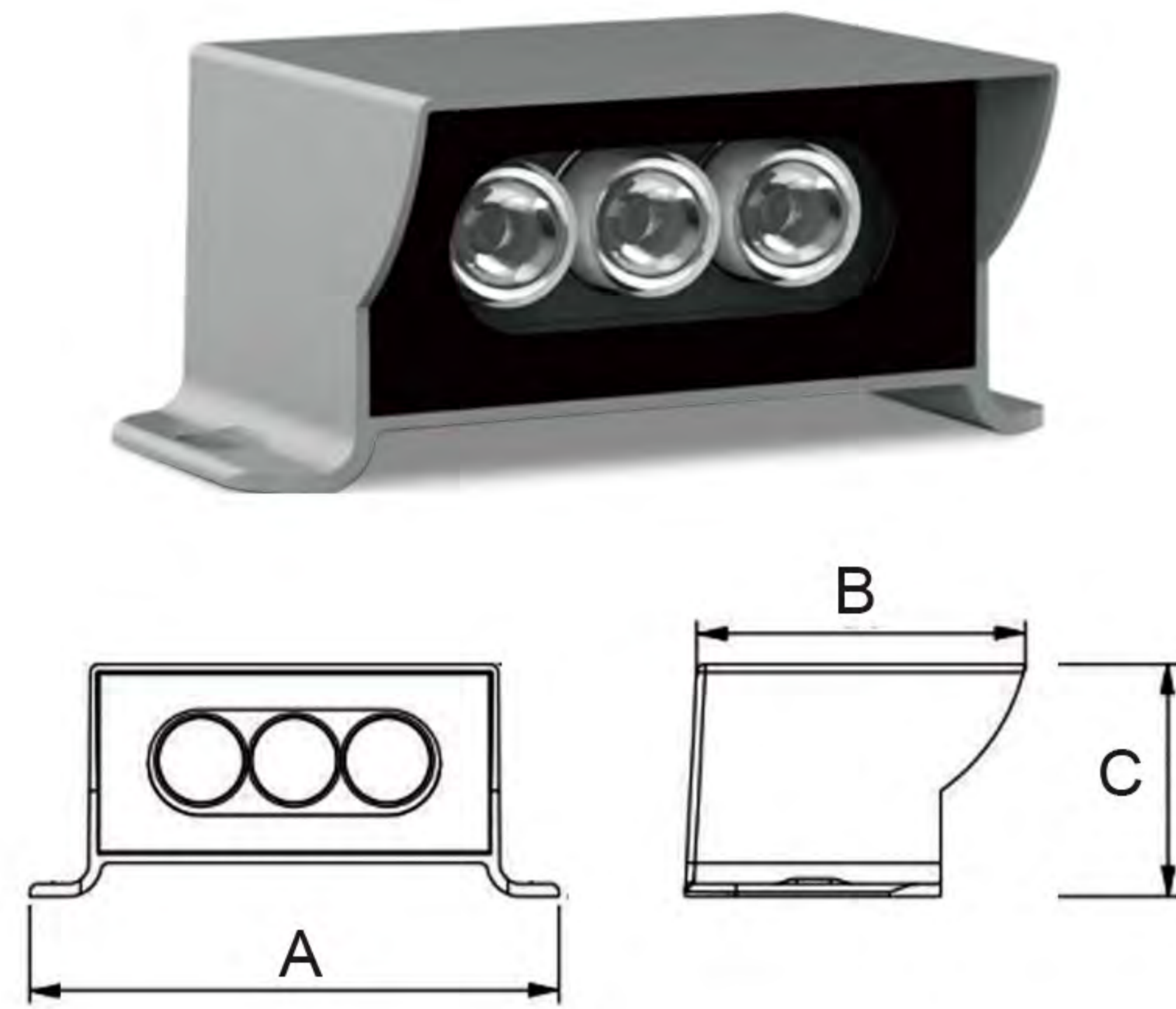


## Technical Date (技术参数)

Item No.	Lamp Type	Power	LM	CCT	PF	Voltage	CRI	A	B	C
MB23-0603A	LED	20W	1400	2700K-6000K	0.9	AC110-265V	80-90	135	125	175
MB23-0603B	LED	30W	2100	2700K-6000K	0.9	AC110-265V	80-90	170	160	195
MB23-0603C	LED	50W	3500	2700K-6000K	0.9	AC110-265V	80-90	210	190	230



# MB23-0604



## Features&Benefit (功能和优点)

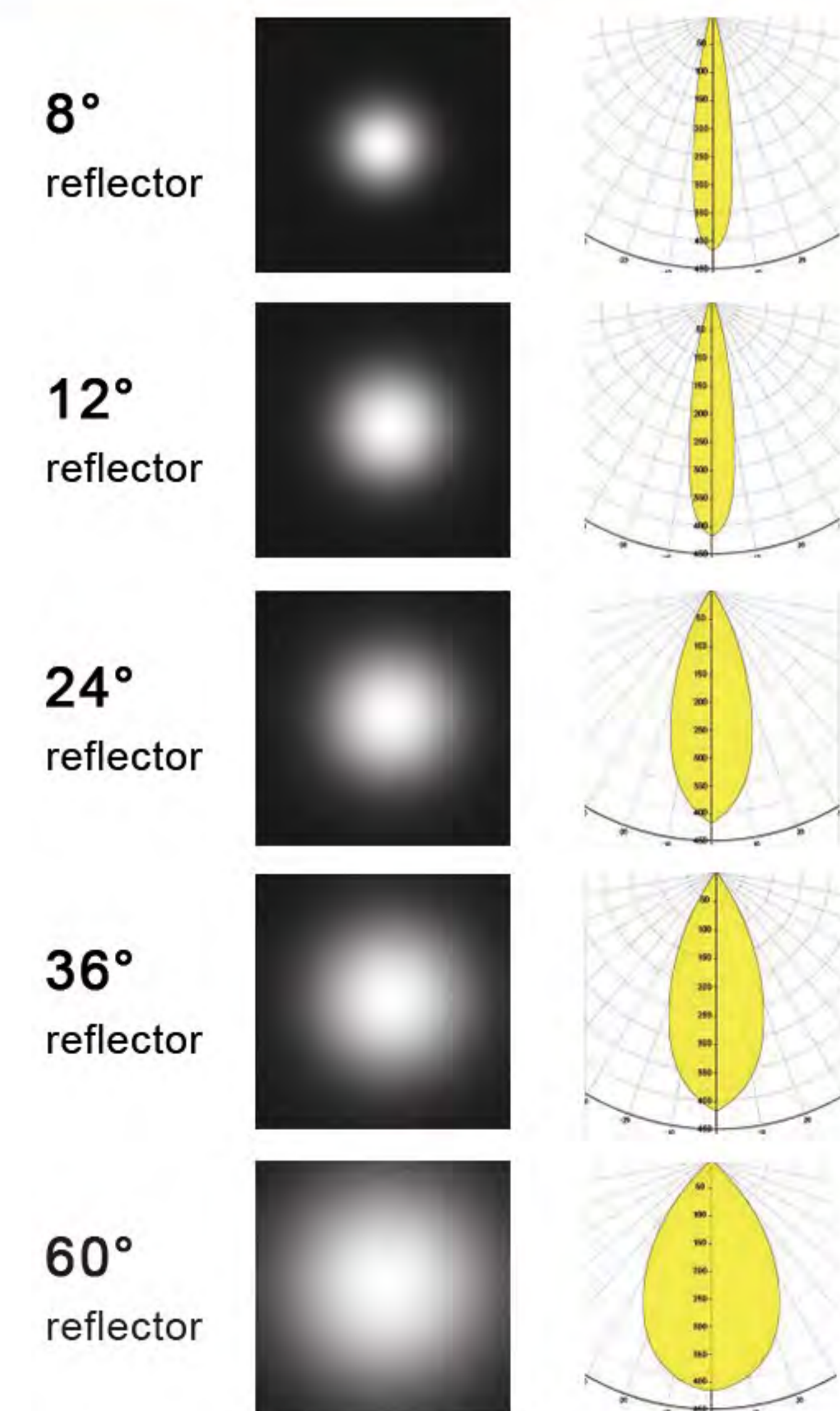
Category (品类)	Spot Light
Diffuser Material (扩散器材质)	Glass
Cover Material (面盖材质)	Aluminum
Operating mode (运行)	Built in
Steuerbar (开关)	On/Off
IP (防水等级)	65
Mounting type (安装类型)	Put
Mounting location (安装位置)	Overground
Application environment (应用环境)	Indoor/Outdoor
Body color (表面颜色)	Black/Dark Gray/Sliver Gray



## Product Description (产品描述)

Suitable for villas, courtyards, terraces, gardens or neighborhoods and other landscapes; a variety of angles and a variety of power options to meet the different light and brightness; close to the flowers and shrubs can be illuminated, and the distance can be illuminated by medium-sized trees landscape.

## Beam Angle (光束角度)

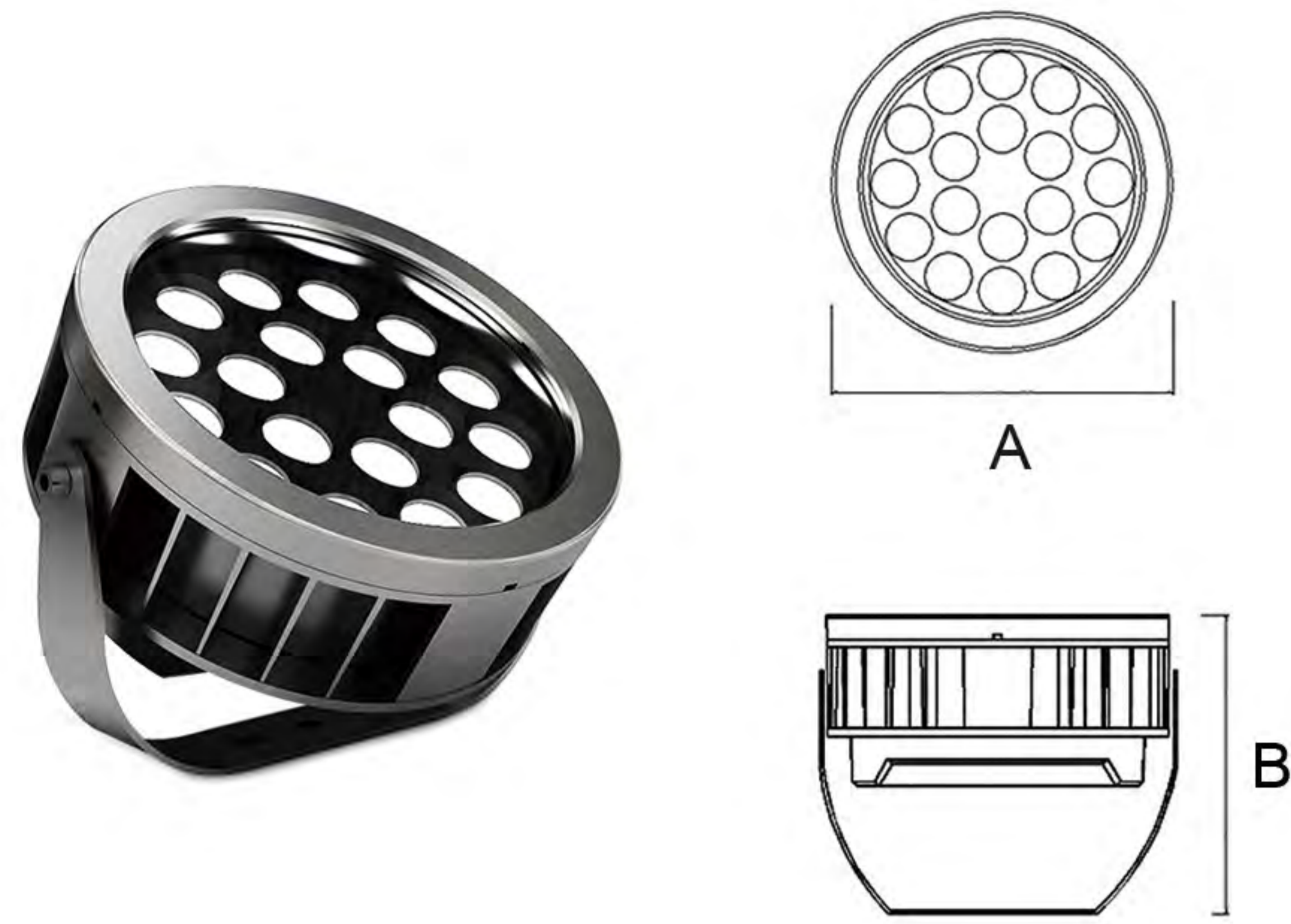


## Technical Date (技术参数)

Item No.	Lamp Type	Power	LM	CCT	PF	Voltage	CRI	A	B	C (mm)
MB23-0604A	LED	6W	420	2700K-6000K	0.6	AC110-265V	80-90	125	80	55
MB23-0604B	LED	18W	1260	2700K-6000K	0.6	AC110-265V	80-90	172	100	66



# MB23-0605



## Features&Benefit (功能和优点)

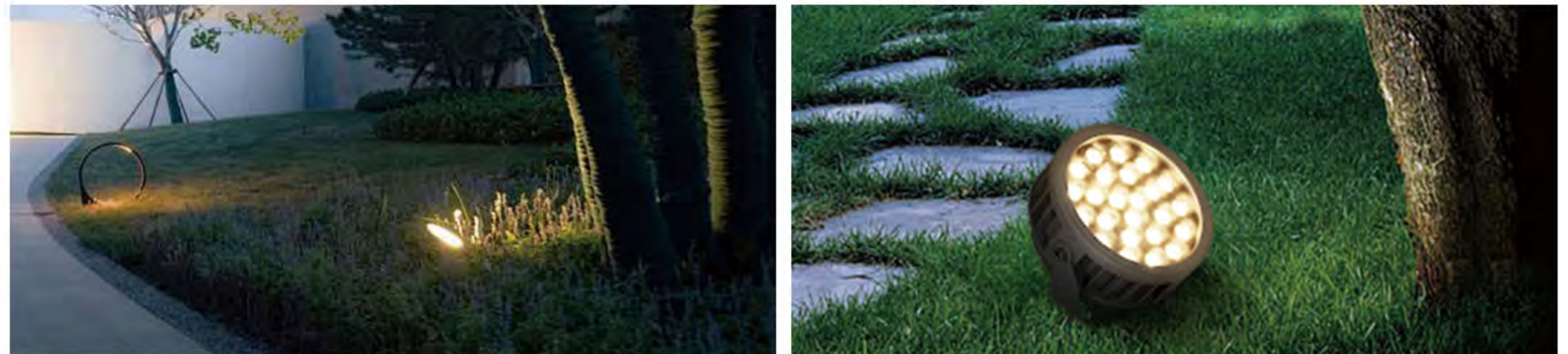
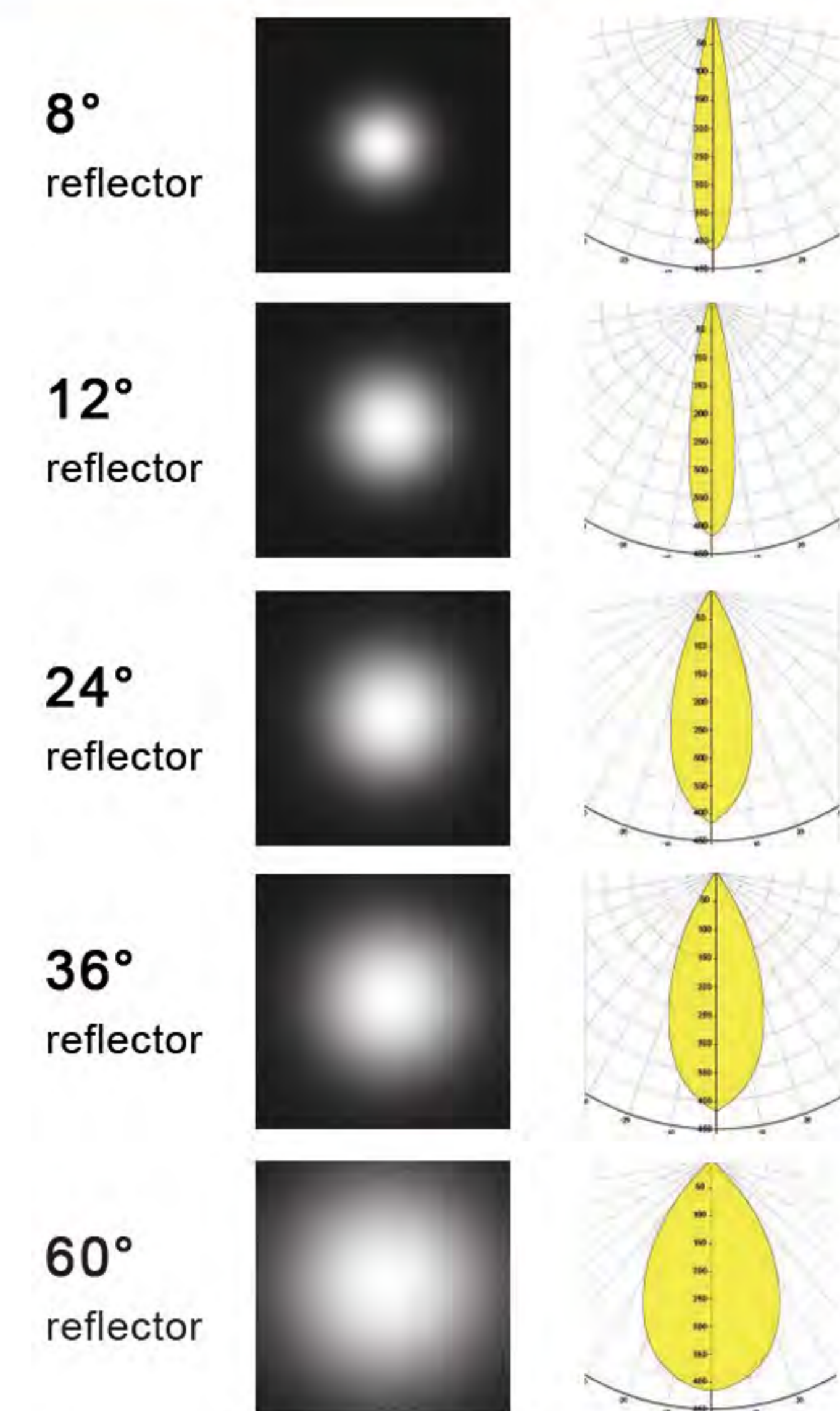
Category (品类)	Spot Light
Diffuser Material (扩散器材质)	Glass
Cover Material (面盖材质)	Aluminum
Operating mode (运行)	Built in
Steuerbar (开关)	On/Off
IP (防水等级)	65
Mounting type (安装类型)	Put
Mounting location (安装位置)	Overground
Application environment (应用环境)	Indoor/Outdoor
Body color (表面颜色)	Black/Dark Gray/Sliver Gray



## Product Description (产品描述)

Suitable for villas, courtyards, terraces, gardens or neighborhoods and other landscapes; a variety of angles and a variety of power options to meet the different light and brightness; close to the flowers and shrubs can be illuminated, and the distance can be illuminated by medium-sized trees landscape.

## Beam Angle (光束角度)



## Technical Date (技术参数)

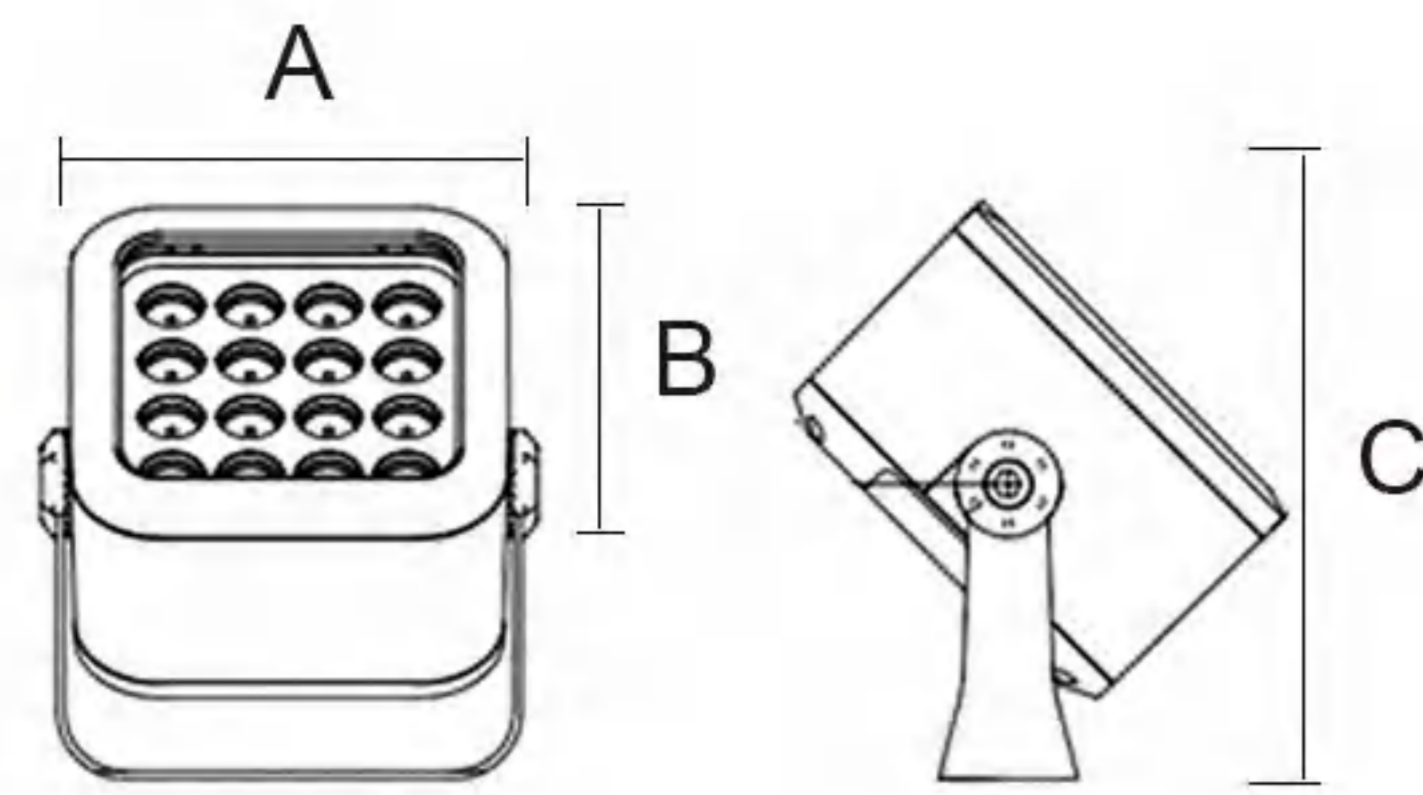
Item No.	Lamp Type	Power	LM	CCT	PF	Voltage	CRI	A	B	C (mm)
MB23-0605129	LED	12W	840	2700K-6000K	0.6	AC110-265V	80-90	Ø129	120	-
MB23-0605154	LED	18W	1260	2700K-6000K	0.6	AC110-265V	80-90	Ø154	135	-
MB23-0605178	LED	24W	1680	2700K-6000K	0.9	AC110-265V	80-90	Ø178	148	-
MB23-0605203	LED	36W	2520	2700K-6000K	0.9	AC110-265V	80-90	Ø203	165	-
MB23-0605232	LED	50W	3500	2700K-6000K	0.9	AC110-265V	80-90	Ø232	175	-



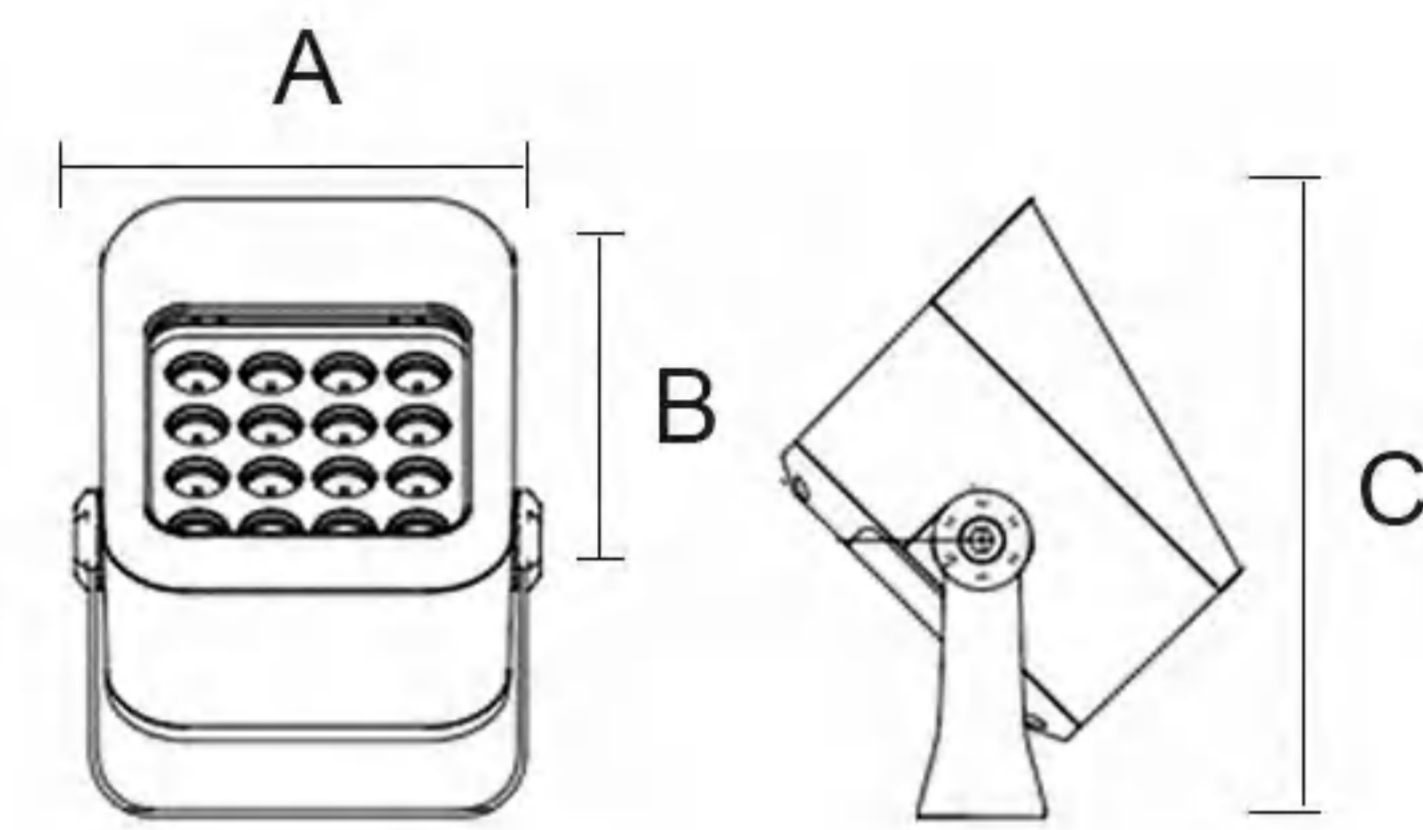
# MB23-0606/MB23-0607



MB23-0606



MB23-0607



## Features&Benefit (功能和优点)

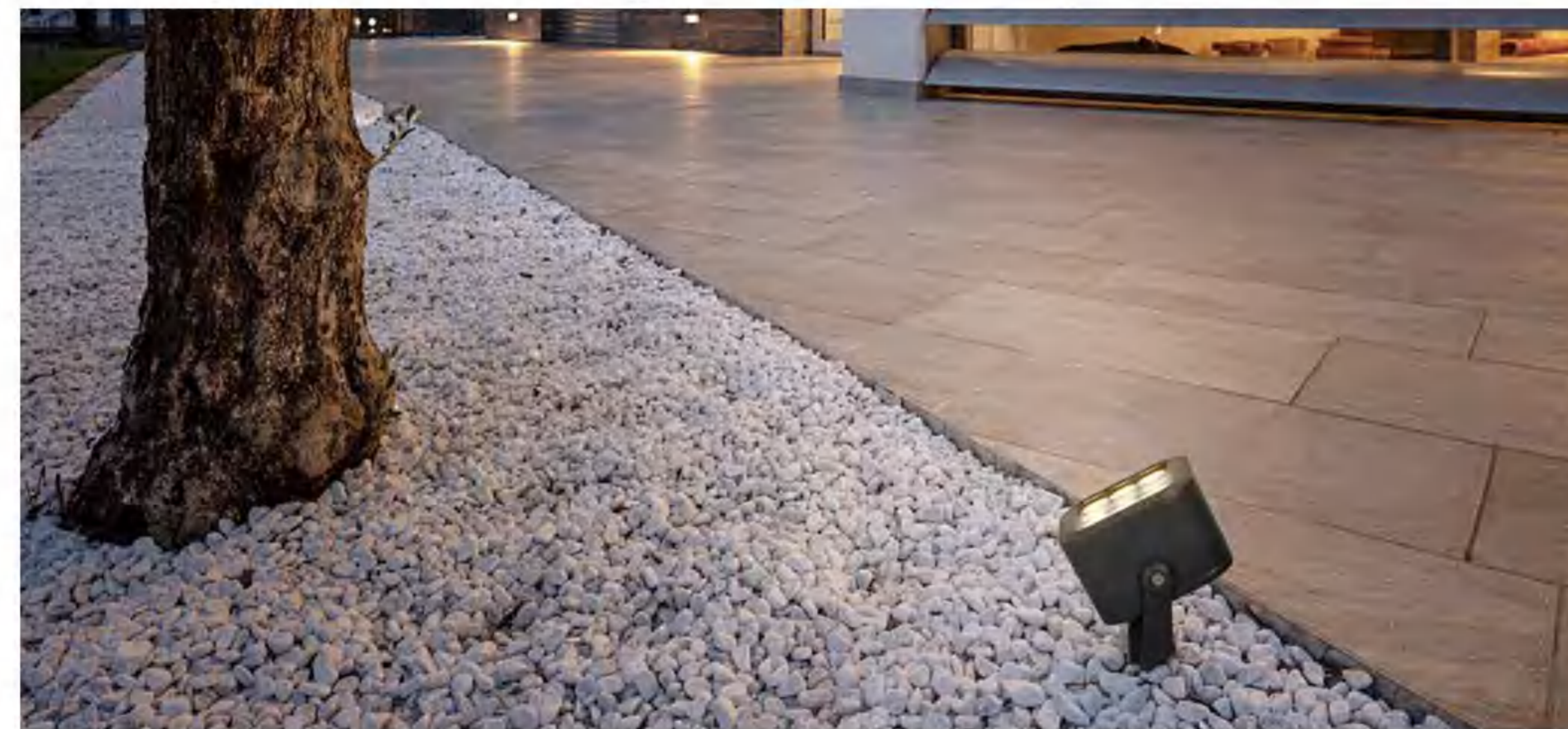
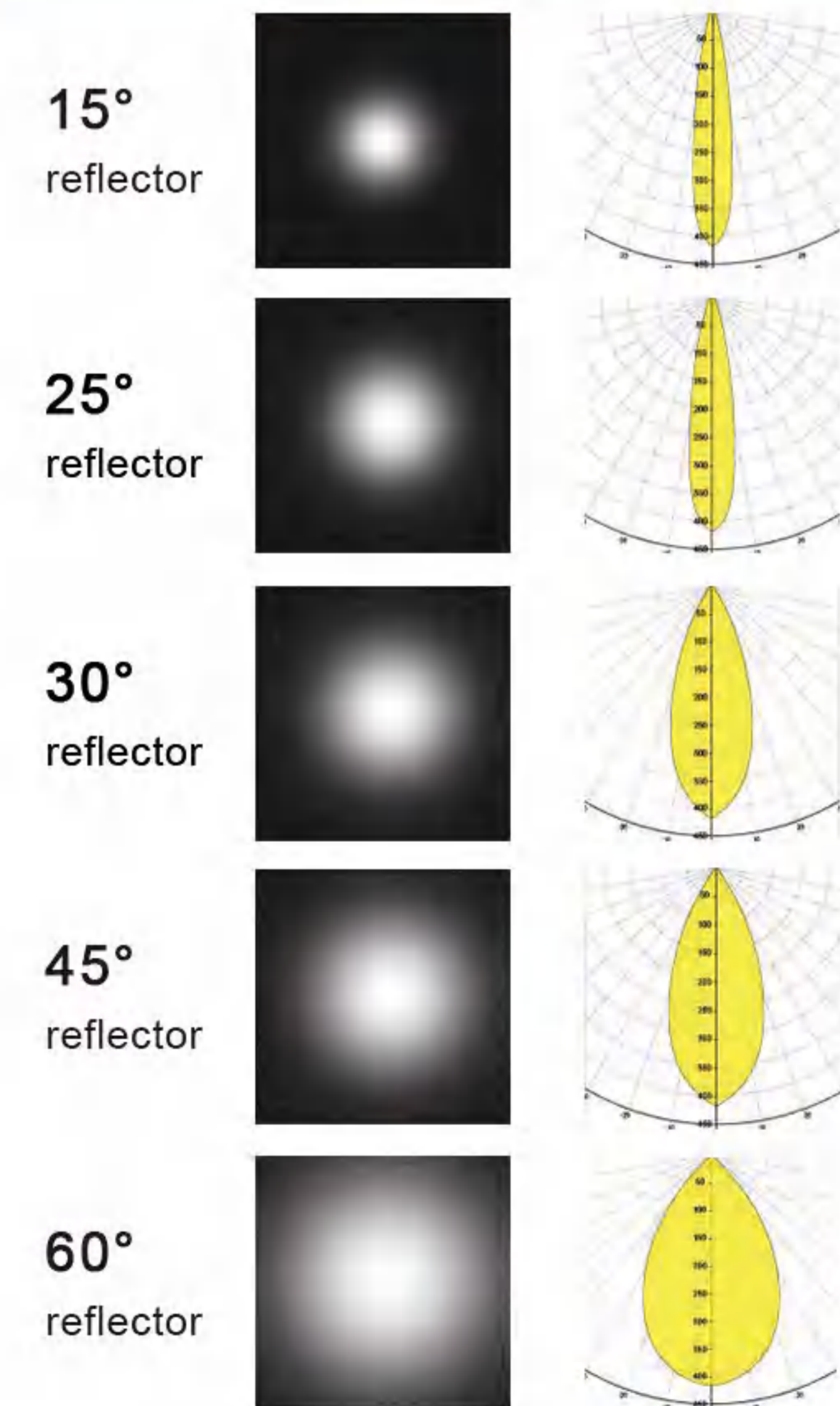
Category (品类)	Spot Light
Diffuser Material (扩散器材质)	Glass
Cover Material (面盖材质)	Aluminum
Operating mode (运行)	Built in
Steuerbar (开关)	On/Off
IP (防水等级)	65
Mounting type (安装类型)	Put
Mounting location (安装位置)	Overground
Application environment (应用环境)	Indoor/Outdoor
Body color (表面颜色)	Black/Dark Gray/Sliver Gray



## Product Description (产品描述)

Suitable for villas, courtyards, terraces, gardens or neighborhoods and other landscapes; a variety of angles and a variety of power options to meet the different light and brightness; close to the flowers and shrubs can be illuminated, and the distance can be illuminated by medium-sized trees landscape.

## Beam Angle (光束角度)

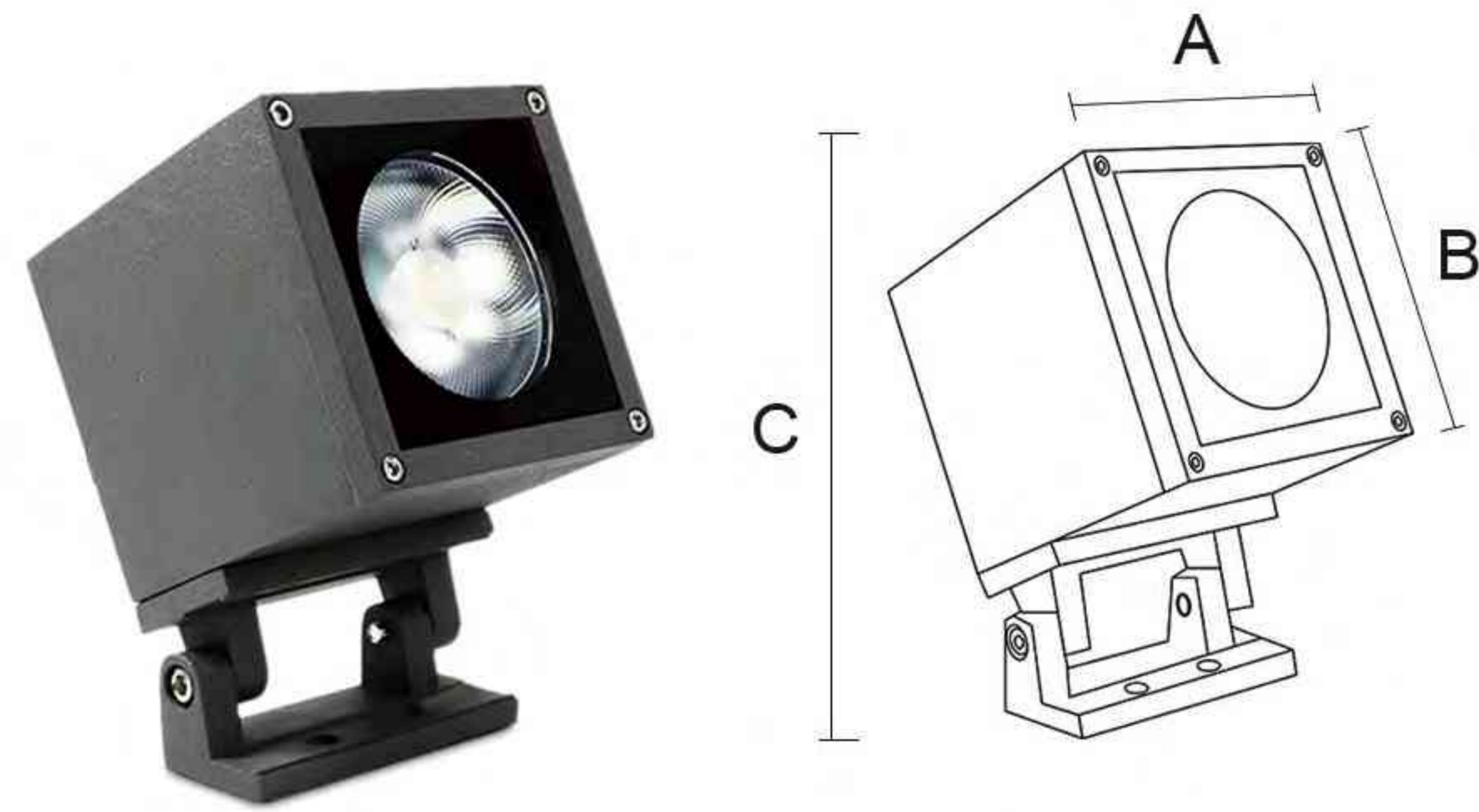


## Technical Date (技术参数)

Item No.	Lamp Type	Power	LM	CCT	PF	Voltage	CRI	A	B	C (mm)
MB23-060690	LED	8W	560	2700K-6000K	0.6	AC110-265V	80-90	90	90	110
MB23-0606120	LED	18W	1260	2700K-6000K	0.6	AC110-265V	80-90	120	120	160
MB23-0606145	LED	32W	2240	2700K-6000K	0.9	AC110-265V	80-90	145	145	180
MB23-0606200	LED	72W	5040	2700K-6000K	0.9	AC110-265V	80-90	200	200	210
MB23-060790	LED	8W	560	2700K-6000K	0.6	AC110-265V	80-90	90	90	110
MB23-0607120	LED	18W	1260	2700K-6000K	0.6	AC110-265V	80-90	120	120	160
MB23-0607145	LED	32W	2240	2700K-6000K	0.9	AC110-265V	80-90	145	145	180
MB23-0607200	LED	72W	5040	2700K-6000K	0.9	AC110-265V	80-90	200	200	210



# MB23-0609



## Features&Benefit (功能和优点)

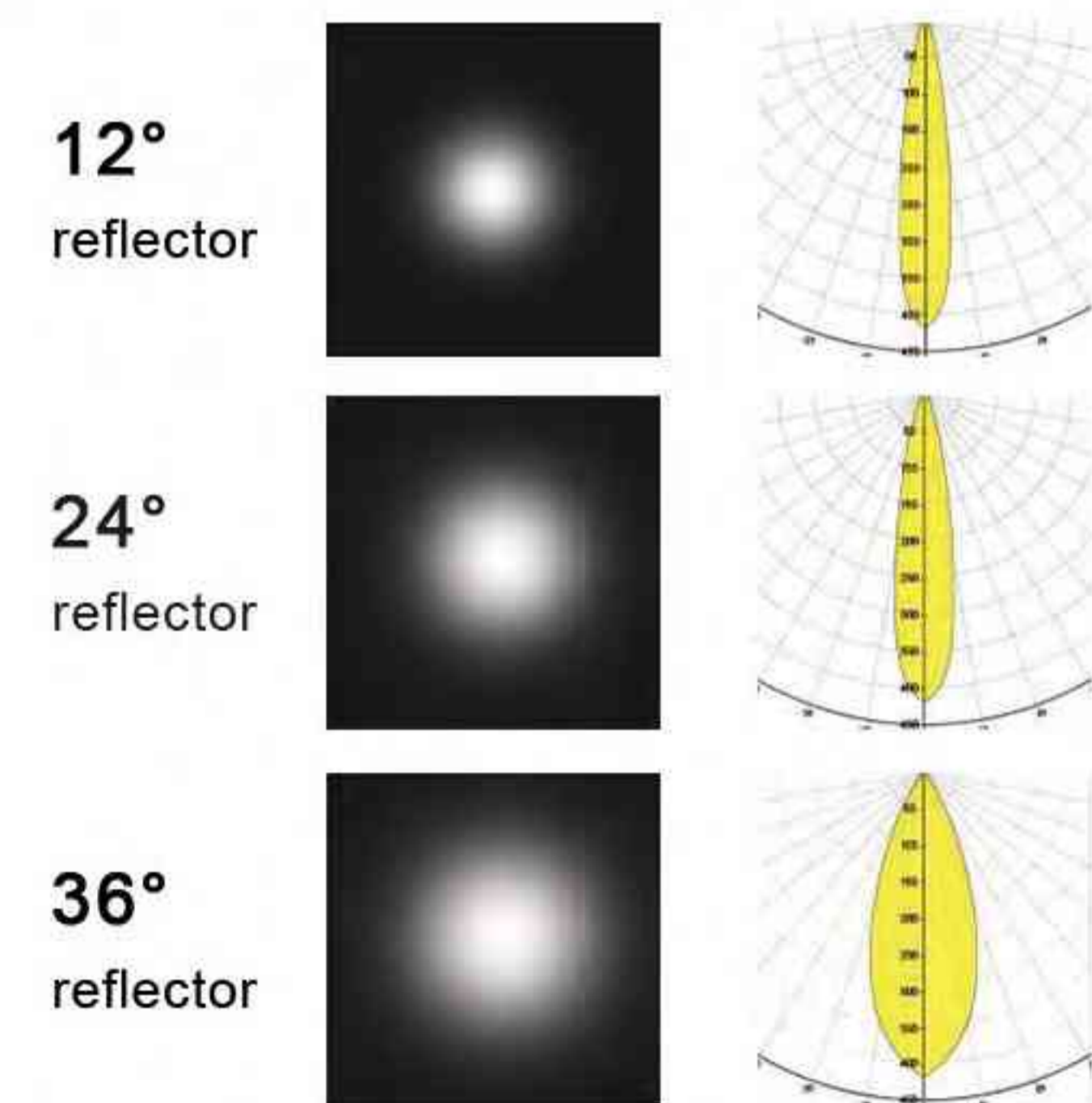
Category (品类)	Spot Light
Diffuser Material (扩散器材质)	Glass
Cover Material (面盖材质)	Aluminum
Operating mode (运行)	Built in
Steuerbar (开关)	On/Off
IP (防水等级)	65
Mounting type (安装类型)	Put
Mounting location (安装位置)	Overground
Application environment (应用环境)	Indoor/Outdoor
Body color (表面颜色)	Black/Dark Gray/Sliver Gray



## Product Description (产品描述)

Suitable for villas, courtyards, terraces, gardens or neighborhoods and other landscapes; a variety of angles and a variety of power options to meet the different light and brightness; close to the flowers and shrubs can be illuminated, and the distance can be illuminated by medium-sized trees landscape.

## Beam Angle (光束角度)



## Technical Date (技术参数)

Item No.	Lamp Type	Power	LM	CCT	PF	Voltage	CRI	A	B	C (mm)
MB23-060990	LED	15W	1050	2700K-6000K	0.6	AC110-265V	80-90	90	90	140
MB23-0609125	LED	20W	1400	2700K-6000K	0.9	AC110-265V	80-90	125	125	165



# MB23-0610/MB23-0611 MB23-0612/MB23-0613

## Features&Benefit (功能和优点)

Category (品类)	Spot Light
Diffuser Material (扩散器材质)	Glass
Cover Material (面盖材质)	Aluminum
Operating mode (运行)	Built in
Steuerbar (开关)	On/Off
IP (防水等级)	65
Mounting type (安装类型)	Put
Mounting location (安装位置)	Overground
Application environment (应用环境)	Indoor/Outdoor
Body color (表面颜色)	Black/Dark Gray/Sliver Gray

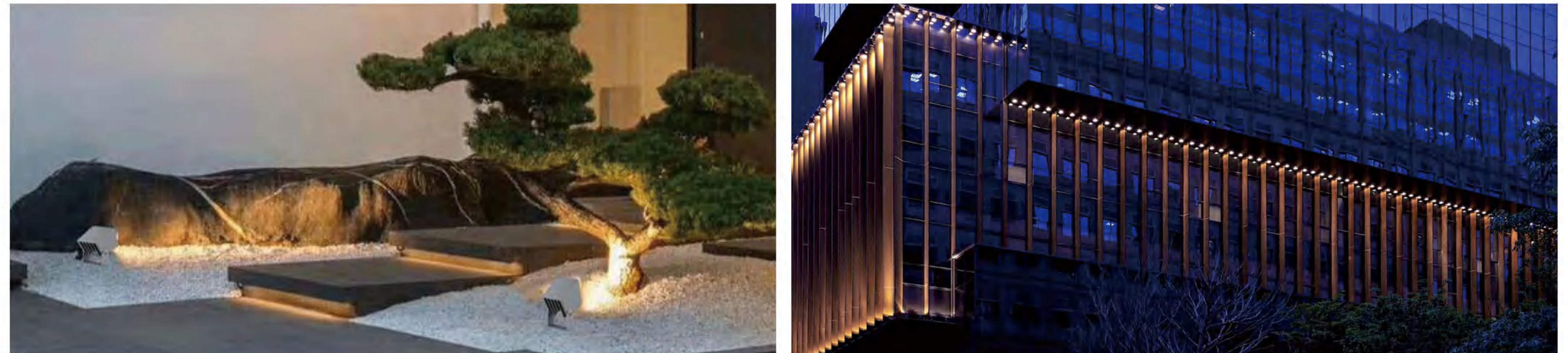
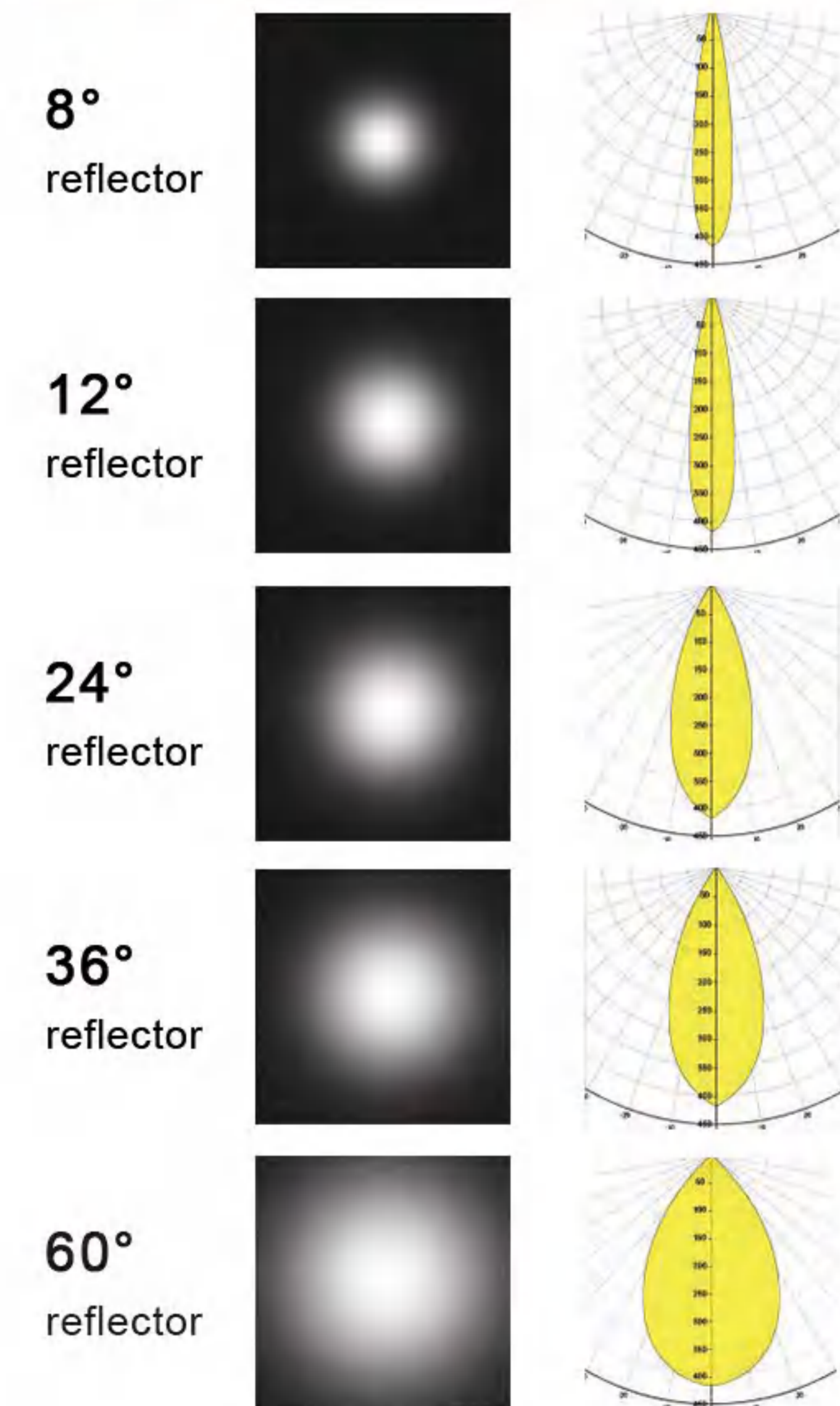


## Product Description (产品描述)

Suitable for villas, courtyards, terraces, gardens or neighborhoods and other landscapes; a variety of angles and a variety of power options to meet the different light and brightness; close to the flowers and shrubs can be illuminated, and the distance can be illuminated by medium-sized trees landscape.



## Beam Angle (光束角度)



## Technical Date (技术参数)

Item No.	Lamp Type	Power	LM	CCT	PF	Voltage	CRI	A	B	C (mm)
MB23-0610	LED	8W	560	2700K-6000K	0.6	AC110-265V	80-90	65	65	105
MB23-0611	LED	8W	560	2700K-6000K	0.6	AC110-265V	80-90	65	65	105
MB23-0612	LED	12W	840	2700K-6000K	0.6	AC110-265V	80-90	100	65	105
MB23-0613	LED	12W	840	2700K-6000K	0.6	AC110-265V	80-90	100	65	105





**MB LIGHTING**  
**TFB LIGHTING**

Guangzhou Huaen Lighting Co.,Ltd

TEL: +86-18665613129

Email: [info@china-customization.com](mailto:info@china-customization.com)

Website: <https://www.tfbcustomlighting.com>