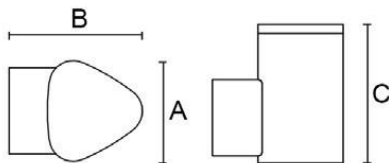


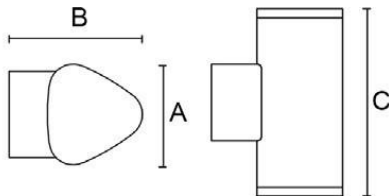
WALL LIGHTS



MB16-001



MB16-002



MB16-001

The Application of Occasions

Suitable places: Garden

Product Description

Simple and easy appearance, in line with contemporary aesthetic concept

The lamp body adopts high quality and Anti-UV ability outdoor's polycarbonate; High efficiency constant current driver, ensure the light source is maximum used.

Protection class

IP54

Material

Diffuse: Glass

Body: Aluminum

Body color

Black/Dark Gray/Silver Gray

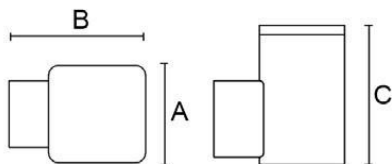


Item No.	Lamp Type	Power	LM	CCT	PF	Voltage	CRI	A	B	C (mm)
MB16-001	LED	10W	800	2700-6000K	0.6	AC110-265V	80-90	90	135	150
MB16-001	GU10/MR16	-	-	-	-	-	-	90	135	150
MB16-002	LED	2*10W	1600	2700-6000K	0.9	AC110-265V	80-90	90	135	200
MB16-002	GU10/MR16	-	-	-	-	-	-	90	135	200

WALL LIGHTS



MB16-005



MB16-005

The Application of Occasions

Suitable places: Garden

Product Description

Simple and easy appearance, in line with contemporary aesthetic concept

The lamp body adopts high quality and Anti-UV ability outdoor's polycarbonate; High efficiency constant current driver, ensure the light source is maximum used.

Protection class

IP54

Material

Diffuse: Glass

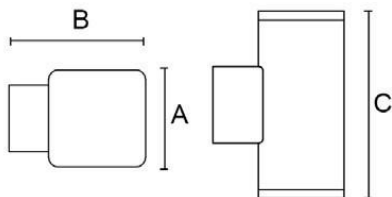
Body: Aluminum

Body color

Black/Dark Gray/Silver Gray

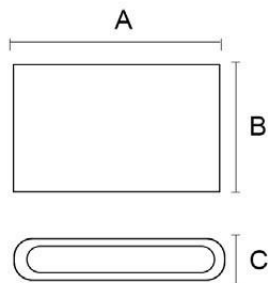


MB16-006



Item No.	Lamp Type	Power	LM	CCT	PF	Voltage	CRI	A	B	C (mm)
MB16-005	LED	10W	800	2700-6000K	0.6	AC110-265V	80-90	90	135	150
MB16-005	GU10/MR16	-	-	-	-	-	-	90	135	150
MB16-006	LED	2*10W	1600	2700-6000K	0.9	AC110-265V	80-90	90	135	200
MB16-006	GU10/MR16	-	-	-	-	-	-	90	135	200

WALL LIGHTS



MB16-053

The Application of Occasions

Suitable places: Garden

Product Description

Simple and easy appearance, in line with contemporary aesthetic concept
The lamp body adopts high quality and Anti-UV ability outdoor's polycarbonate;
High efficiency constant current driver, ensure the light source is maximum used.

Protection class

IP54

Material

Diffuse: Glass

Body: Aluminum

Body color

Black/Dark Gray/Silver Gray

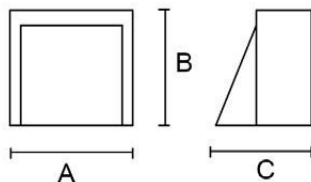


Item No.	Lamp Type	Power	LM	CCT	PF	Voltage	CRI	A	B	C (mm)
MB16-053A	LED	2*3W	480	2700K-6000K	0.6	AC110-265V	80-90	115	90	28
MB16-053B	LED	2*5W	800	2700K-6000K	0.6	AC110-265V	80-90	175	90	28

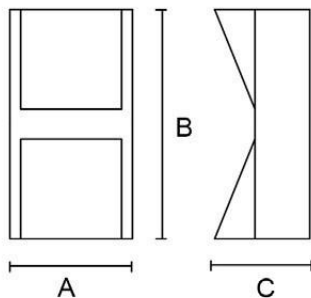
WALL LIGHTS



MB16-059A



MB16-059B



MB16-059

The Application of Occasions

Suitable places: Garden

Product Description

Simple and easy appearance, in line with contemporary aesthetic concept
The lamp body adopts high quality and Anti-UV ability outdoor's polycarbonate;
High efficiency constant current driver, ensure the light source is maximum used.

Protection class

IP54

Material

Diffuse: Glass

Body: Aluminum

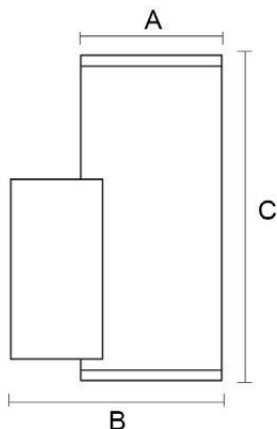
Body color

Black/Dark Gray/Silver Gray



Item No.	Lamp Type	Power	LM	CCT	PF	Voltage	CRI	A	B	C (mm)
MB16-059A	LED	5W	400	2700K-6000K	0.6	AC110-265V	80-90	81	76	63
MB16-059B	LED	2*5W	800	2700K-6000K	0.6	AC110-265V	80-90	81	142	63

WALL LIGHTS



MB19-3001

The Application of Occasions

Suitable places: Garden

Product Description

Simple and easy appearance, in line with contemporary aesthetic concept
The lamp body adopts high quality and Anti-UV ability outdoor's polycarbonate;
High efficiency constant current driver, ensure the light source is maximum used.

Protection class

IP54

Material

Diffuse: Glass

Body: Aluminum

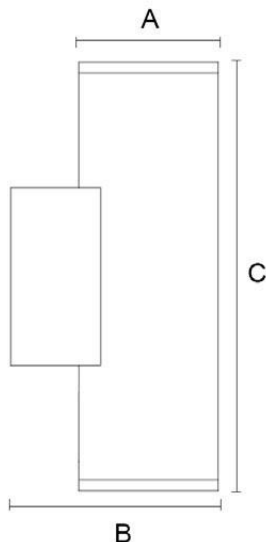
Body color

Black/Dark Gray/Silver Gray



Item No.	Lamp Type	Power	LM	CCT	PF	Voltage	CRI	A	B	C (mm)
MB19-3001A	LED	5W	400	2700K-6000K	0.6	AC110-265V	80-90	Ø65	97	150
MB19-3001B	LED	10W	800	2700K-6000K	0.6	AC110-265V	80-90	Ø90	122	160
MB19-3001C	LED	15W	1200	2700K-6000K	0.6	AC110-265V	80-90	Ø108	140	160
MB19-3001A	GU10	-	-	-	-	-	-	Ø65	97	150

WALL LIGHTS



MB19-3002

The Application of Occasions

Suitable places: Garden

Product Description

Simple and easy appearance, in line with contemporary aesthetic concept
The lamp body adopts high quality and Anti-UV ability outdoor's polycarbonate;
High efficiency constant current driver, ensure the light source is maximum used.

Protection class

IP54

Material

Diffuse: Glass

Body: Aluminum

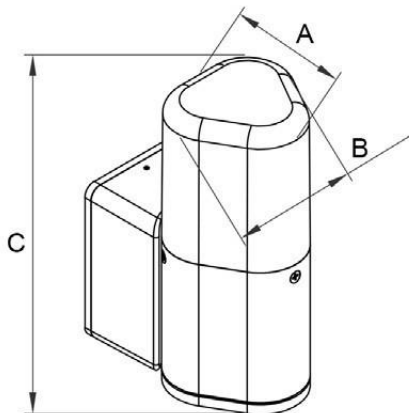
Body color

Black/Dark Gray/Silver Gray



Item No.	Lamp Type	Power	LM	CCT	PF	Voltage	CRI	A	B	C (mm)
MB19-3002A	LED	2*5W	800	2700K-6000K	0.6	AC110-265V	80-90	Ø65	97	200
MB19-3002B	LED	2*10W	1600	2700K-6000K	0.9	AC110-265V	80-90	Ø90	122	250
MB19-3002C	LED	2*15W	2400	2700K-6000K	0.9	AC110-265V	80-90	Ø108	140	250
MB19-3002A	GU10	-	-	-	-	-	-	Ø65	97	200

WALL LIGHTS



MB23-0401

The Application of Occasions

Suitable places: Garden

Product Description

Simple and easy appearance, in line with contemporary aesthetic concept
The lamp body adopts high quality and Anti-UV ability outdoor's polycarbonate;
High efficiency constant current driver, ensure the light source is maximum used.

Protection class

IP54

Material

Diffuse: PC

Body: Aluminum

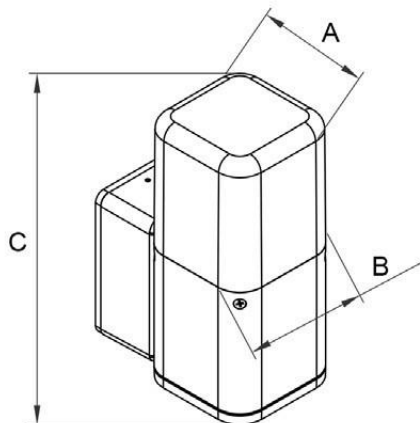
Body color

Black/Dark Gray/Silver Gray



Item No.	Lamp Type	Power	LM	CCT	PF	Voltage	CRI	A	B	C (mm)
MB23-040190	E14/GU10	-	-	-	-	-	-	90	90	260
MB23-0401125	E27/GU10	-	-	-	-	-	-	125	125	260

WALL LIGHTS



MB23-0402

The Application of Occasions

Suitable places: Garden

Product Description

Simple and easy appearance, in line with contemporary aesthetic concept
The lamp body adopts high quality and Anti-UV ability outdoor's polycarbonate;
High efficiency constant current driver, ensure the light source is maximum used.

Protection class

IP54

Material

Diffuse: PC
Body: Aluminum

Body color

Black/Dark Gray/Silver Gray



Item No.	Lamp Type	Power	LM	CCT	PF	Voltage	CRI	A	B	C (mm)
MB23-040290	E14/GU10	-	-	-	-	-	-	90	90	260
MB23-0402120	E27/GU10	-	-	-	-	-	-	125	125	260

WALL LIGHTS

MB23-0403

The Application of Occasions

Suitable places: Garden

Product Description

Simple and easy appearance, in line with contemporary aesthetic concept
The lamp body adopts high quality and Anti-UV ability outdoor's polycarbonate;
High efficiency constant current driver, ensure the light source is maximum used.

Protection class

IP54

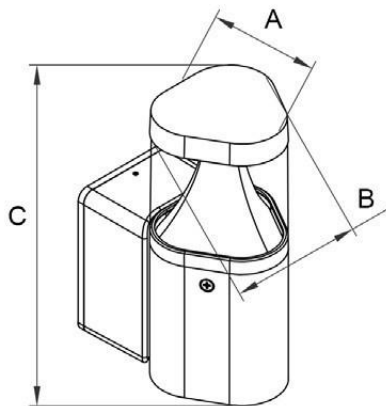
Material

Diffuse: PC

Body: Aluminum

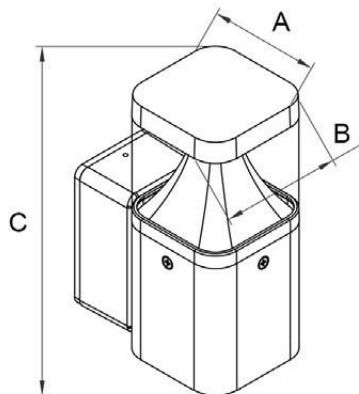
Body color

Black/Dark Gray/Silver Gray



Item No.	Lamp Type	Power	LM	CCT	PF	Voltage	CRI	A	B	C (mm)
MB23-040390	LED	10W	800	2700K-6000K	0.6	AC110-265V	80-90	90	90	205
MB23-0403125	LED	10W	800	2700K-6000K	0.6	AC110-265V	80-90	125	125	230

WALL LIGHTS



MB23-0404

The Application of Occasions

Suitable places: Garden

Product Description

Simple and easy appearance, in line with contemporary aesthetic concept
The lamp body adopts high quality and Anti-UV ability outdoor's polycarbonate;
High efficiency constant current driver, ensure the light source is maximum used.

Protection class

IP54

Material

Diffuse: PC

Body: Aluminum

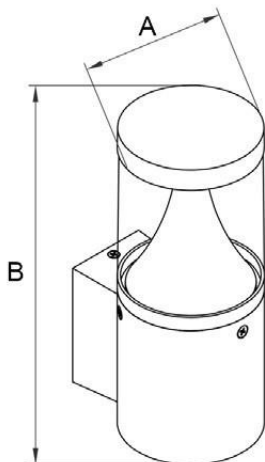
Body color

Black/Dark Gray/Silver Gray



Item No.	Lamp Type	Power	LM	CCT	PF	Voltage	CRI	A	B	C (mm)
MB23-040490	LED	10W	800	2700K-6000K	0.6	AC110-265V	80-90	90	90	205
MB23-0404120	LED	10W	800	2700K-6000K	0.6	AC110-265V	80-90	125	125	230

WALL LIGHTS



MB23-0405

The Application of Occasions

Suitable places: Garden

Product Description

Simple and easy appearance, in line with contemporary aesthetic concept

The lamp body adopts high quality and Anti-UV ability outdoor's polycarbonate; High efficiency constant current driver, ensure the light source is maximum used.

Protection class

IP54

Material

Diffuse: PC

Body: Aluminum

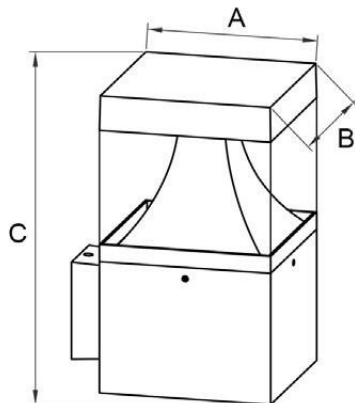
Body color

Black/Dark Gray/Silver Gray



Item No.	Lamp Type	Power	LM	CCT	PF	Voltage	CRI	A	B	C (mm)
MB23-040590	LED	6W	480	2700K-6000K	0.6	AC110-265V	80-90	Ø90	220	-
MB23-0405108	LED	9W	720	2700K-6000K	0.6	AC110-265V	80-90	Ø108	230	-
MB23-0405150	LED	12W	960	2700K-6000K	0.6	AC110-265V	80-90	Ø150	270	-

WALL LIGHTS



MB23-0406

The Application of Occasions

Suitable places: Garden

Product Description

Simple and easy appearance, in line with contemporary aesthetic concept
The lamp body adopts high quality and Anti-UV ability outdoor's polycarbonate;
High efficiency constant current driver, ensure the light source is maximum used.

Protection class

IP54

Material

Diffuse: PC
Body: Aluminum

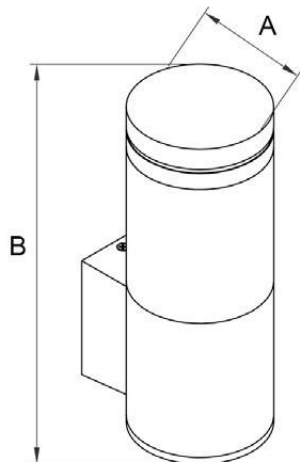
Body color

Black/Dark Gray/Silver Gray



Item No.	Lamp Type	Power	LM	CCT	PF	Voltage	CRI	A	B	C (mm)
MB23-0406	LED	12W	960	2700K-6000K	0.6	AC110-265V	80-90	150	150	260

WALL LIGHTS



MB23-0407

The Application of Occasions

Suitable places: Garden

Product Description

Simple and easy appearance, in line with contemporary aesthetic concept
The lamp body adopts high quality and Anti-UV ability outdoor's polycarbonate;
High efficiency constant current driver, ensure the light source is maximum used.

Protection class

IP54

Material

Diffuse: Acrylic

Body: Aluminum

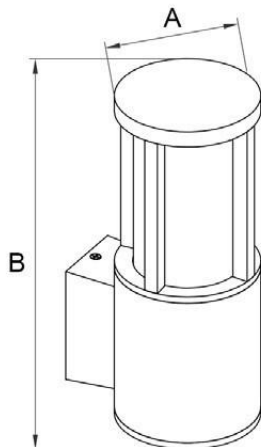
Body color

Black/Dark Gray/Silver Gray



Item No.	Lamp Type	Power	LM	CCT	PF	Voltage	CRI	A	B	C (mm)
MB23-0407	LED	7W	560	2700K-6000K	0.6	AC110-265V	80-90	Ø90	235	-

WALL LIGHTS



MB23-0408

The Application of Occasions

Suitable places: Garden

Product Description

Simple and easy appearance, in line with contemporary aesthetic concept
The lamp body adopts high quality and Anti-UV ability outdoor's polycarbonate;
High efficiency constant current driver, ensure the light source is maximum used.

Protection class

IP54

Material

Diffuse: PC
Body: Aluminum

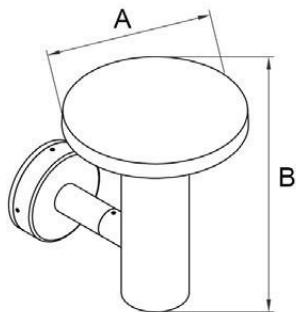
Body color

Black/Dark Gray/Silver Gray



Item No.	Lamp Type	Power	LM	CCT	PF	Voltage	CRI	A	B	C (mm)
MB23-0408	LED	7W	560	2700K-6000K	0.6	AC110-265V	80-90	Ø100	250	-

WALL LIGHTS



MB23-0409

The Application of Occasions

Suitable places: Garden

Product Description

Simple and easy appearance, in line with contemporary aesthetic concept
The lamp body adopts high quality and Anti-UV ability outdoor's polycarbonate;
High efficiency constant current driver, ensure the light source is maximum used.

Protection class

IP54

Material

Diffuse: PC

Body: Aluminum

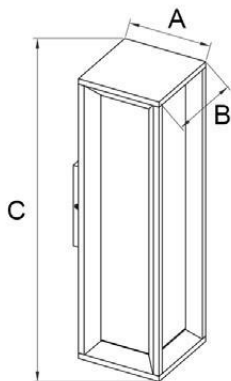
Body color

Black/Dark Gray/Silver Gray



Item No.	Lamp Type	Power	LM	CCT	PF	Voltage	CRI	A	B	C (mm)
MB23-0409	LED	10W	800	2700K-6000K	0.6	AC110-265V	80-90	Ø150	180	-

WALL LIGHTS



MB23-0410

The Application of Occasions

Suitable places: Garden

Product Description

Simple and easy appearance, in line with contemporary aesthetic concept
The lamp body adopts high quality and Anti-UV ability outdoor's polycarbonate;
High efficiency constant current driver, ensure the light source is maximum used.

Protection class

IP54

Material

Diffuse: Acrylic

Body: Aluminum

Body color

Black/Dark Gray/Silver Gray

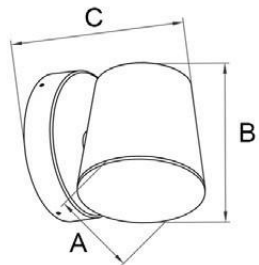


Item No.	Lamp Type	Power	LM	CCT	PF	Voltage	CRI	A	B	C (mm)
MB23-0410	LED	15W	1200	2700K-6000K	0.6	AC110-265V	80-90	150	150	520

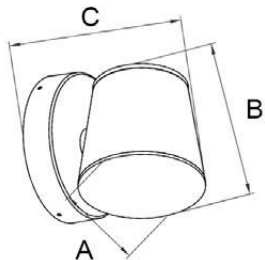
WALL LIGHTS



MB23-0411



MB23-0412



MB23-0411

The Application of Occasions

Suitable places: Garden

Product Description

Simple and easy appearance, in line with contemporary aesthetic concept
The lamp body adopts high quality and Anti-UV ability outdoor's polycarbonate;
High efficiency constant current driver, ensure the light source is maximum used.

Protection class

IP54

Material

Diffuse: PC

Body: Aluminum

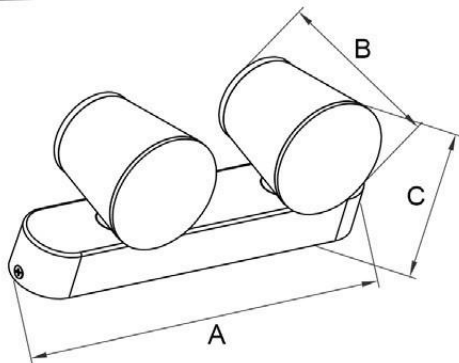
Body color

Black/Dark Gray/Silver Gray



Item No.	Lamp Type	Power	LM	CCT	PF	Voltage	CRI	A	B	C (mm)
MB23-0411	LED	5W	400	2700K-6000K	0.6	AC110-265V	80-90	120	120	125
MB23-0412	LED	5+3W	640	2700K-6000K	0.6	AC110-265V	80-90	120	120	125

WALL LIGHTS



MB23-0413

The Application of Occasions

Suitable places: Garden

Product Description

Simple and easy appearance, in line with contemporary aesthetic concept
The lamp body adopts high quality and Anti-UV ability outdoor's polycarbonate;
High efficiency constant current driver, ensure the light source is maximum used.

Protection class

IP54

Material

Diffuse: PC

Body: Aluminum

Body color

Black/Dark Gray/Silver Gray



Item No.	Lamp Type	Power	LM	CCT	PF	Voltage	CRI	A	B	C (mm)
MB23-0413	LED	(5+3W)*2	1280	2700K-6000K	0.6	AC110-265V	80-90	260	80	125

WALL LIGHTS

MB23-0414

The Application of Occasions

Suitable places: Garden

Product Description

Simple and easy appearance, in line with contemporary aesthetic concept
The lamp body adopts high quality and Anti-UV ability outdoor's polycarbonate;
High efficiency constant current driver, ensure the light source is maximum used.

Protection class

IP54

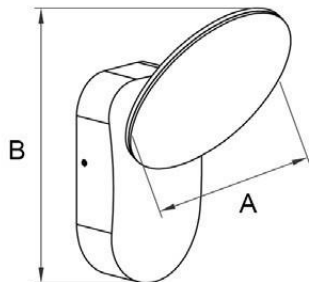
Material

Diffuse: PC

Body: Aluminum

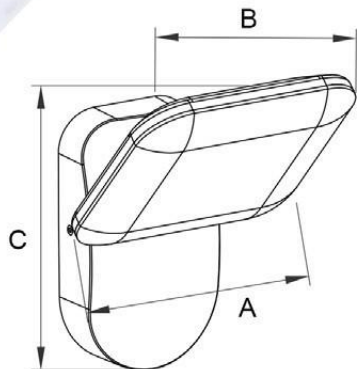
Body color

Black/Dark Gray/Silver Gray



Item No.	Lamp Type	Power	LM	CCT	PF	Voltage	CRI	A	B	C (mm)
MB23-0414	LED	7W	560	2700K-6000K	0.6	AC110-265V	80-90	Ø130	200	-

WALL LIGHTS



MB23-0415

The Application of Occasions

Suitable places: Garden

Product Description

Simple and easy appearance, in line with contemporary aesthetic concept
The lamp body adopts high quality and Anti-UV ability outdoor's polycarbonate;
High efficiency constant current driver, ensure the light source is maximum used.

Protection class

IP54

Material

Diffuse: PC

Body: Aluminum

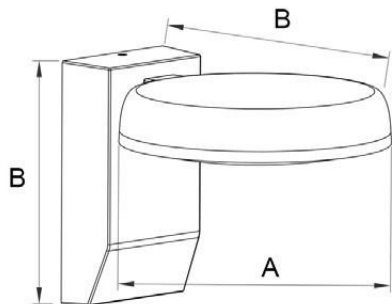
Body color

Black/Dark Gray/Silver Gray



Item No.	Lamp Type	Power	LM	CCT	PF	Voltage	CRI	A	B	C (mm)
MB23-0415	LED	7W	560	2700K-6000K	0.6	AC110-265V	80-90	130	135	180

WALL LIGHTS



MB23-0416

The Application of Occasions

Suitable places: Garden

Product Description

Simple and easy appearance, in line with contemporary aesthetic concept
The lamp body adopts high quality and Anti-UV ability outdoor's polycarbonate;
High efficiency constant current driver, ensure the light source is maximum used.

Protection class

IP54

Material

Diffuse: PC

Body: Aluminum

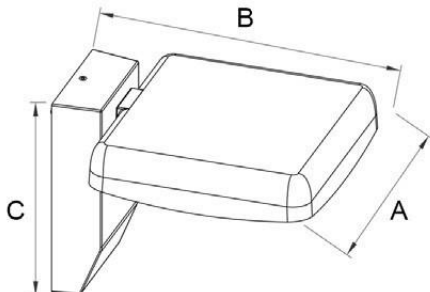
Body color

Black/Dark Gray/Silver Gray



Item No.	Lamp Type	Power	LM	CCT	PF	Voltage	CRI	A	B	C (mm)
MB23-0416	LED	12W	960	2700K-6000K	0.6	AC110-265V	80-90	Ø160	195	145

WALL LIGHTS



MB23-0417

The Application of Occasions

Suitable places: Garden

Product Description

Simple and easy appearance, in line with contemporary aesthetic concept
The lamp body adopts high quality and Anti-UV ability outdoor's polycarbonate;
High efficiency constant current driver, ensure the light source is maximum used.

Protection class

IP54

Material

Diffuse: PC

Body: Aluminum

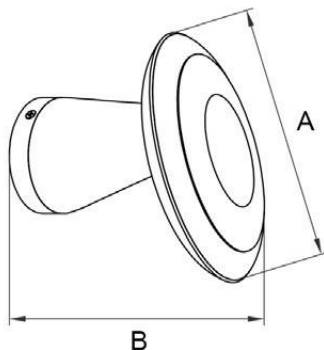
Body color

Black/Dark Gray/Silver Gray



Item No.	Lamp Type	Power	LM	CCT	PF	Voltage	CRI	A	B	C (mm)
MB23-0417	LED	12W	960	2700K-6000K	0.6	AC110-265V	80-90	160	195	145

WALL LIGHTS



MB23-0418

The Application of Occasions

Suitable places: Garden

Product Description

Simple and easy appearance, in line with contemporary aesthetic concept
The lamp body adopts high quality and Anti-UV ability outdoor's polycarbonate;
High efficiency constant current driver, ensure the light source is maximum used.

Protection class

IP54

Material

Diffuse: PC

Body: Aluminum

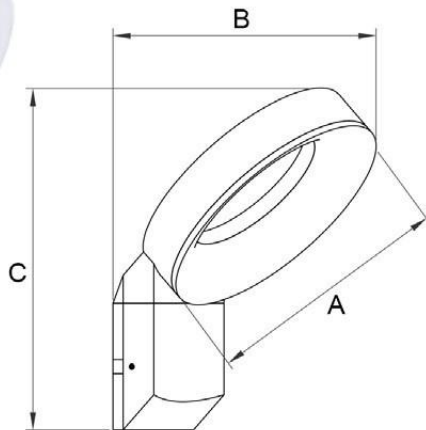
Body color

Black/Dark Gray/Silver Gray



Item No.	Lamp Type	Power	LM	CCT	PF	Voltage	CRI	A	B	C (mm)
MB23-0418	LED	12W	960	2700K-6000K	0.6	AC110-265V	80-90	Ø200	200	-

WALL LIGHTS



MB23-0419

The Application of Occasions

Suitable places: Garden

Product Description

Simple and easy appearance, in line with contemporary aesthetic concept
The lamp body adopts high quality and Anti-UV ability outdoor's polycarbonate;
High efficiency constant current driver, ensure the light source is maximum used.

Protection class

IP54

Material

Diffuse: PC
Body: Aluminum

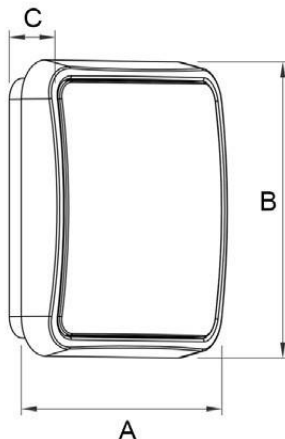
Body color

Black/Dark Gray/Silver Gray



Item No.	Lamp Type	Power	LM	CCT	PF	Voltage	CRI	A	B	C (mm)
MB23-0419	LED	12W	960	2700K-6000K	0.6	AC110-265V	80-90	Ø180	155	290

WALL LIGHTS



MB23-0420

The Application of Occasions

Suitable places: Garden

Product Description

Simple and easy appearance, in line with contemporary aesthetic concept
The lamp body adopts high quality and Anti-UV ability outdoor's polycarbonate;
High efficiency constant current driver, ensure the light source is maximum used.

Protection class

IP54

Material

Diffuse: PC

Body: Aluminum

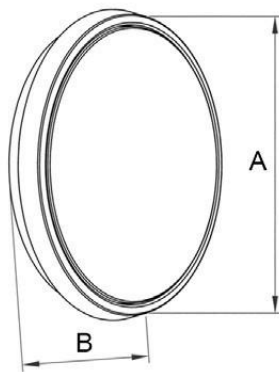
Body color

Black/Dark Gray/Silver Gray



Item No.	Lamp Type	Power	LM	CCT	PF	Voltage	CRI	A	B	C (mm)
MB23-0420175	LED	12W	960	2700K-6000K	0.6	AC110-265V	80-90	175	175	50
MB23-0420245	LED	15W	1200	2700K-6000K	0.6	AC110-265V	80-90	245	245	50

WALL LIGHTS



MB23-0421

The Application of Occasions

Suitable places: Garden

Product Description

Simple and easy appearance, in line with contemporary aesthetic concept
The lamp body adopts high quality and Anti-UV ability outdoor's polycarbonate;
High efficiency constant current driver, ensure the light source is maximum used.

Protection class

IP54

Material

Diffuse: PC

Body: Aluminum

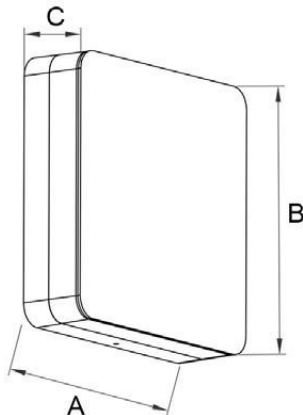
Body color

Black/Dark Gray/Silver Gray



Item No.	Lamp Type	Power	LM	CCT	PF	Voltage	CRI	A	B	C (mm)
MB23-0421175	LED	12W	960	2700K-6000K	0.6	AC110-265V	80-90	Ø175	50	-
MB23-0421245	LED	15W	1200	2700K-6000K	0.6	AC110-265V	80-90	Ø245	50	-

WALL LIGHTS



MB23-0422

The Application of Occasions

Suitable places: Garden

Product Description

Simple and easy appearance, in line with contemporary aesthetic concept
The lamp body adopts high quality and Anti-UV ability outdoor's polycarbonate;
High efficiency constant current driver, ensure the light source is maximum used.

Protection class

IP54

Material

Diffuse: PC

Body: Aluminum

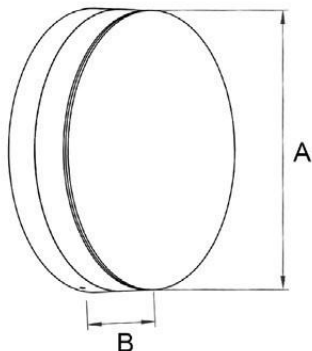
Body color

Black/Dark Gray/Silver Gray



Item No.	Lamp Type	Power	LM	CCT	PF	Voltage	CRI	A	B	C (mm)
MB23-0422155	LED	10W	800	2700K-6000K	0.6	AC110-265V	80-90	155	155	55
MB23-0422220	LED	15W	1200	2700K-6000K	0.6	AC110-265V	80-90	220	220	55

WALL LIGHTS



MB23-0423

The Application of Occasions

Suitable places: Garden

Product Description

Simple and easy appearance, in line with contemporary aesthetic concept
The lamp body adopts high quality and Anti-UV ability outdoor's polycarbonate;
High efficiency constant current driver, ensure the light source is maximum used.

Protection class

IP54

Material

Diffuse: PC

Body: Aluminum

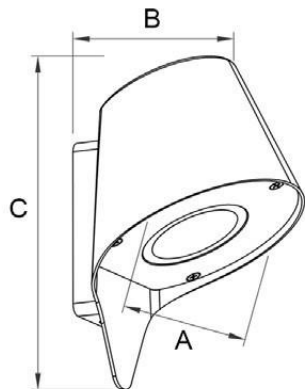
Body color

Black/Dark Gray/Silver Gray



Item No.	Lamp Type	Power	LM	CCT	PF	Voltage	CRI	A	B	C (mm)
MB23-0423155	LED	10W	800	2700K-6000K	0.6	AC110-265V	80-90	155	55	-
MB23-0423220	LED	15W	1200	2700K-6000K	0.6	AC110-265V	80-90	220	55	-

WALL LIGHTS



MB23-0424

The Application of Occasions

Suitable places: Garden

Product Description

Simple and easy appearance, in line with contemporary aesthetic concept
The lamp body adopts high quality and Anti-UV ability outdoor's polycarbonate;
High efficiency constant current driver, ensure the light source is maximum used.

Protection class

IP54

Material

Diffuse: Glass

Body: Aluminum

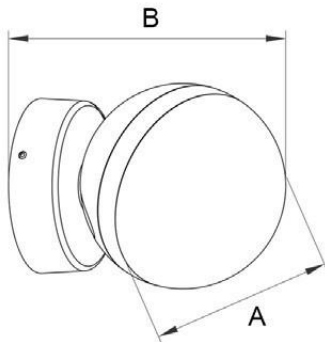
Body color

Black/Dark Gray/Silver Gray



Item No.	Lamp Type	Power	LM	CCT	PF	Voltage	CRI	A	B	C (mm)
MB23-0424	LED	10W	800	2700K-6000K	0.6	AC110-265V	80-90	Ø130	125	185
MB23-0424	GU10	-	-	-	-	-	-	Ø130	125	185

WALL LIGHTS



MB23-0425

The Application of Occasions

Suitable places: Garden

Product Description

Simple and easy appearance, in line with contemporary aesthetic concept
The lamp body adopts high quality and Anti-UV ability outdoor's polycarbonate;
High efficiency constant current driver, ensure the light source is maximum used.

Protection class

IP54

Material

Diffuse: PC

Body: Aluminum

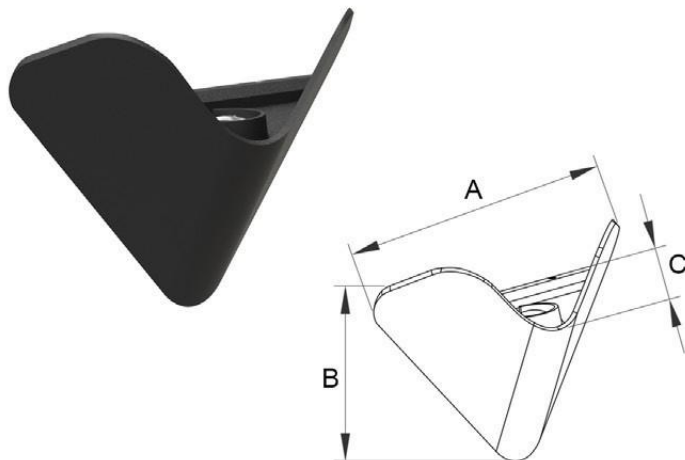
Body color

Black/Dark Gray/Silver Gray



Item No.	Lamp Type	Power	LM	CCT	PF	Voltage	CRI	A	B	C (mm)
MB23-0425	LED	5W	400	2700K-6000K	0.6	AC110-265V	80-90	Ø130	164	-

WALL LIGHTS



MB23-0426

The Application of Occasions

Suitable places: Garden

Product Description

Simple and easy appearance, in line with contemporary aesthetic concept
The lamp body adopts high quality and Anti-UV ability outdoor's polycarbonate;
High efficiency constant current driver, ensure the light source is maximum used.

Protection class

IP54

Material

Diffuse: Glass

Body: Aluminum

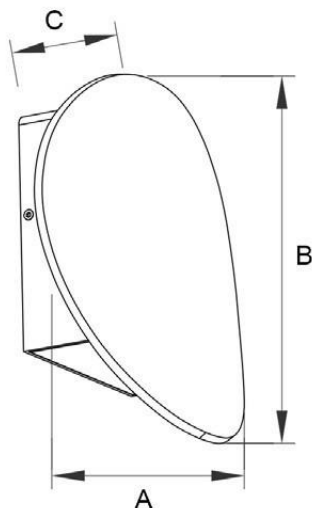
Body color

Black/Dark Gray/Silver Gray



Item No.	Lamp Type	Power	LM	CCT	PF	Voltage	CRI	A	B	C (mm)
MB23-0426	LED	10W	800	2700K-6000K	0.6	AC110-265V	80-90	200	165	90

WALL LIGHTS



MB23-0427

The Application of Occasions

Suitable places: Garden

Product Description

Simple and easy appearance, in line with contemporary aesthetic concept
The lamp body adopts high quality and Anti-UV ability outdoor's polycarbonate;
High efficiency constant current driver, ensure the light source is maximum used.

Protection class

IP54

Material

Diffuse: Glass

Body: Aluminum

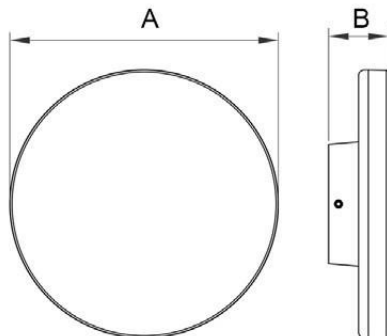
Body color

Black/Dark Gray/Silver Gray



Item No.	Lamp Type	Power	LM	CCT	PF	Voltage	CRI	A	B	C (mm)
MB23-0427	LED	5W	400	2700K-6000K	0.6	AC110-265V	80-90	180	180	70

WALL LIGHTS



MB23-0428

The Application of Occasions

Suitable places: Garden

Product Description

Simple and easy appearance, in line with contemporary aesthetic concept
The lamp body adopts high quality and Anti-UV ability outdoor's polycarbonate;
High efficiency constant current driver, ensure the light source is maximum used.

Protection class

IP54

Material

Diffuse: PC

Body: Aluminum

Body color

Black/Dark Gray/Silver Gray



Item No.	Lamp Type	Power	LM	CCT	PF	Voltage	CRI	A	B	C (mm)
MB23-0428135	LED	6W	480	2700K-6000K	0.6	AC110-265V	80-90	Ø135	30	-
MB23-0428180	LED	12W	960	2700K-6000K	0.6	AC110-265V	80-90	Ø180	30	-
MB23-0428230	LED	24W	1920	2700K-6000K	0.9	AC110-265V	80-90	Ø230	50	-

WALL LIGHTS

MB23-0429

The Application of Occasions

Suitable places: Garden

Product Description

Simple and easy appearance, in line with contemporary aesthetic concept
The lamp body adopts high quality and Anti-UV ability outdoor's polycarbonate;
High efficiency constant current driver, ensure the light source is maximum used.

Protection class

IP54

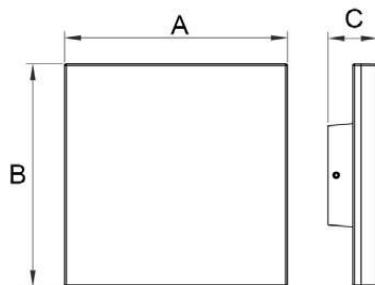
Material

Diffuse: PC

Body: Aluminum

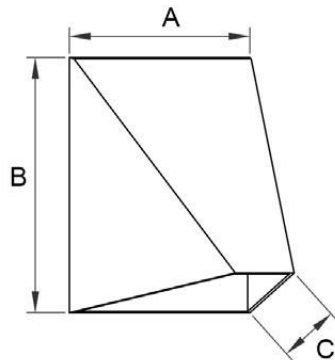
Body color

Black/Dark Gray/Silver Gray



Item No.	Lamp Type	Power	LM	CCT	PF	Voltage	CRI	A	B	C (mm)
MB23-0429135	LED	6W	480	2700K-6000K	0.6	AC110-265V	80-90	135	135	30
MB23-0429180	LED	12W	960	2700K-6000K	0.6	AC110-265V	80-90	180	180	30
MB23-0429230	LED	24W	1920	2700K-6000K	0.9	AC110-265V	80-90	230	230	50

WALL LIGHTS



MB23-0430

The Application of Occasions

Suitable places: Garden

Product Description

Simple and easy appearance, in line with contemporary aesthetic concept
The lamp body adopts high quality and Anti-UV ability outdoor's polycarbonate;
High efficiency constant current driver, ensure the light source is maximum used.

Protection class

IP54

Material

Diffuse: Glass

Body: Aluminum

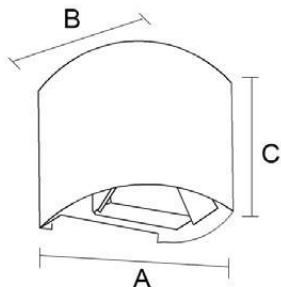
Body color

Black/Dark Gray/Silver Gray



Item No.	Lamp Type	Power	LM	CCT	PF	Voltage	CRI	A	B	C (mm)
MB23-0430120	LED	3W	240	2700K-6000K	0.6	AC110-265V	80-90	120	120	70
MB23-0430160	LED	5W	400	2700K-6000K	0.6	AC110-265V	80-90	160	160	70
MB23-0430200	LED	10W	800	2700K-6000K	0.9	AC110-265V	80-90	200	200	90

WALL LIGHTS



MB23-0431

The Application of Occasions

Suitable places: Garden

Product Description

Simple and easy appearance, in line with contemporary aesthetic concept
The lamp body adopts high quality and Anti-UV ability outdoor's polycarbonate;
High efficiency constant current driver, ensure the light source is maximum used.

Protection class

IP54

Material

Diffuse: Glass
Body: Aluminum

Body color

Black/Dark Gray/Silver Gray

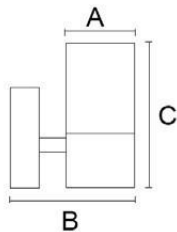


Item No.	Lamp Type	Power	LM	CCT	PF	Voltage	CRI	A	B	C (mm)
MB23-0431	LED	2*5W	800	2700K-6000K	0.6	AC110-265V	80-90	135	115	95

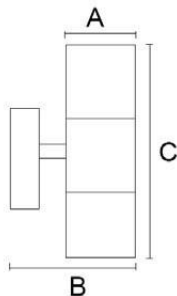
WALL LIGHTS



MB-2035



MB-2037



MB-2035

The Application of Occasions

Suitable places: Garden

Product Description

Simple and easy appearance, in line with contemporary aesthetic concept
The lamp body adopts high quality and Anti-UV ability outdoor's polycarbonate;
High efficiency constant current driver, ensure the light source is maximum used.

Protection class

IP54

Material

Diffuse: Glass

Body: Stainless steel

Body color

Black/Dark Gray/Sliver Gray

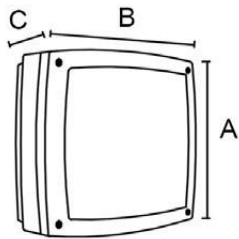


Item No.	Lamp Type	Power	LM	CCT	PF	Voltage	CRI	A	B	C (mm)
MB-2035	GU10/MR16	-	-	-	-	-	-	Ø60	115	105
MB-2037	GU10/MR16	-	-	-	-	-	-	Ø60	115	200

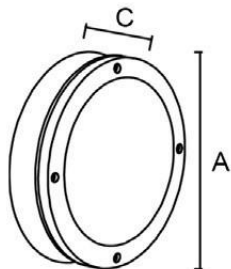
WALL LIGHTS



MB-40192



MB-40203



MB-40192

The Application of Occasions

Suitable places:Garden

Product Description

Simple and easy appearance,in line with contemporary aesthetic concept
The lamp body adopts high quality and Anti-UV ability outdoor's polycarbonate;
High efficiency constant current driver,ensure the light source is maxmum used.

Protection class

IP54

Material

Diffuse:PC

Body:Aluminum

Body color

Black/Dark Gray/Sliver Gray

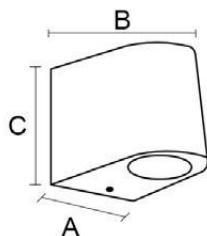


Item No.	Lamp Type	Power	LM	CCT	PF	Voltage	CRI	A	B	C (mm)
MB-40192	LED	18W	1080	2700K-6000K	0.6	AC110-265V	80-90	300	300	82
MB-40192	-	-	-	-	-	-	-	300	300	82
MB-40203	LED	18W	1080	2700K-6000K	0.6	AC110-265V	80-90	Ø300	-	82
MB-40203	-	-	-	-	-	-	-	Ø300	-	82

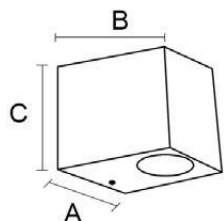
WALL LIGHTS



MB-40237



MB-40238



MB-40237

The Application of Occasions

Suitable places: Garden

Product Description

Simple and easy appearance, in line with contemporary aesthetic concept
The lamp body adopts high quality and Anti-UV ability outdoor's polycarbonate;
High efficiency constant current driver, ensure the light source is maximum used.

Protection class

IP54

Material

Diffuse: Glass

Body: Aluminum

Body color

Black/Dark Gray/Silver Gray

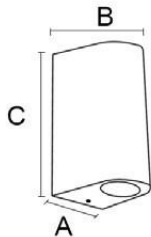


Item No.	Lamp Type	Power	LM	CCT	PF	Voltage	CRI	A	B	C (mm)
MB-40237	LED	5W	400	2700-6000K	0.6	AC110-265V	80-90	65	80	80
MB-40237	GU10/MR16	-	-	-	-	-	-	68	92	81
MB-40238	LED	5W	400	2700-6000K	0.6	AC110-265V	80-90	65	80	80
MB-40238	GU10/MR16	-	-	-	-	-	-	68	92	81

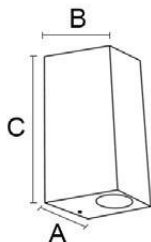
WALL LIGHTS



MB-40239



MB-40240



MB-40239

The Application of Occasions

Suitable places: Garden

Product Description

Simple and easy appearance, in line with contemporary aesthetic concept
The lamp body adopts high quality and Anti-UV ability outdoor's polycarbonate;
High efficiency constant current driver, ensure the light source is maximum used.

Protection class

IP54

Material

Diffuse: Glass
Body: Aluminum

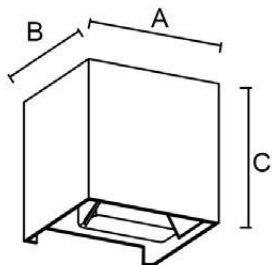
Body color

Black/Dark Gray/Silver Gray



Item No.	Lamp Type	Power	LM	CCT	PF	Voltage	CRI	A	B	C (mm)
MB-40239	LED	2*5W	800	2700-6000K	0.6	AC110-265V	80-90	65	80	150
MB-40239	GU10/MR16	-	-	-	-	-	-	68	92	150
MB-40240	LED	2*5W	800	2700-6000K	0.6	AC110-265V	80-90	65	80	150
MB-40240	GU10/MR16	-	-	-	-	-	-	68	92	150

WALL LIGHTS



MB-C009

The Application of Occasions

Suitable places: Garden

Product Description

Simple and easy appearance, in line with contemporary aesthetic concept
The lamp body adopts high quality and Anti-UV ability outdoor's polycarbonate;
High efficiency constant current driver, ensure the light source is maximum used.

Protection class

IP54

Material

Diffuse: Glass

Body: Aluminum

Body color

Black/Dark Gray/Silver Gray

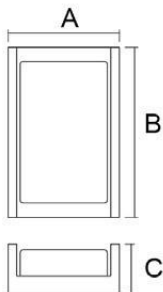


Item No.	Lamp Type	Power	LM	CCT	PF	Voltage	CRI	A	B	C (mm)
MB-C009	LED	2*5W	800	2700K-6000K	0.6	AC110-265V	80-90	100	100	100
MB-C009L	LED	2*7W	1120	2700K-6000K	0.6	AC110-265V	80-90	120	120	120

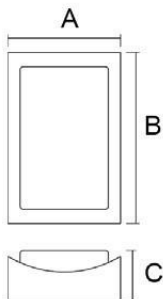
WALL LIGHTS



MB-FU807



MB-FU808



MB-FU807

The Application of Occasions

Suitable places: Garden

Product Description

Simple and easy appearance, in line with contemporary aesthetic concept
The lamp body adopts high quality and Anti-UV ability outdoor's polycarbonate;
High efficiency constant current driver, ensure the light source is maximum used.

Protection class

IP54

Material

Diffuse: PC

Body: Aluminum

Body color

Black/Dark Gray/Silver Gray

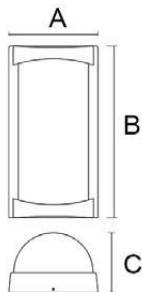


Item No.	Lamp Type	Power	LM	CCT	PF	Voltage	CRI	A	B	C (mm)
MB-FU807	LED	12W	960	2700K-6000K	0.6	AC110-265V	80-90	157	240	70
MB-FU808	LED	12W	960	2700K-6000K	0.6	AC110-265V	80-90	157	240	70

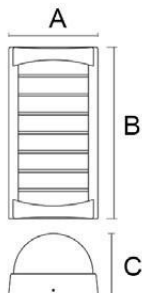
WALL LIGHTS



MB-FU810-1



MB-FU810-2



MB-FU810

The Application of Occasions

Suitable places: Garden

Product Description

Simple and easy appearance, in line with contemporary aesthetic concept
The lamp body adopts high quality and Anti-UV ability outdoor's polycarbonate;
High efficiency constant current driver, ensure the light source is maximum used.

Protection class

IP54

Material

Diffuse: PC

Body: Aluminum

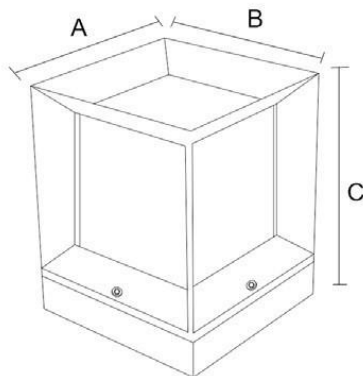
Body color

Black/Dark Gray/Silver Gray



Item No.	Lamp Type	Power	LM	CCT	PF	Voltage	CRI	A	B	C (mm)
MB-FU810-1	LED	12W	960	2700K-6000K	0.6	AC110-265V	80-90	140	270	95
MB-FU810-2	LED	12W	960	2700K-6000K	0.6	AC110-265V	80-90	140	270	95

WALL LIGHTS



MB-40319

The Application of Occasions

Suitable places: Garden

Product Description

Simple and easy appearance, in line with contemporary aesthetic concept

The lamp body adopts high quality and Anti-UV ability outdoor's polycarbonate;
High efficiency constant current driver, ensure the light source is maximum used.

Protection class

IP54

Material

Diffuse: PC

Body: Aluminum

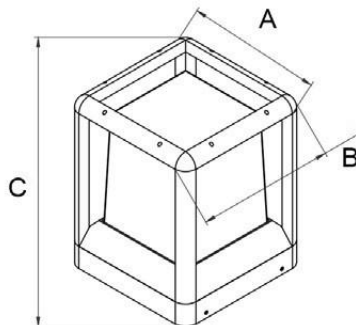
Body color

Black/Dark Gray/Sliver Gray



Item No.	Lamp Type	Power	LM	CCT	PF	Voltage	CRI	A	B	C (mm)
MB-40139S	LED	12W	960	2700K-6000K	0.6	AC110-265V	80-90	160	160	185
MB-40319S	E27	-	-	-	-	-	-	160	160	185
MB-40319M	LED	18W	1440	2700K-6000K	0.6	AC110-265V	80-90	220	220	270
MB-40319M	E27	-	-	-	-	-	-	220	220	270
MB-40319L	E27	-	-	-	-	-	-	300	300	340
MB-40319XL	E27	-	-	-	-	-	-	400	400	430

WALL LIGHTS



MB23-0701

The Application of Occasions

Suitable places: Garden

Product Description

Simple and easy appearance, in line with contemporary aesthetic concept
The lamp body adopts high quality and Anti-UV ability outdoor's polycarbonate;
High efficiency constant current driver, ensure the light source is maximum used.

Protection class

IP54

Material

Diffuse: PC

Body: Aluminum

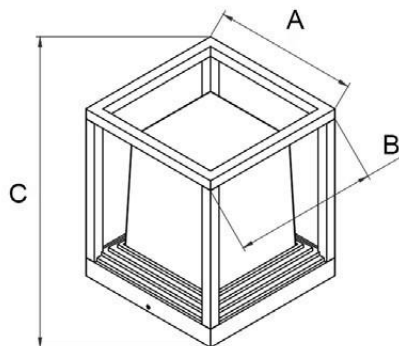
Body color

Black/Dark Gray/Silver Gray



Item No.	Lamp Type	Power	LM	CCT	PF	Voltage	CRI	A	B	C (mm)
MB23-0701170	E27	-	-	-	-	-	-	170	170	210
MB23-0701250	E27	-	-	-	-	-	-	225	225	225
MB23-07011350	E27	-	-	-	-	-	-	350	350	295

WALL LIGHTS



MB23-0702

The Application of Occasions

Suitable places: Garden

Product Description

Simple and easy appearance, in line with contemporary aesthetic concept
The lamp body adopts high quality and Anti-UV ability outdoor's polycarbonate;
High efficiency constant current driver, ensure the light source is maximum used.

Protection class

IP54

Material

Diffuse: PC

Body: Aluminum

Body color

Black/Dark Gray/Silver Gray



Item No.	Lamp Type	Power	LM	CCT	PF	Voltage	CRI	A	B	C (mm)
MB23-0702150	E27	-	-	-	-	-	-	150	150	190
MB23-0702220	E27	-	-	-	-	-	-	220	220	225
MB23-0702260	E27	-	-	-	-	-	-	260	260	325
MB23-0702320	E27	-	-	-	-	-	-	320	320	395

WALL LIGHTS

MB23-0703

The Application of Occasions

Suitable places: Garden

Product Description

Simple and easy appearance, in line with contemporary aesthetic concept
The lamp body adopts high quality and Anti-UV ability outdoor's polycarbonate;
High efficiency constant current driver, ensure the light source is maximum used.

Protection class

IP54

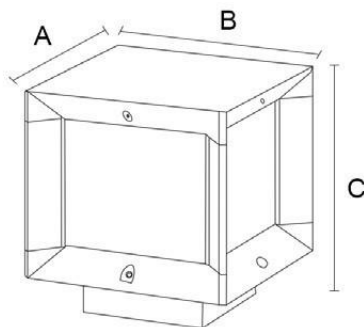
Material

Diffuse: PC

Body: Aluminum

Body color

Black/Dark Gray/Silver Gray

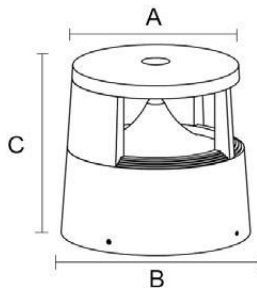


Item No.	Lamp Type	Power	LM	CCT	PF	Voltage	CRI	A	B	C (mm)
MB23-0703165	E27	-	-	-	-	-	-	165	165	255
MB23-0703245	E27	-	-	-	-	-	-	245	245	300
MB23-0703300	E27	-	-	-	-	-	-	300	300	320

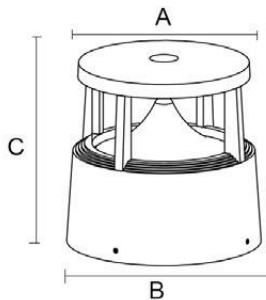
WALL LIGHTS



MB23-0704



MB23-0705



MB23-0704

The Application of Occasions

Suitable places: Garden

Product Description

Simple and easy appearance, in line with contemporary aesthetic concept
The lamp body adopts high quality and Anti-UV ability outdoor's polycarbonate;
High efficiency constant current driver, ensure the light source is maximum used.

Protection class

IP54

Material

Diffuse: PC

Body: Aluminum

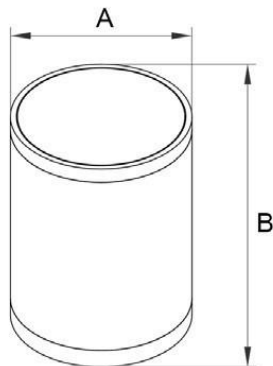
Body color

Black/Dark Gray/Sliver Gray



Item No.	Lamp Type	Power	LM	CCT	PF	Voltage	CRI	A	B	C (mm)
MB23-0704	LED	15W	1200	2700K-6000K	0.6	AC110-265V	80-90	ø180	ø203	200
MB23-0705	LED	15W	1200	2700K-6000K	0.6	AC110-265V	80-90	ø180	ø203	200

WALL LIGHTS



MB23-0901

The Application of Occasions

Suitable places: Garden

Product Description

Simple and easy appearance, in line with contemporary aesthetic concept
The lamp body adopts high quality and Anti-UV ability outdoor's polycarbonate;
High efficiency constant current driver, ensure the light source is maximum used.

Protection class

IP54

Material

Diffuse: Glass

Body: Aluminum

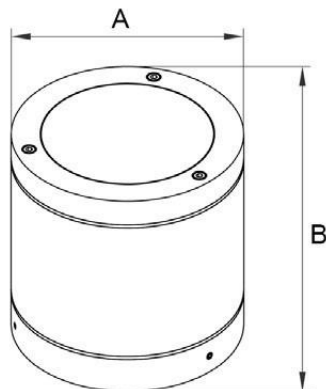
Body color

Black/Dark Gray/Sliver Gray



Item No.	Lamp Type	Power	LM	CCT	PF	Voltage	CRI	A	B	C (mm)
MB23-090165	LED	5W	400	2700K-6000K	0.6	AC110-265V	80-90	Ø65	160	-
MB23-090190	LED	10W	800	2700K-6000K	0.6	AC110-265V	80-90	Ø90	160	-
MB23-0901108	LED	15W	1200	2700K-6000K	0.6	AC110-265V	80-90	Ø108	200	-
MB23-0901145	LED	20W	1600	2700K-6000K	0.6	AC110-265V	80-90	Ø145	200	-
MB23-090165	GU10	-	-	-	-	-	-	Ø65	160	-
MB23-090190	E27	-	-	-	-	-	-	Ø90	160	-
MB23-0901108	E27	-	-	-	-	-	-	Ø108	200	-
MB23-0901145	E27	-	-	-	-	-	-	Ø145	200	-

WALL LIGHTS



MB23-0902

The Application of Occasions

Suitable places: Garden

Product Description

Simple and easy appearance, in line with contemporary aesthetic concept
The lamp body adopts high quality and Anti-UV ability outdoor's polycarbonate;
High efficiency constant current driver, ensure the light source is maximum used.

Protection class

IP54

Material

Diffuse: Glass

Body: Aluminum

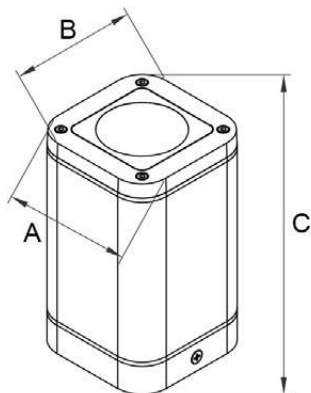
Body color

Black/Dark Gray/Silver Gray



Item No.	Lamp Type	Power	LM	CCT	PF	Voltage	CRI	A	B	C (mm)
MB23-0902A	LED	20W	1600	2700K-6000K	0.9	AC110-265V	80-90	Ø120	120	-
MB23-0902B	LED	20W	1600	2700K-6000K	0.9	AC110-265V	80-90	Ø120	180	-
MB23-0902B	E27	-	-	-	-	-	-	Ø120	180	-

WALL LIGHTS



MB23-0903

The Application of Occasions

Suitable places: Garden

Product Description

Simple and easy appearance, in line with contemporary aesthetic concept
The lamp body adopts high quality and Anti-UV ability outdoor's polycarbonate;
High efficiency constant current driver, ensure the light source is maximum used.

Protection class

IP54

Material

Diffuse: Glass

Body: Aluminum

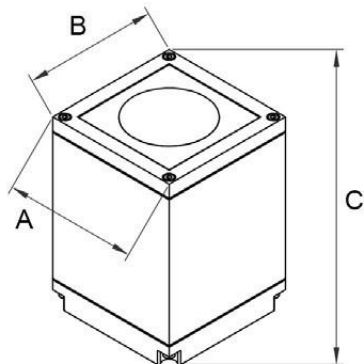
Body color

Black/Dark Gray/Silver Gray



Item No.	Lamp Type	Power	LM	CCT	PF	Voltage	CRI	A	B	C (mm)
MB23-0903	LED	10W	800	2700K-6000K	0.6	AC110-265V	80-90	90	90	150
MB23-0903	GU10	-	-	-	-	-	-	90	90	150

WALL LIGHTS



MB23-0904

The Application of Occasions

Suitable places: Garden

Product Description

Simple and easy appearance, in line with contemporary aesthetic concept
The lamp body adopts high quality and Anti-UV ability outdoor's polycarbonate;
High efficiency constant current driver, ensure the light source is maximum used.

Protection class

IP54

Material

Diffuse: Glass

Body: Aluminum

Body color

Black/Dark Gray/Silver Gray



Item No.	Lamp Type	Power	LM	CCT	PF	Voltage	CRI	A	B	C (mm)
MB23-090495	LED	10W	800	2700K-6000K	0.6	AC110-265V	80-90	95	95	132
MB23-0904125	LED	20W	1600	2700K-6000K	0.6	AC110-265V	80-90	125	125	155
MB23-0904145	LED	30W	2400	2700K-6000K	0.6	AC110-265V	80-90	145	145	155

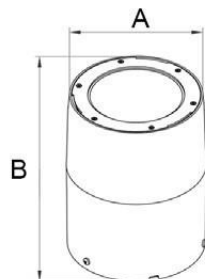
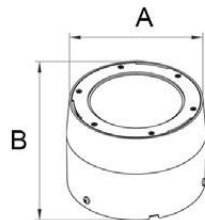
WALL LIGHTS



MB23-0906



MB23-0907



MB23-0905

The Application of Occasions

Suitable places: Garden

Product Description

Simple and easy appearance, in line with contemporary aesthetic concept
The lamp body adopts high quality and Anti-UV ability outdoor's polycarbonate;
High efficiency constant current driver, ensure the light source is maximum used.

Protection class

IP54

Material

Diffuse: Glass
Body: Aluminum

Body color

Black/Dark Gray/Silver Gray



Item No.	Lamp Type	Power	LM	CCT	PF	Voltage	CRI	A	B	C (mm)
MB23-0905	LED	10W	800	2700K-6000K	0.6	AC110-265V	80-90	Ø150	110	-
MB23-0906	LED	20W	1600	2700K-6000K	0.9	AC110-265V	80-90	Ø115	114	-



Guangzhou Huaen Lighting Co.,Ltd

Wechat/WhatsApp: +8618665613129

TEL:+86-18665613129

Email:info@china-customization.com

<https://tfbcustomlighting.com>