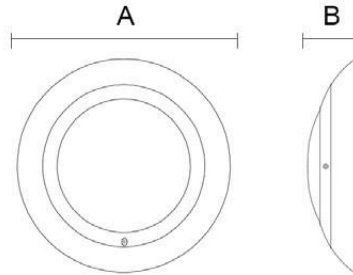


UNDERWATER LIGHTS



MB23-0801

The Application of Occasions

Suitable places: Garden

Product Description

Simple and easy appearance, in line with contemporary aesthetic concept
The lamp body adopts high quality and Anti-UV ability outdoor's polycarbonate;
High efficiency constant current driver, ensure the light source is maximum used.

Protection class

IP68

Material

Diffuse: PC

Body: Plastic

Item No.	Lamp Type	Power	LM	CCT	PF	Voltage	CRI	A	B	C (mm)
MB23-0801230	LED	12W	960	2700K-6000K/RGB	0.6	DC12/DC24V	80-90	Ø230	45	-
MB23-0801295	LED	18W	1440	2700K-6000K/RGB	0.6	DC12/DC24V	80-90	Ø295	45	-

UNDERWATER LIGHTS

MB23-0802

The Application of Occasions

Suitable places: Garden

Product Description

Simple and easy appearance, in line with contemporary aesthetic concept
The lamp body adopts high quality and Anti-UV ability outdoor's polycarbonate;
High efficiency constant current driver, ensure the light source is maximum used.

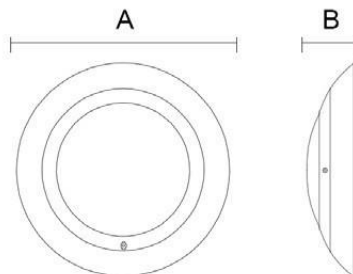
Protection class

IP68

Material

Diffuse: PC

Body: Plastic



Item No.	Lamp Type	Power	LM	CCT	PF	Voltage	CRI	A	B	C (mm)
MB23-0802230	LED	12W	960	2700K-6000K/RGB	0.6	DC12/DC24V	80-90	Ø230	45	-
MB23-0802295	LED	18W	1440	2700K-6000K/RGB	0.6	DC12/DC24V	80-90	Ø295	45	-

UNDERWATER LIGHTS

MB23-0803

The Application of Occasions

Suitable places:Garden

Product Description

Simple and easy appearance,in line with contemporary aesthetic concept
The lamp body adopts high quality and Anti-UV ability outdoor's polycarbonate;
High efficiency constant current driver,ensure the light source is maxmum used.

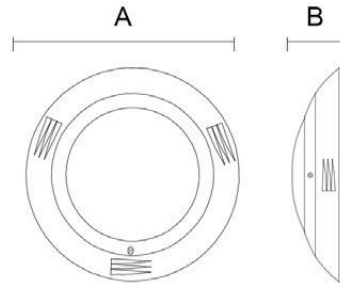
Protection class

IP68

Material

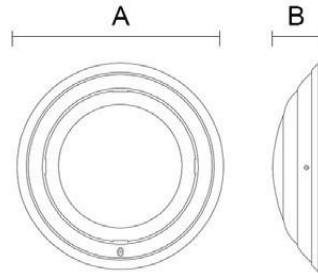
Diffuse:PC

Body:Plastic



Item No.	Lamp Type	Power	LM	CCT	PF	Voltage	CRI	A	B	C (mm)
MB23-0803230	LED	12W	960	2700K-6000K/RGB	0.6	DC12/DC24V	80-90	Ø230	45	-
MB23-0803295	LED	18W	1440	2700K-6000K/RGB	0.6	DC12/DC24V	80-90	Ø295	45	-

UNDERWATER LIGHTS



MB-2001

The Application of Occasions

Suitable places: Garden

Product Description

Simple and easy appearance, in line with contemporary aesthetic concept
The lamp body adopts high quality and Anti-UV ability outdoor's polycarbonate;
High efficiency constant current driver, ensure the light source is maximum used.

Protection class

IP68

Material

Diffuse: PC

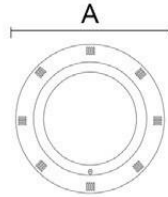
Body: Stainless steel+Plastic

Item No.	Lamp Type	Power	LM	CCT	PF	Voltage	CRI	A	B	C (mm)
MB-2001	LED	18W	1440	2700K-6000K/RGB	0.6	DC12/DC24V	80-90	Ø295	70	-
MB-2002	LED	12W	960	2700K-6000K/RGB	0.6	DC12/DC24V	80-90	Ø230	50	-

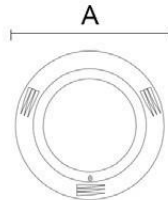
UNDERWATER LIGHTS



MB-2003



MB-2004



MB-2003

The Application of Occasions

Suitable places: Garden

Product Description

Simple and easy appearance, in line with contemporary aesthetic concept
The lamp body adopts high quality and Anti-UV ability outdoor's polycarbonate;
High efficiency constant current driver, ensure the light source is maximum used.

Protection class

IP68

Material

Diffuse: PC

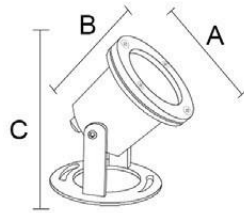
Body: Plastic

Item No.	Lamp Type	Power	LM	CCT	PF	Voltage	CRI	A	B	C (mm)
MB-2003	LED	18W	1440	2700K-6000K/RGB	0.6	DC12/DC24V	80-90	Ø295	65	-
MB-2004	LED	12W	960	2700K-6000K/RGB	0.6	DC12/DC24V	80-90	Ø265	65	-

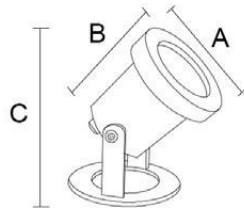
UNDERWATER LIGHTS



MB-2008



MB-2009



MB-2008

The Application of Occasions

Suitable places: Garden

Product Description

Simple and easy appearance, in line with contemporary aesthetic concept
The lamp body adopts high quality and Anti-UV ability outdoor's polycarbonate;
High efficiency constant current driver, ensure the light source is maximum used.

Protection class

IP68

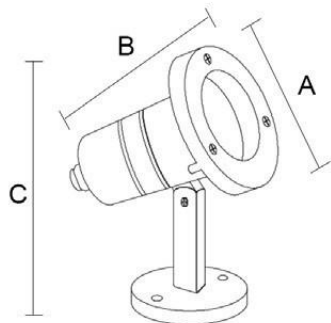
Material

Diffuse: Glass

Body: Stainless steel

Item No.	Lamp Type	Power	LM	CCT	PF	Voltage	CRI	A	B	C (mm)
MB-2008	LED	3W	240	2700K-6000K/RGB	0.6	DC12/DC24V	80-90	Ø90	70	70
MB-2009	LED	3W	240	2700K-6000K/RGB	0.6	DC12/DC24V	80-90	Ø75	72	60

UNDERWATER LIGHTS



MB-2013

The Application of Occasions

Suitable places: Garden

Product Description

Simple and easy appearance, in line with contemporary aesthetic concept. The lamp body adopts high quality and Anti-UV ability outdoor's polycarbonate; High efficiency constant current driver, ensure the light source is maximum used.

Protection class

IP68

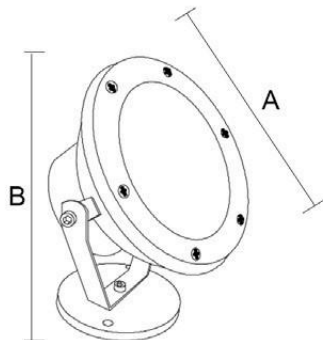
Material

Diffuse: PC

Body: Stainless steel

Item No.	Lamp Type	Power	LM	CCT	PF	Voltage	CRI	A	B	C (mm)
MB-2013	LED	3W	240	2700K-6000K/RGB	0.6	DC12/DC24V	80-90	Ø82	90	70

UNDERWATER LIGHTS



MB-2015

The Application of Occasions

Suitable places: Garden

Product Description

Simple and easy appearance, in line with contemporary aesthetic concept
The lamp body adopts high quality and Anti-UV ability outdoor's polycarbonate;
High efficiency constant current driver, ensure the light source is maximum used.

Protection class

IP68

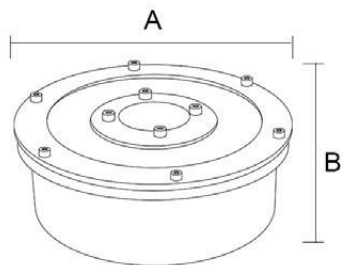
Material

Diffuse: Glass

Body: Stainless steel

Item No.	Lamp Type	Power	LM	CCT	PF	Voltage	CRI	A	B	C (mm)
MB-2015	LED	6W	480	2700K-6000K/RGB	0.6	DC12/DC24V	80-90	Ø120	140	-
MB-2016	LED	9W	720	2700K-6000K/RGB	0.6	DC12/DC24V	80-90	Ø145	180	-
MB-2031	LED	12W	960	2700K-6000K/RGB	0.6	DC12/DC24V	80-90	Ø160	190	-

UNDERWATER LIGHTS



MB-G110

The Application of Occasions

Suitable places: Garden

Product Description

Simple and easy appearance, in line with contemporary aesthetic concept

The lamp body adopts high quality and Anti-UV ability outdoor's polycarbonate; High efficiency constant current driver, ensure the light source is maximum used.

Protection class

IP68

Material

Diffuse: Glass

Body: Stainless steel

Item No.	Lamp Type	Power	LM	CCT	PF	Voltage	CRI	A	B	C (mm)
MB-G110	LED	6W	480	2700K-6000K/RGB	0.6	DC12/DC24V	80-90	Ø110	31	70
MB-G130	LED	6W	480	2700K-6000K/RGB	0.6	DC12/DC24V	80-90	Ø130	38	80
MB-G160	LED	9W	720	2700K-6000K/RGB	0.6	DC12/DC24V	80-90	Ø160	38	85
MB-G180	LED	12W	960	2700K-6000K/RGB	0.6	DC12/DC24V	80-90	Ø180	50	85
MB-G200	LED	18W	1620	2700K-6000K/RGB	0.6	DC12/DC24V	80-90	Ø200	60	85



Guangzhou Huaen Lighting Co.,Ltd

Wechat/WhatsApp: +8618665613129

TEL:+86-18665613129

Email:info@china-customization.com

<https://tfbcustomlighting.com>