



英普瑞科技（嘉兴）有限公司
Improve Technology Co., Ltd. (Jiaxing)

Add.:No.210,Yazhong Rd.,Nanhu District,Jiaxing,Zhejiang,China.314006
Tel:+86-573-82589889 82589817
E-mail:sales1@chinadooropener.com
Web:www.improvechina.com www.chinadooropener.com



IMPR**VE**
Focus on Door Supply Chain Solution

英普瑞科技（嘉兴）有限公司
Improve Technology Co., Ltd. (Jiaxing)

About Us

Improve Technology Co., Ltd(JIAXING), is a foreign-funded company registered in Jiaxing City, Zhejiang Province in 2009 by Hong Kong Improve Technology Co., Ltd. The total number of employees is 300, and the output value of 2021 is 260 million.

The company main engage in multiple production projects, including smart door control system, smart drying racks, precision steel (safety fire doors and windows and curtain wall profiles), smart non-standard equipment manufacturing and smart warehousing products.

英普瑞科技（嘉兴）有限公司，是2009年由香港英普瑞科技有限公司出资500万美元在浙江省嘉兴市注册的外资企业，员工总数300人，2021年产值2.6亿。

公司目前主要从事的生产项目有：智能门控系统、智能晾衣架、精密型钢（安全防火门窗及幕墙型材），智能非标装备制造，智能仓储等产品的研发与生产。

High-precision, Steady-production, Long-service-life roll forming machine

Autonomous research and development capacity

Company founded in 2004

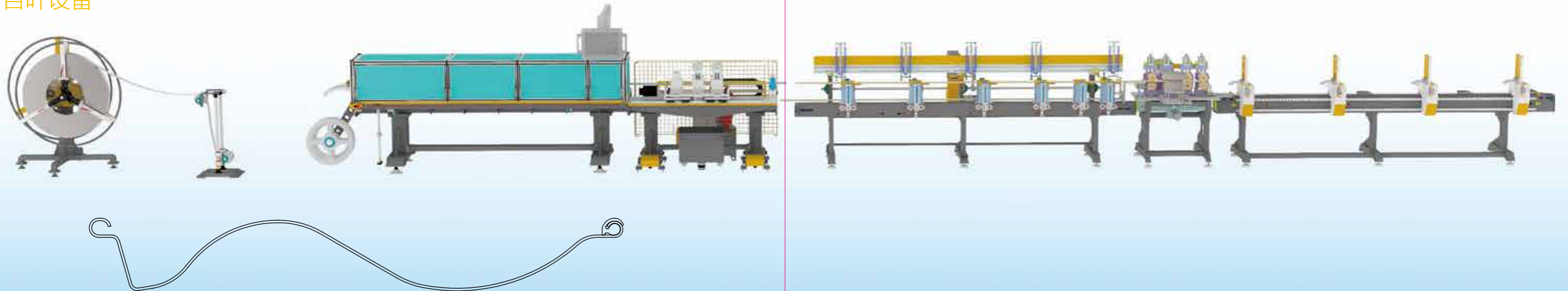
31,000 + 72000 Square meter standard plant

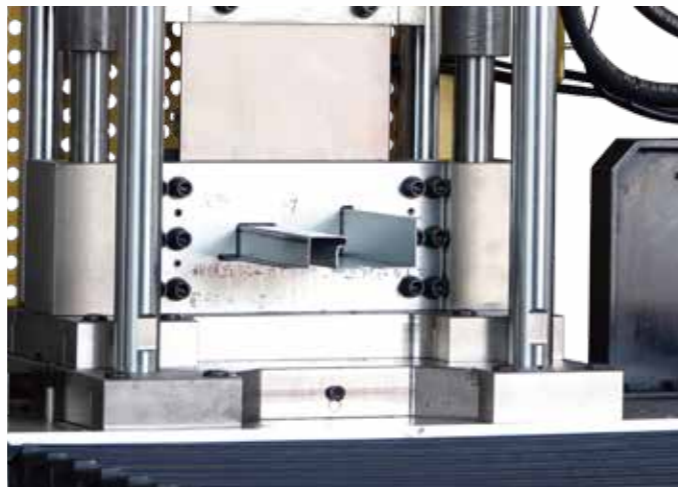
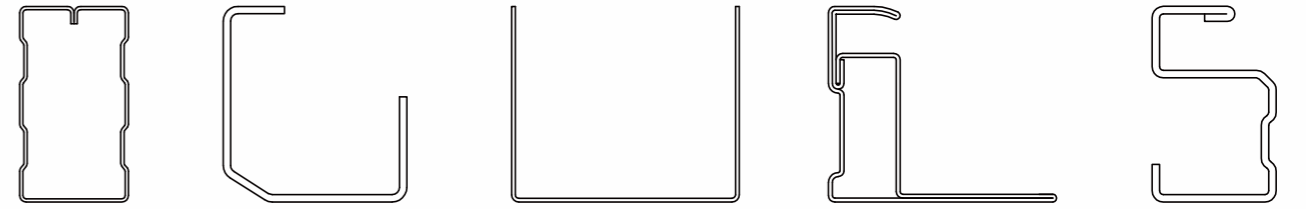
400+ Employees

100+ process equipment

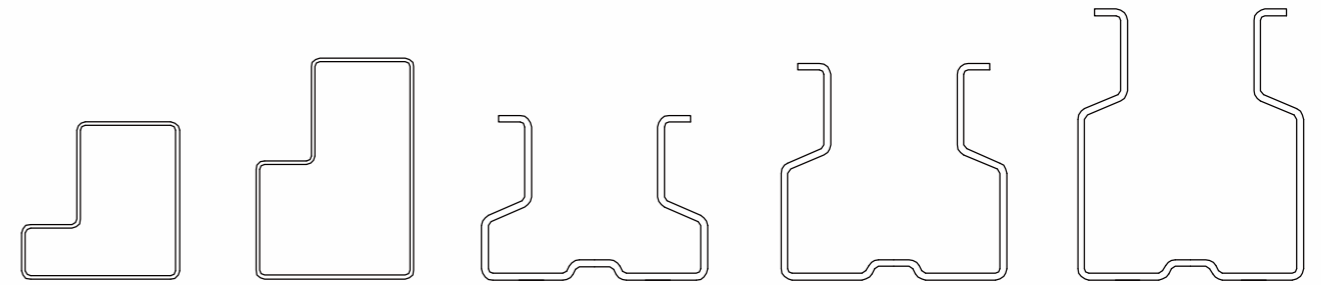


百叶设备





Shelves equipment 货架设备





Technical Data/主要技术参数

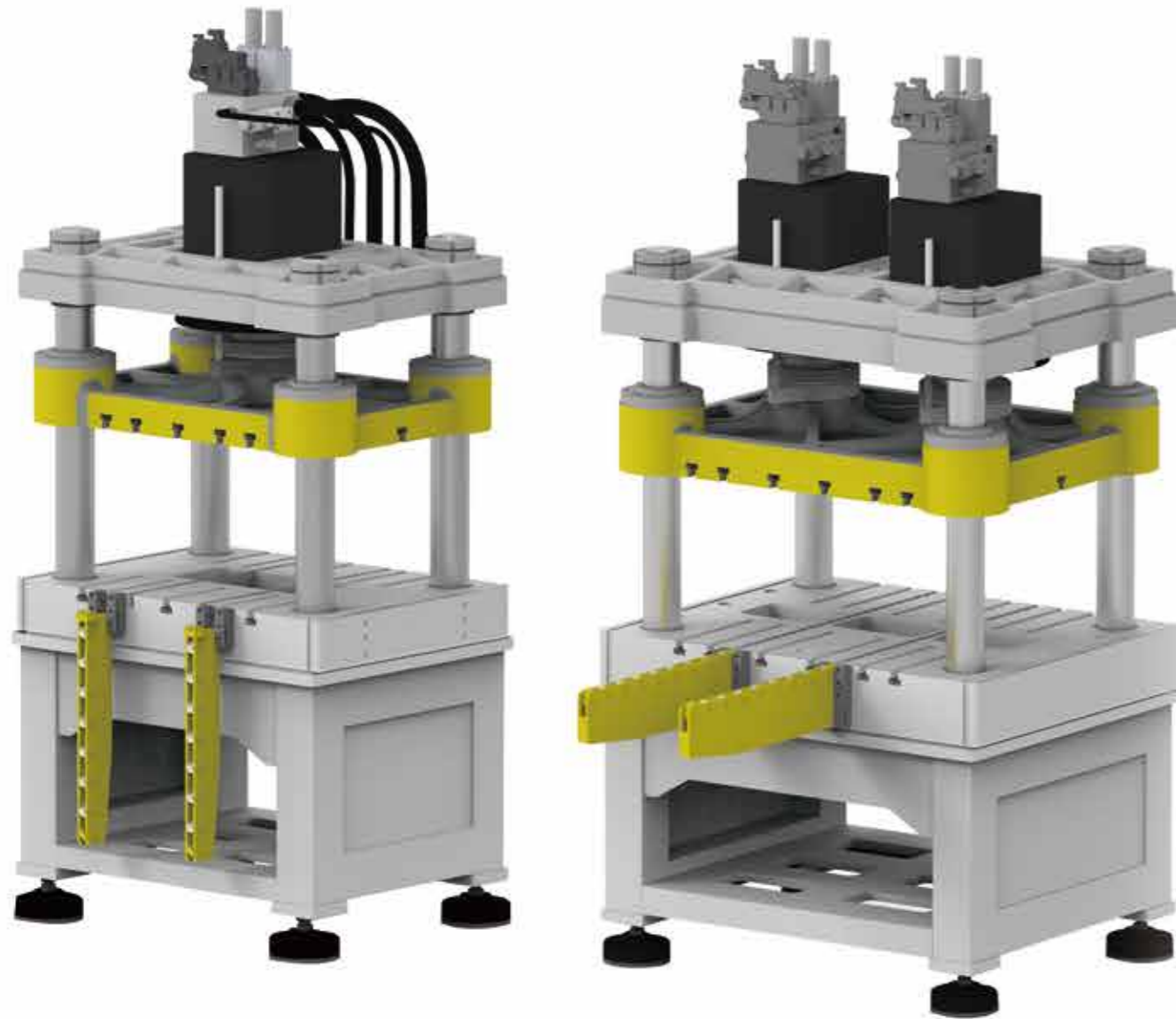
型号		Model	
卷材最大限重 (kg)	2000	Coil Weight Max.(kg)	2000
卷材最大外径 (mm)	1500	Coil O.D. Max.(mm)	1500
卷材内径 (mm)	510	Coil I.D.(mm)	510
料厚范围 (mm)	1-2.5	Material Thickness(mm)	1-2.5
最大料宽 (mm)	300<0>50	Material Width(mm)	300<0>50
料架涨紧方式	液压涨紧	Mandrel Expansion	Hydraulic expansion mandrel
使用电源电压 (V)	380V,50HZ,3phase	Power Supply	380V,50HZ,3phase
尺寸 (mm)	3000*1800*2000	Length*Width*High	3000*1800*2000
重量 (kg)	2200	Wight	2200

Technical Data/主要技术参数

	型号	PR-5T-DGN-400	Model	PR-5T-DGN-400
5T放料架 5T Uncoiler	卷材最大限重 (kg)	5000	Coil Weight Max.(kg)	5000
	卷材最大外径 (mm)	1800	Coil O.D. Max.(mm)	1800
	卷材内径 (mm)	510	Coil I.D.(mm)	510
	料厚范围 (mm)	0.5-3	Material Thickness(mm)	0.5-3
二合一 Straightener and welding machine	型号	PR-EHYDHJ-400	Model	PR-EHYDHJ-400
	最大进料宽度 (mm)	400	Material Width Max.(mm)	400
	料厚范围 (mm)	1~4	Material Thickness(mm)	1~4
	焊接	氩弧焊	Welding	TIG Welding
	焊接速度	10mm/s	Welding Speed	10mm/s

High-Speed Hydraulic Punch
高速液压冲

Roll Feeder
送料机



参数描述/ Specifications:

Technical Data/主要技术参数			125T High-Speed Hydraulic Punch		
125T高速液压冲			125T High-Speed Hydraulic Punch		
最大工作速度	次/分钟	100 (行程15mm)	Max.Working Speed	times/min	100 (stroke length 15mm)
行程长度	mm	0-150	Stroke Length	mm	0-150
工作台尺寸	mm	1270*920	Working Desk Size	mm	1270*920
工作台高度	mm	1100	Working Desk High	mm	1100

Technical Data/主要技术参数			250T High-Speed Hydraulic Punch		
250T高速液压冲			250T High-Speed Hydraulic Punch		
最大工作速度	次/分钟	100 (行程15mm)	Max.Working Speed	times/min	100 (stroke length 15mm)
行程长度	mm	0-150	Stroke Length	mm	0-150
工作台尺寸	mm	1500*1160	Working Desk Size	mm	1500*1160
工作台高度	mm	1100	Working Desk High	mm	1100



参数描述/ Specifications:

型号 Model	"料宽" Material Width"	"料厚" Material Thickness"	送料能力 Feeding Capacity	"最快送料速度" Feeding Speed (m/min)"	频率 Frequency (each/min)	送料精度 Feeding Accuracy(mm)	伺服马达 Motor(kw)
S300	300	0.2-3.2	3.2*300	25	120	±0.1	2
S400	400	0.2-4.5	"3.2*400 4.5*300"	25	120	±0.1	3.5
S500	500	0.2-4.5	"3.2*500 4.5*300"	25	120	±0.1	5