



Hangzhou Ponray Technologies Co., Ltd
Add: Rm1903, Keda Touzi Bldg, No.555, Xincheng Rd, Binjiang, Hangzhou, China
Tel: 0086-571-86433485 Fax: 0086-571-86433481 P.I.C.: Richard Zeng
Web: www.fridgtec.com E-mail: sales@fridgtec.com

Copper tube aluminum fin evaporator water to air heat exchanger

Factory introduction

Our factory located in Hangzhou, China, 10 minutes car distance to our office.

Our factory is ISO 9001 certified, professional in production of copper tube fin evaporator and condenser.

We use high quality material, equipped by high automation machinery like fin punching machine, auto tube flaring machine, automatic welding machine, we have over 15 years experience in production and with professional technicians to control mold production, IQC, IPQC, FQC and OQC, all products comply with Japan & Italy standard, all these make us achieve good sales increasing year by year and awarded nice quality reputation among all customers.

Typical benefits and character

- The heat exchangers include flat front face mounting for easier installation and increased plenum strength.
- Exchangers have 1" copper outlets and can be installed with either sweat fitting or push fit type fitting.
- Aluminum pins are installed at 12 fins per inch
- All exchangers are triple pass design.
- High quality seamless copper coil tubing for long lasting and leak-free performance
- High quality mechanical expanding between copper tube and fins, tight contacting and optimized heat exchanging.
- With super high temperature vacuum drying, ensure inner without impurity or water substance.
- Exchangers will work with chilled water also.

Main application & usage

It has big popularity in forced air heating and cooling applications. They are suitable for a large number of projects including water to air and air to water heat transfer uses, such as outdoor wood furnaces, boilers, stoves, residential and light commercial forced air heating and cooling applications, as well as liquid chilling applications and many others.

These heat exchangers can also be used as a stand alone heat source by simply attaching a fan or squirrel cage to one side of the unit. They can be installed in either the hot air side or the cold air return of a furnace. Please note that if installed in the cold air return you will need to install a 3 way zone valve in order for the fan to operate properly.

This heat exchanger is of a new style which does not require bending of your duct work.

Material

Material: copper tube, aluminum fins, galvanized steel frame

- Inlet/outlet copper tube: made by Hailiang China, 3/8" (9.52mm) smooth tube
- Fin plate: blue or other color hydrophilic, or uncoated bare aluminum foil
- Frame: galvanized steel
- Manifold is made of copper and ID 1"

- Tube rated at 175 psig/350F
- Fin spacing 12per inch
- Connections 1" ID soldered

Production process

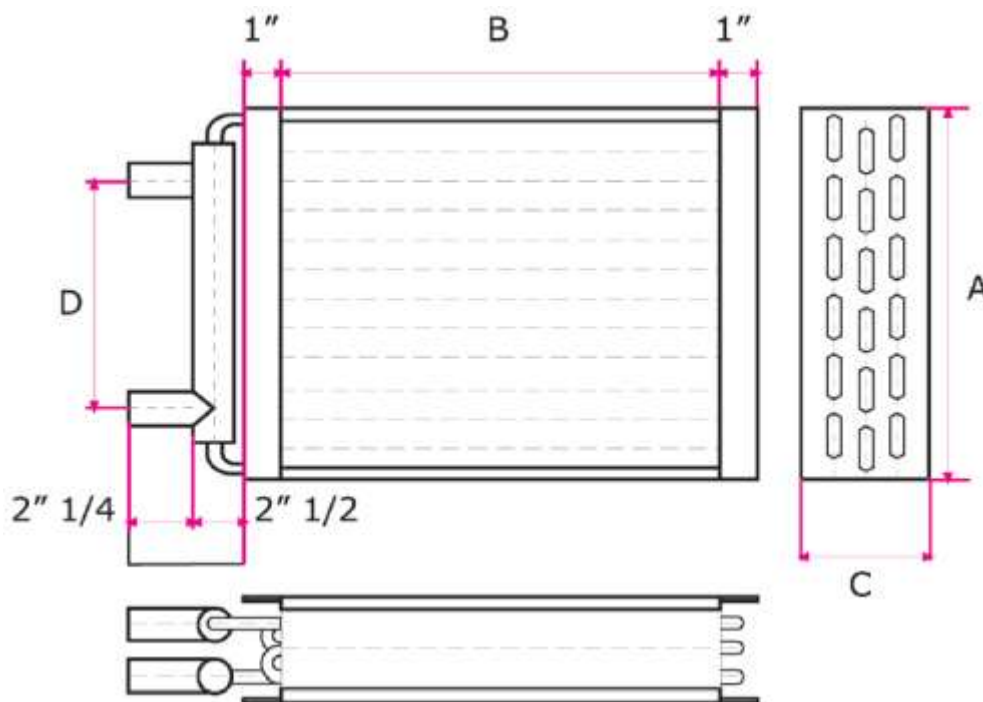
Tube bending, punching fin, tube expanding, fins installation, drying, welding, leakage test, tube bending, quality inspection, packing

FQC & OQC

Tightness testing: gas testing under 3.0Mpa air pressure

Leakage testing: water leakage testing

Size:



Model	BTU	CFM	Pressure drop air	Pressure drop water	GPM	A	B	C	Tube
						Inch			
12x12	50000	700	0.5	0.2	6	12	12	3.5	3/8"
12x18	80000	800	0.5	0.2	6	12	21	3.5	3/8"
14X14	85000	800	0.5	0.2	7	14	14	3.5	3/8"
14x18	95000	800	0.5	0.2	7	14	18	3.5	3/8"
15x15	98000	1000	0.51	0.206	8	15	15	3.5	3/8"
16x16	90000	1250	0.51	0.257	8	16	16	3.5	3/8"
16x18	100000	1650	0.81	0.274	10	16	18	3.5	3/8"
18x18	130000	2000	0.91	0.325	12	18	18	3.5	3/8"
18x20	140000	2350	1.32	0.359	14	18	20	3.5	3/8"
19x20	150000	2500	1.49	0.388	15	19	20	3.5	3/8"

20x20	160000	2700	1.38	0.4	16	20	20	3.5	3/8"
22x22	170000	2400	2.08	0.287	21	22	22	3.5	3/8"
22x25	180000	2800	2.1	0.355	21	22	25	3.5	3/8"
24x24	200000	3300	2.14	0.457	21	24	24	3.5	3/8"

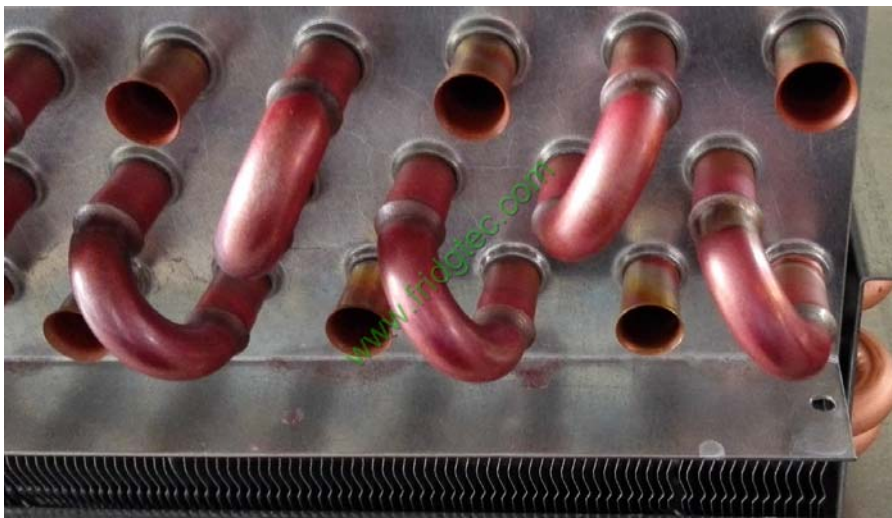
Note: Continuous product development may necessitate specification & design changes without notice.

water to air heat exchanger product show



Evaporator product finishing

Copper tube flaring depth and welding quality showing



Aluminum fin drawing and expanding on copper tube, 100% wrapped the copper tube



We can produce by customer order or sample, also can help customer design and produce different models of condenser & evaporator coil.

Welcome sending your drawing or sample to us.