



Product Specification

Product Name:30W Profresh track light

Model: KPT-PTR30DY-30W-C

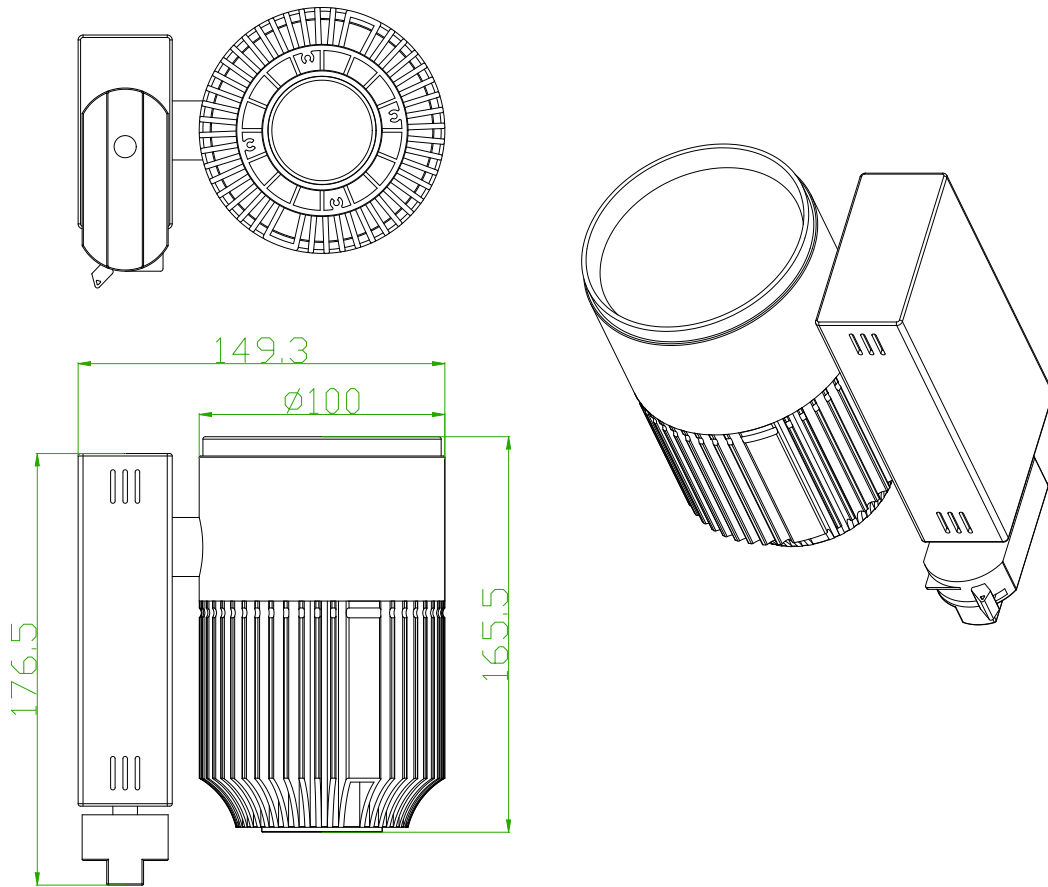
Doc.No: 2015.06.15

Made by:
Confirmed by:

Date:
Date:

1st Part: Product Description

1.Photos and Size (unit: MM)





2.Product features

- 1)Energy-saving: Use COB Chip as light source, 80% energy saving than incandescent.
- 2)Environmental Protection: does not contain mercury, lead and hazardous substances, no environmental pollution, no infrared and ultraviolet to avoid harm to the human body, its green lighting products.
- 3)Long Lifespan: Up to 50000 hours or more.
- 4)Input Voltage:100V-240V, make the product more convenient to install.
- 5)Use COB LED chip, high brightness, high efficiency, high CRI.
- 6)DC constant current, no flicker.
- 7)Direct optical illumination point ,have higher light-use efficiency than traditional lamps .
- 8)The main use the good thermal conductivity of aluminum (AL6063) , good heat dissipation.
- 9)Higher luminous efficiency, lower working temperatures, save much electricity.
- 10)To achieve the desired effect of non-glare lighting surface according to the different food,high color rendering and the food color looks more real. It's better for customer's to select the food.

3. Application

Used for fresh food lighting in the supermarket such as fruits, vegetables, flower, fish, milk,meat, frozen and deli food, also for dining table, etc. lighting places.



SHENZHEN KAPATA LIGHTING CO.,LTD



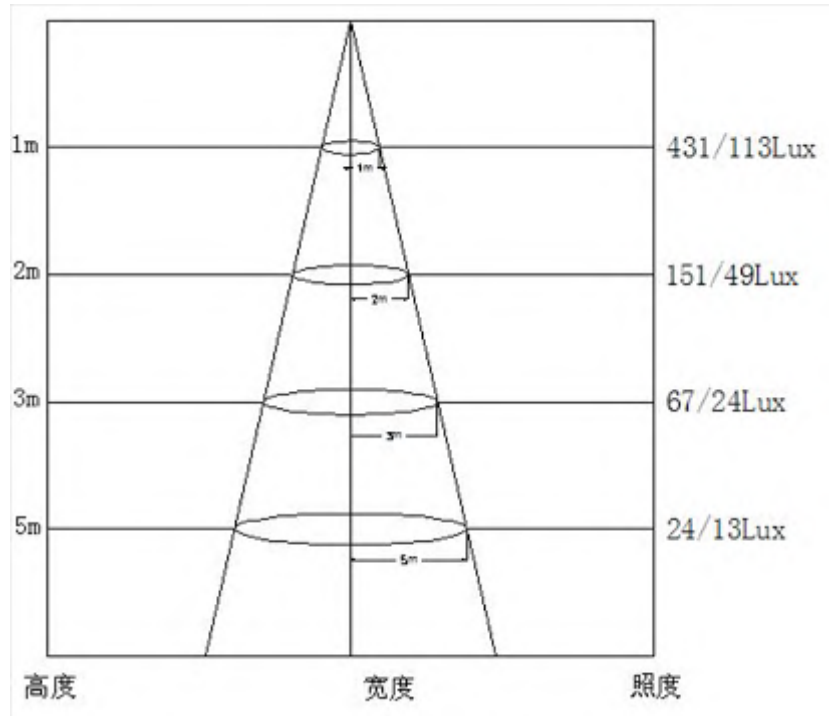


2nd Part: Technical Parameters

1. Basic Technical Parameters

Rated power	30W		
Power Consumption	30±1W		
Input voltage	AC 100~240V/50~60Hz		
LED Quantity	COB/1 PCS		
LED Source	Epistar		
LED Luminous Efficiency	70-80lm/W		
LED Luminous Flux	2200±10%lm		
Luminaries Efficiency	>85%		
Illumination Uniformity	>0.8		
Illumination Uniformity	2700K-7000K		
Color Rendering Index	Ra≥80		
Beam Angle	15° /24° /60°		
Degree of Protection	IP40		
Operating Ambient Temperature	-40℃~50℃		
Storage Ambient Temperature	-40℃~50℃ (30℃ is the best)		
Lamp Operating Temperature	Ambient Temperature	The Radiator Surface of the Lamp Body	LED Lights Pin
	25℃	50℃	60℃
Certificates	CE、RoHS		
Lifespan	50000H		
Dimensions	As specified in the product dimension drawings		
Weight	0.7kg		

2. Luminosity light outp2100lm:



NO	Item	Test methods	Through the standard
1	Temperature rise test	Ambient Temperature of 25°C, the lamp surface temperature below 65°C, LED temperature below 75°C	Ambient Temperature of 25°C, the lamp surface temperature below 65°C, LED temperature below 75°C
2	High temperature and pressure test	Ambient temperature of 60°C, enter the 1.1times rated voltage, light work 24hours	Lighting to work properly after the test
3	Low temperature and pressure test	Ambient temperature of -15°C, enter the 0.9 times rated voltage, light work 24hours	Lighting to work properly after the test



SHENZHEN KAPATA LIGHTING CO.,LTD

4	Vibration tests	Vibration velocity is set to 300rev/min, the amplitude is set to 2.54 cm, six surface vibration test on the packaged product.	The lamps can not occur off parts, structural damaged, the lighting does not shine and other anomalies.
5	Impact test at room temperature	Ambient temperature of 25°C, lighting 30s, lighting -30s, circulation 10,000	The lamps can not occur leakage,not lit and electrical anomalies
6	Life test	Ambient temperature of 25 ° C, lit test, the first three months every 10 days, testing, optical parameters, three months after a month testing the optical parameters, 70% of the initial luminous flux for the life of the product, turn off the lights for the absolute life	Luminous flux for 90% of the initial luminous flux of 3000 hours, 30,000 hours of luminous flux should be greater than 70% of the initial luminous flux

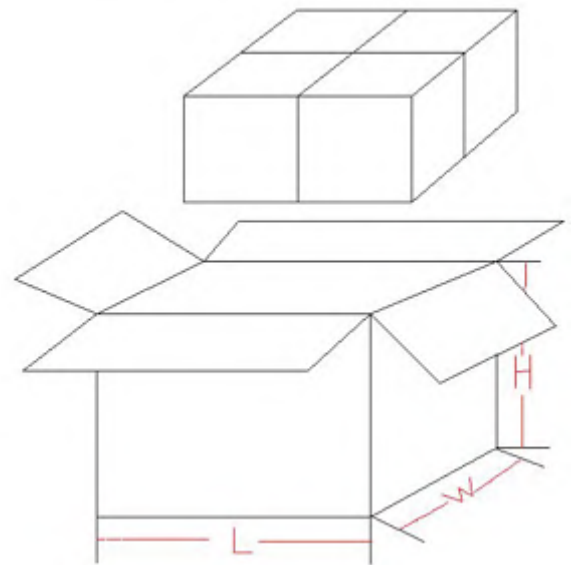
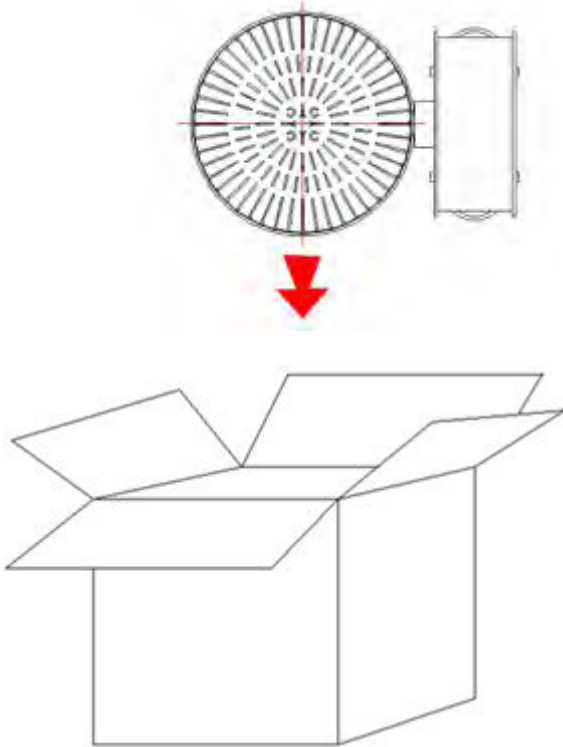


4th Package

Project	Internal packing with paper tube	External packing
Q'tu	box/1	box/8
Size	175*223*H116	L370x W260x H250
N.W	1.05 kg	8.4kg
G.W	1.1kg	10kg

Internal Package

External Package



5th. Installation

1. Open the lamp holder packing, take out the product and check the product have collision scar or not, pls contact manufacturer if it damaged.

2、 1) : Confirm the orbital groove is stable and safe.

2) : Put the lamp into orbital groove, rotary switch and card clasp knob to safely install lamps and lanterns in orbit in the channel slot can be connected to the utility after use.



6th.Note description

1. All of the above test data are within the specified range of input voltage and rated output, the working environment temperature of 25 °C , humidity less than 85% , beam angle is tested under the circumstance of 60° .
2. Note: no waterproofing effect, only for indoor use.
3. Checking the voltage, current compliance requirements; please do not disassemble product without authorized.
4. If the products can not work properly due to product quality defects, the warranty replacement within 3 years.