

DIRECTORY 目录

■ 我们可以为客户提供的产品类型

• 全低压双塔制氧制氮设备 Low pressure twin towers oxygen and nitrogen plant	01
• 空气分离流程图解 Air separation process diagram	02-03
• 高纯氮设备 High purity nitrogen plant	04
• 全液体制氧制氮设备 Liquid oxygen and nitrogen plant	05
• 小型内压缩制氧设备 Small inner compression oxygen plant	06
• 油气回收设备 Vapor recovery equipment	07
• 特殊气体提纯设备 Special gas purification equipment	08
• 附录	09-13

战略合作伙伴

Strategic Partners



兰州
玻璃厂



晶牛微晶集团



China Huaneng Group



China National Coal Group



中煤集团

全低压双塔制氧制氮设备

Low pressure twin towers oxygen and nitrogen plant

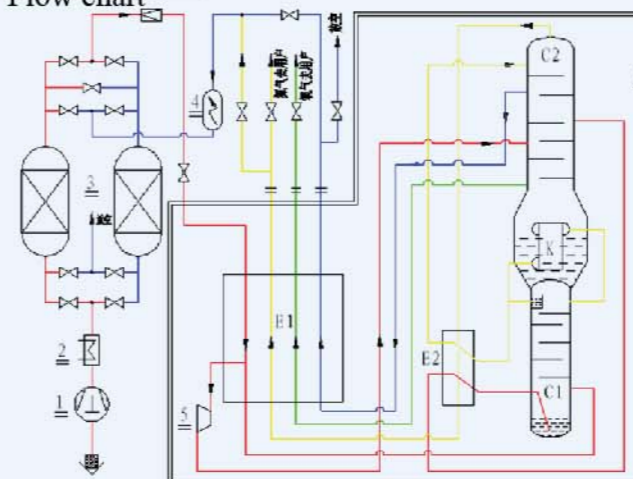
1、产品说明 Product Description

Low pressure twin towers oxygen and nitrogen plant, The whole system operating pressure is less than 0.7Mpa, The operation of this series plant Simple, flexible, safe and low energy consumption. Process uses molecular sieve adsorption, gas bearing expander positive flow expansion refrigeration, the twin towers distillation, could produce high purity oxygen and nitrogen simultaneously. At the same time it also can produce liquid gas based on user requirements.

The purity of oxygen $\geq 99.6\%$, nitrogen purity $\geq 99.99\%$. This plant can be designed and produced according to customer requirements.

2、工艺流程示意图

Flow chart



- 1空压机 1. Air compressor
- 2 预冷机 2. Pre-cooler system
- 3 吸附器 3. Purification system
- 4 电加热炉 4. Elec-heater
- 5 膨胀机 5. Turbo-expander
- 6 分馏塔 6. Fractionating column
- E1 主换热器 E1. Heat exchanger
- E2 过冷器 E2. Subcooler
- C1 下塔 C1. Lower column
- C2 上塔 C2. Upper column
- K 主冷凝蒸发器 K. Main evaporator condenser

3、产品选型技术参数表 Product Model

产品型号 Type	KDON-100/100	KDON-180/350	KDON-250/500	KDON-350/700	KDON-550/1100	KDON-800/1600	KDON-1000/2000	KDON-1500/1500	KDONAr-3000/3000/80y	KDONAr-6000/6000/190y
氧气产量 Nm ³ /h G.oxygen output	100	180	250	350	550	800	1000	1500	3000	6000
氧气纯度 %O ₂ G.oxygen purity	≥ 99.6	≥ 99.6	≥ 99.6	≥ 99.6	≥ 99.6	≥ 99.6	≥ 99.6	≥ 99.6	≥ 99.6	≥ 99.6
氮气产量 Nm ³ /h G.nitrogen output	100	350	500	700	1100	1600	2000	1500	3000	6000
氮气纯度 ppmO ₂ G.nitrogen purity	≤ 10	≤ 10	≤ 10	≤ 10	≤ 10	≤ 10	≤ 10	≤ 5	≤ 5	≤ 5
液氮产量 Nm ³ /h L.argon output	—	—	—	—	—	—	—	≥ 40	≥ 80	≥ 190
液氮纯度 %Ar l.argon purity	—	—	—	—	—	—	—	≥ 99.999	≥ 99.999	≥ 99.999

注：1) 表中流量单位Nm³/h为0℃, 101.325kPa状态下气态流量, 压力单位如未说明均指表压; 下同

2) 整套设备运行周期不小于12个月, 建议用户每12个月, 对整套设备大加温一次; 下同

3) 表中的技术参数仅供用户选型时参考, 具体参数可根据用户使用要求进行设计。下同