

HANGZHOU COLOR POWDER COATING EQUIPMENT CO.,LTD

<http://www.colourspray.com>

Email:colochina@colourspray.com

COLO have complete range of model, high efficient recovery equipment match our booth. There are various selections includes high efficiency single or multi cyclones, cartridge filters and reverse pulse jet cartridge filters and a full range of high quality application equipment including powder gun, reciprocators, powder sieve systems.

This is our new spray booth in 2015.

Size inner: 2800*1150*1700mm (we accept customize)



HANGZHOU COLOR POWDER COATING EQUIPMENT CO.,LTD

<http://www.colourspray.com>

Email:colochina@colourspray.com



HANGZHOU COLOR POWDER COATING EQUIPMENT CO.,LTD

<http://www.colourspray.com>

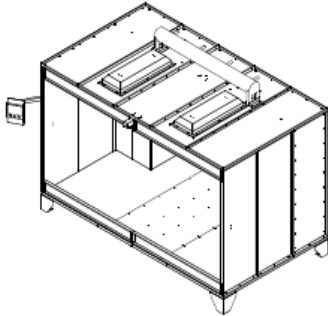
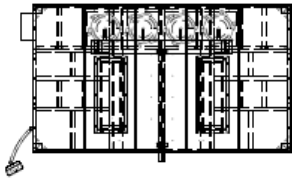
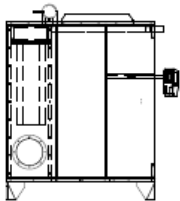
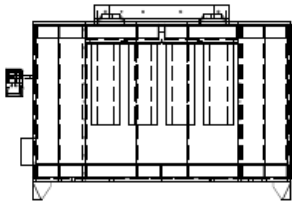
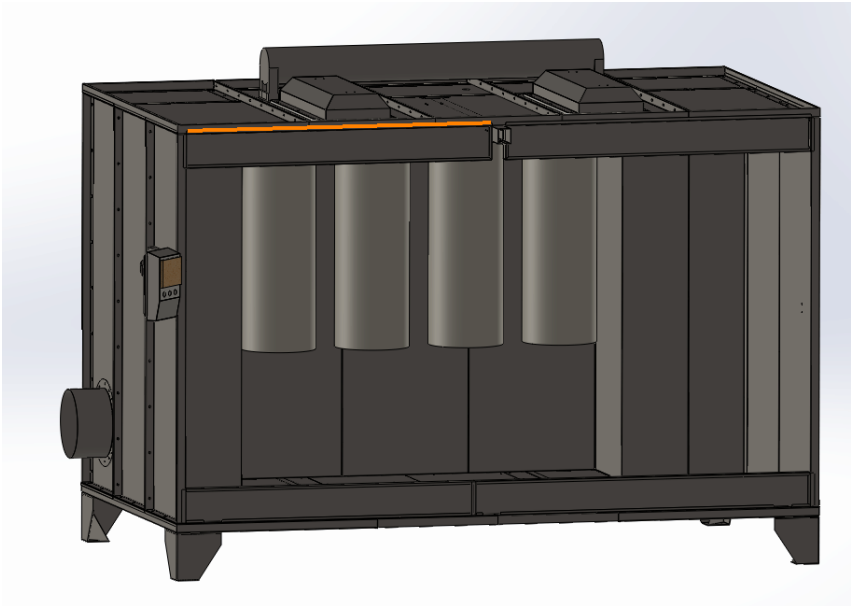
Email:colochina@colourspray.com



HANGZHOU COLOR POWDER COATING EQUIPMENT CO.,LTD

<http://www.colourspray.com>

Email:colochina@colourspray.com



技术要求



If you have any questions, please let me know. Thankyou.
SKYPE: hzcolo

Email: colochina@colourspray.com