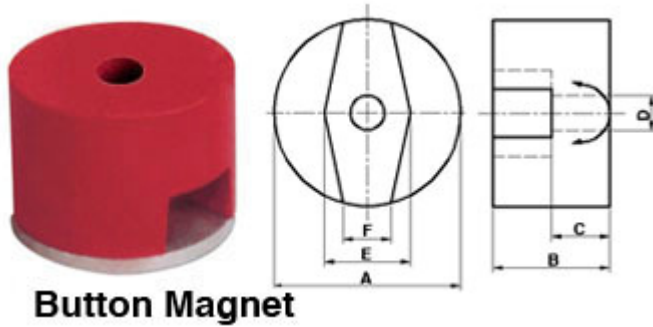


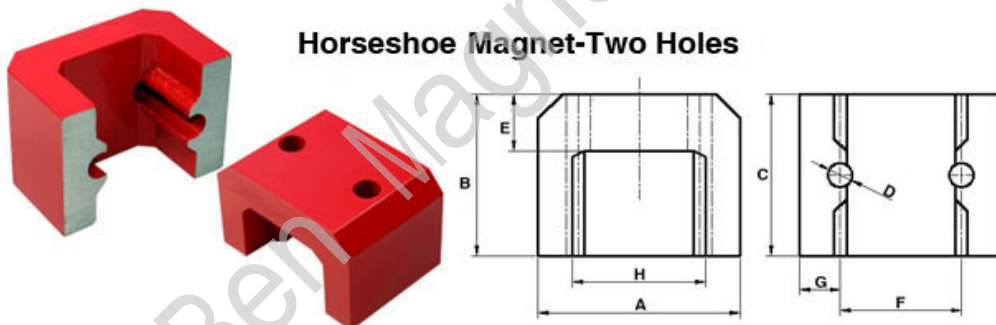
Red Horseshoe Magnets



Button Magnet

*Dimension(mm)

PartNo	A	B	C	D	E	F	Weight	Min Pull(N)	Painted
HS5801	12.7	9.5	4.7	4	7	4	0.01kg	7	Red
HS5802	19.05	12.7	6.4	4.8	8.7	5.6	0.028kg	19	Red
HS5803	25.4	15.87	8	4.8	8.7	5.6	0.056kg	29	Red
HS5804	31.75	25.4	12.7	7.4	10	7.9	0.113kg	66	Red

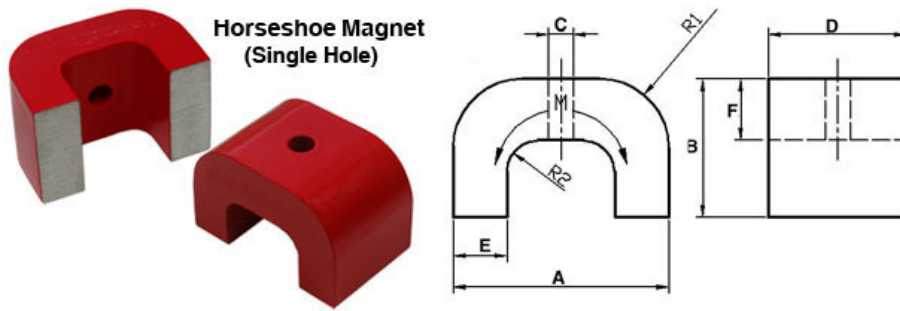


Horseshoe Magnet-Two Holes

*Dimension(mm)

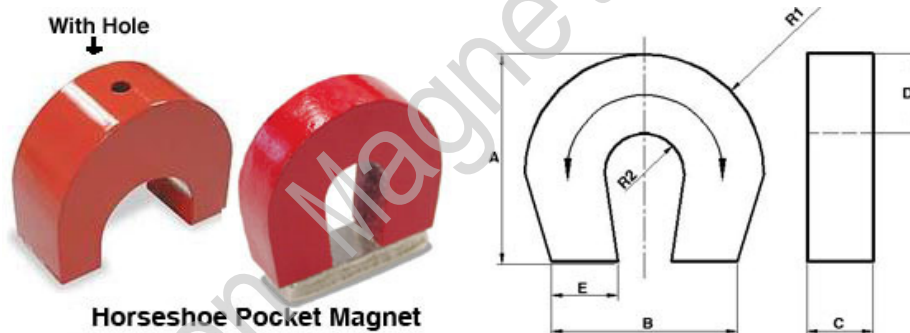
PartNo	A	B	C	D	E	F	G	H	Weight	Min Pull(N)	Painted
HS5701	57.2	35	45	8	12	31.8	12.6	35	0.37kg	235	Red
HS5702	60	39.2	62	7	13.2	29	15.5	32	0.60kg	250	Red
HS5703	69.9	41.3	57.2	7.9	15.1	38.1	16.3	41.3	0.71kg	370	Red
HS5704	79.4	54	83	9.5	17.5	43	18	48	1.45kg	470	Red

Red Horseshoe Magnets



*Dimension(mm)

PartNo	A	B	C	D	E	F	R1	R2	Weight	Min Pull(N)	Painted
HS5601	30	20	5	20	7.5	9	9	4	0.06kg	44	Red/yellow
HS5602	40	25	5	25	10	11.5	12	5	0.12kg	88	Red/yellow
HS5603	41.28	21.41	6.35	28.58	10.3	11.5	12.7	4.75	0.129kg	98	Blue
HS5604	45	30	5	30	11	13	13	6	0.18kg	116	Red/yellow

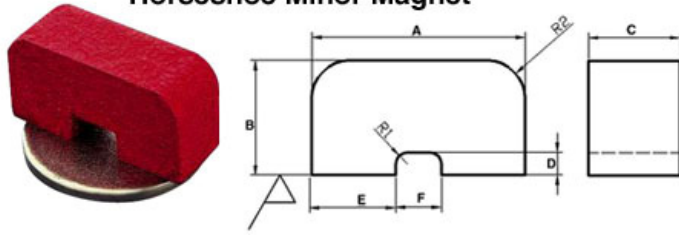


*Dimension(mm)

PartNo	A	B	C	D	E	R1	R2	Holes	Weight	Pull(N)	Painted
HS5501	25.4	22.2	7.62	9.54	7.94	14.29	4.75	0	0.030kg	14.7	Red/yellow
HS5502	28.50	18.50	6.35	11	4	14.00	6.00	0	0.022kg	30	Red/yellow
HS5503	34.93	27.00	15.88	9.525	9.525	16.67	7.14	0	0.082kg	39	Red
HS5504	38.10	41.28	14.27	19.05	15.88	23	6.35	0	0.096kg	110	Red
HS5505	63.5	63.5	19.05	25.53	19.05	38.10	15.87	0	0.422kg	267	Red
HS5506	46	55.56	23.81	27	12.70	57.15	30.15	Φ4.8	0.228kg	142	Red
HS5507	38.89	44.45	11.12	22.225	11.12	11.125	22.225	Φ4.7	0.061kg	71	Red

Red Horseshoe Magnets

Horseshoe Minor Magnet

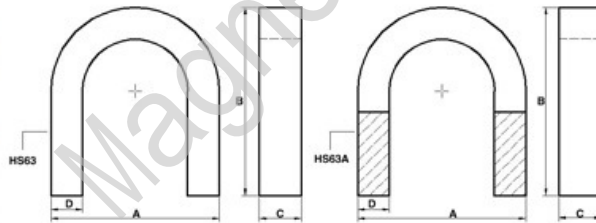


*Dimension(mm)

PartNo	A	B	C	D	E	F	Weight	Min Pull(N)	Painted
HS5901	12.7	7.92	4.75	3.48	4	4.72	0.003kg	2	Red
HS5902	19.05	12.7	6.35	4.75	6.35	6.35	0.0095kg	9	Red
HS5903	25.4	15.88	7.92	6.48	7.94	9.53	0.020kg	27	Red
HS5904	31.75	19.05	10.3	6.35	10.33	11	0.040kg	44	Red
HS5905	38.1	22.23	12.7	7.62	12.7	12.7	0.0695kg	53	Red
HS5906	44.45	26.97	19.05	12.75	12.7	19.05	0.136kg	112	Red



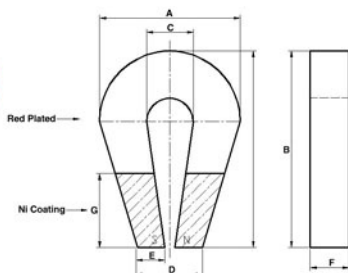
Horseshoe U Shape Magnet



*Dimension(mm)

PartNo	A	B	C	D	Min Pull(N)	Painted
HS6301	28	25	8	8	11.76	Red
HS6302	31.6	50.8	6.35	10.4	25	Red
HS6303	50	60	10	10	49	Red
HS6304	65	100	16	6	100	Red&Cr
HS6305	75	140	20	10	150	Red&Cr

*Dimension(mm)



PartNo	A	B	C	D	E	F	G	Weight
HS6201	40	75	20	25.3	10	5	29	0.057kg
HS6202	50	100	26	31.5	12	6	39	0.100kg
HS6203	60	125	32	38.5	15	6	49	0.180kg