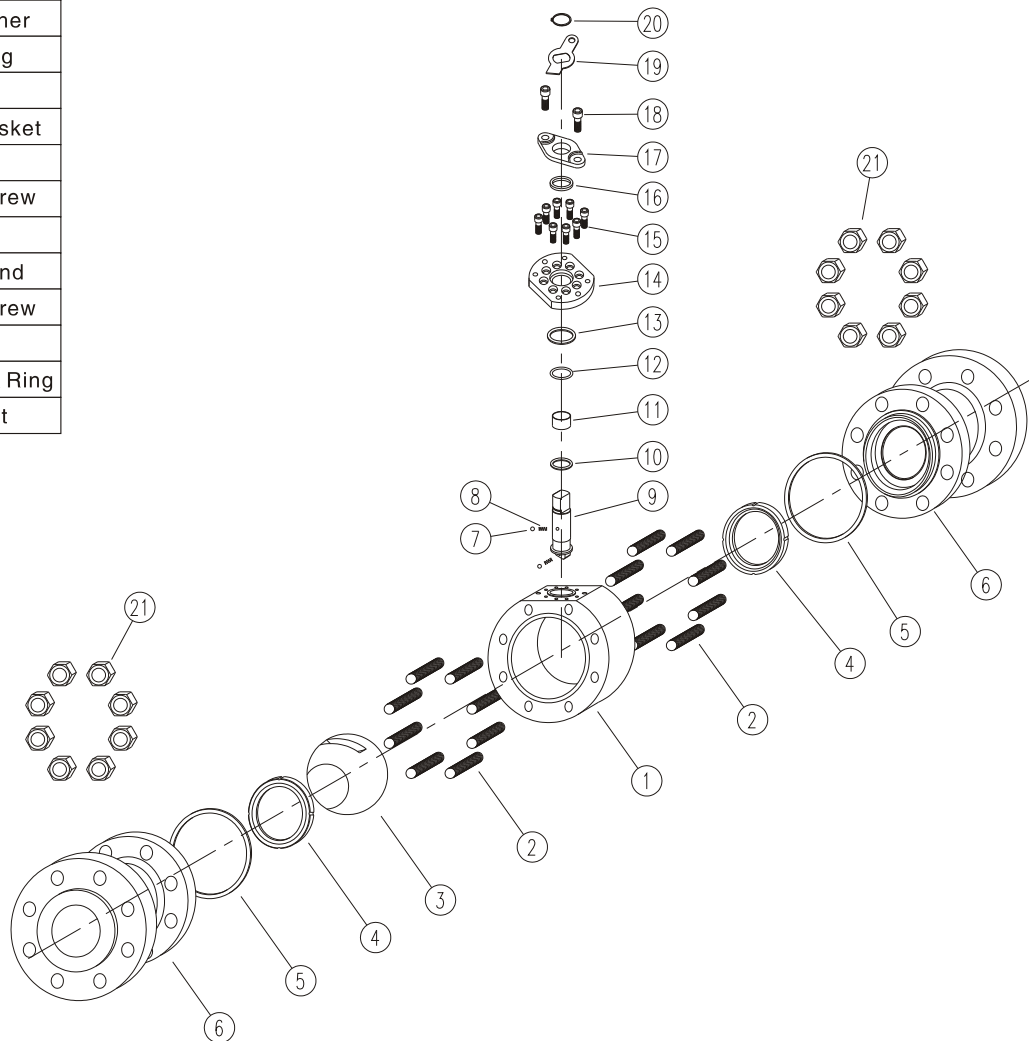
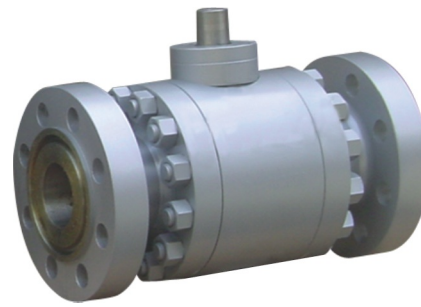


1	Body
2	Stud
3	Ball
4	Seat
5	Anti-fire Gasket
6	Bonnet
7	Anti-static ball
8	Anti-static Spring
9	Stem
10	Sliding Washer
11	Stem Bearing
12	"O" Ring
13	Anti-fire Gasket
14	Seal Cover
15	Hexagon Screw
16	Packing
17	Packing Gland
18	Hexagon Screw
19	Stopper
20	Elastic Back Ring
21	Hexagon Nut

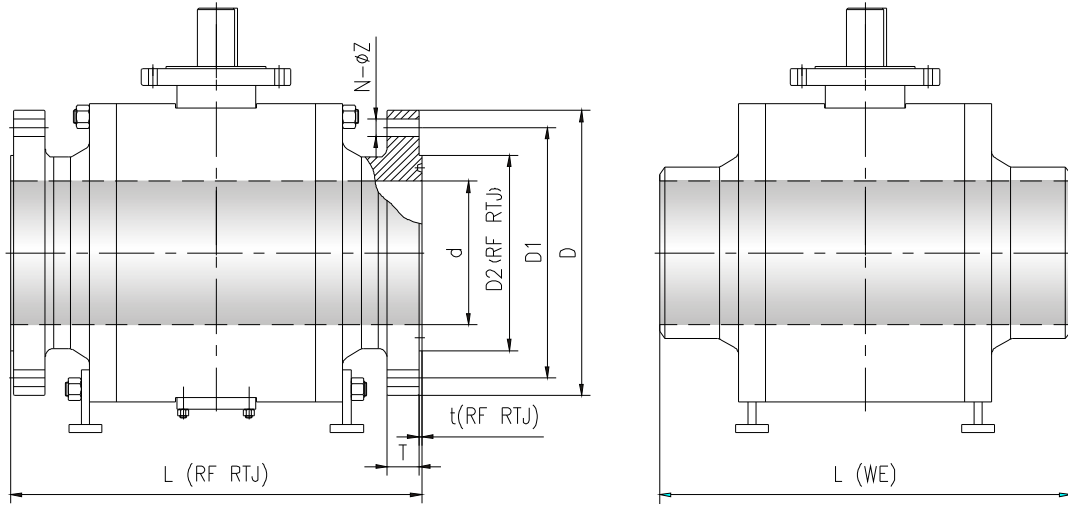


Main Materials

Part Name	A	B	C	D	E	F
Body	A105	A105	A105	F304	F316	LF2
Ball	A105+ENP	F304	F316	F304	F316	LF2+ENP
Stem	A105+ENP	F304	F316	F304	F316	LF2+ENP
Stud	B7M	B7M	B7M	B8M	B8M	L7
Nut	2HM	2HM	2HM	8M	8M	7M
Seat	PTFE/PPL/NYLON/DEVLON					
O Ring	VITON					
Packing	GRAPHITE/PTFE					
Anti-fire Gasket	304+GRAPHITE					

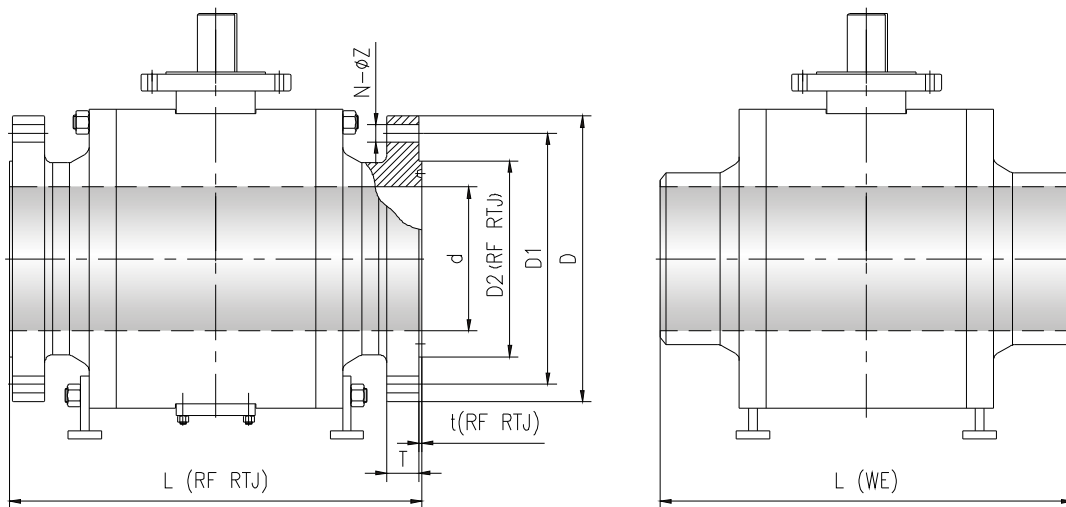


ANSI Class 150
285 psi



Nominal Size		(RF)								(RTJ)				(BW)
DN	NPS	d	L(RF)	D	D1	D2(RF)	T	t(RF)	N-φZ	L(RTJ)	D2(RTJ)	t(RTJ)	R	L(WE)
25	1	25	127	110	79.5	51	11	2.0	4-φ15	140	64	6.4	R15	165
32	1 1/4	32	140	115	89	64	11	2.0	4-φ15	153	73	6.4	R17	178
40	1 1/2	38	165	125	98.5	73	13	2.0	4-φ15	178	83	6.4	R19	190
50	2	49	178	150	120.5	92	14	2.0	4-φ19	191	102	6.4	R22	216
65	2 1/2	62	191	180	139.5	105	16	2.0	4-φ19	203	121	6.4	R25	241
80	3	74	203	190	152.5	127	17	2.0	4-φ19	216	133	6.4	R29	283
100	4	100	229	230	190.5	157	22	2.0	8-φ19	241	171	6.4	R36	305

ANSI Class 300
740 psi

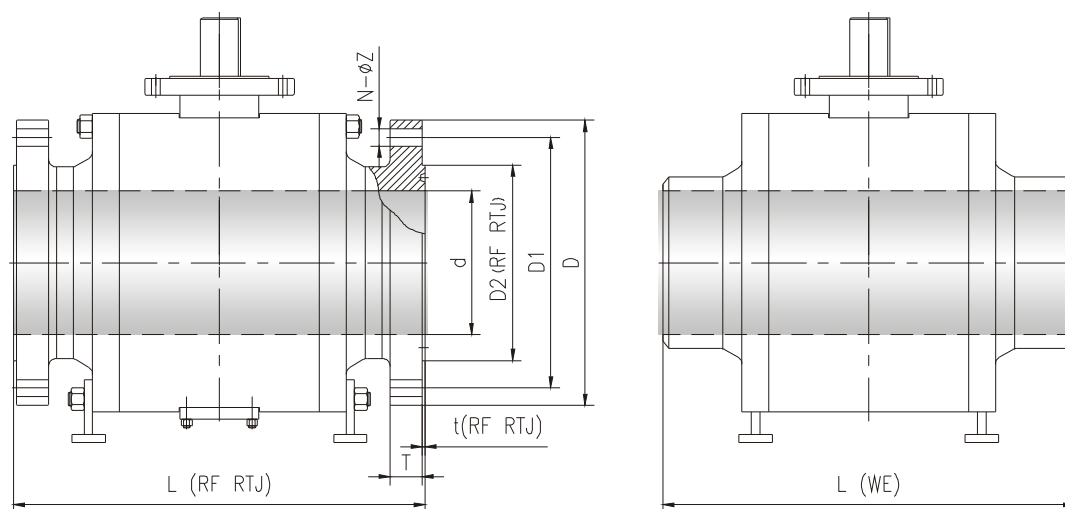




ANSI Class 300 740 psi

Nominal Size		(RF)								(RTJ)				(BW)
DN	NPS	d	L(RF)	D	D1	D2(RF)	T	t(RF)	N- ϕ Z	L(RTJ)	D2(RTJ)	t(RTJ)	R	L(WE)
25	1	25	165	125	89	51	16	2.0	4- ϕ 19	178	70	6.4	R16	165
32	1 1/4	32	178	135	98.5	64	17	2.0	4- ϕ 19	191	79	6.4	R18	178
40	1 1/2	38	190	155	114.5	73	19	2.0	4- ϕ 22	203	90	6.4	R20	190
50	2	49	216	165	127	92	21	2.0	8- ϕ 19	232	108	8	R23	216
65	2 1/2	62	241	190	149	105	24	2.0	8- ϕ 22	257	127	8	R26	241
80	3	74	283	210	168.5	127	27	2.0	8- ϕ 22	298	146	8	R31	283
100	4	100	305	255	200	157	30	2.0	8- ϕ 22	321	175	8	R37	305
150	6	150	403	320	270	216	35	2.0	12- ϕ 22	419	241	8	R45	403
200	8	201	502	380	330	270	40	2.0	12- ϕ 25	518	302	8	R49	521

ANSI Class 600 1480 psi



Nominal Size		(RF)								(RTJ)				(BW)
DN	NPS	d	L(RF)	D	D1	D2(RF)	T	t(RF)	N- ϕ Z	L(RTJ)	D2(RTJ)	t(RTJ)	R	L(WE)
25	1	25	216	125	89	51	18	7.0	4- ϕ 19	216	70	6.4	R16	216
32	1 1/4	32	229	135	98.5	64	21	7.0	4- ϕ 19	229	79	6.4	R18	229
40	1 1/2	38	241	155	114.5	73	23	7.0	4- ϕ 22	241	90	6.4	R20	241
50	2	49	292	165	127	92	26	7.0	8- ϕ 19	295	108	8	R23	292
65	2 1/2	62	330	190	149	105	29	7.0	8- ϕ 22	333	127	8	R26	330
80	3	74	356	210	168.5	127	32	7.0	8- ϕ 22	359	146	8	R31	356
100	4	100	432	275	216	157	38	7.0	8- ϕ 25	435	175	8	R37	432