

L6N

Load Cell L6N



Products specification

- ◆L6N load cells are available in the capacities 3kg to 100kg.
- ◆Alumium construction with parallel beam.
- ◆Silicon adhesive sealed, surface anodized and anti-corrosion.
- ◆Integral structure and easy installation.
- ◆Suitable for electronic balance and other electronic weighing devices.

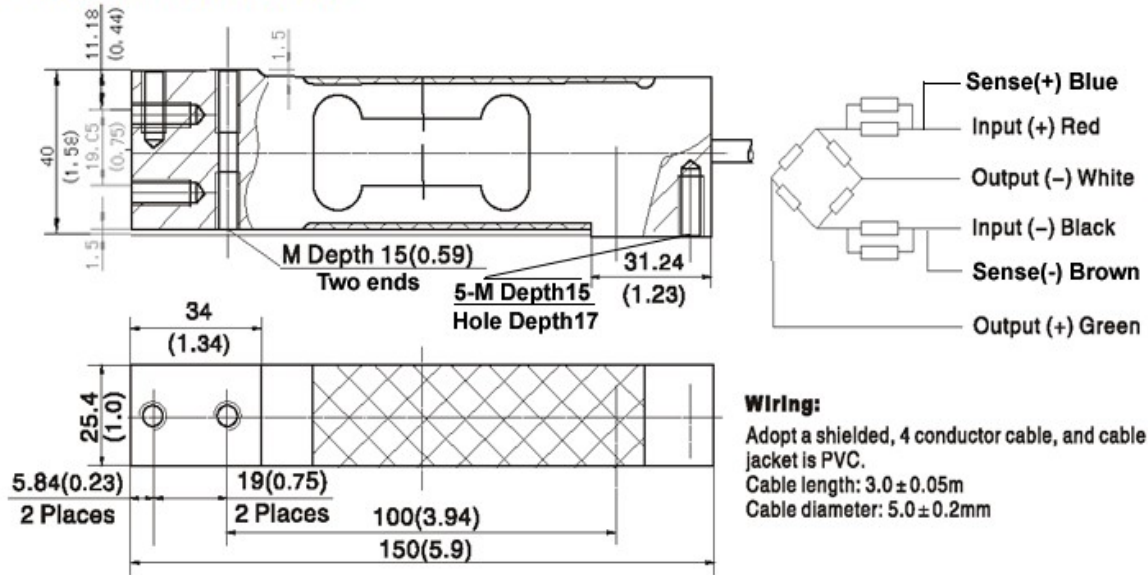
Features

- ◆Capacity:3kg to 100kg .
- ◆High accuracy.
- ◆Max. platform size: 400x400mm.
- ◆With OIML approval.

Specifications

Capacity	(kg)	3/5/8/10/15/20/30/40/50/75/100
Accuracy		C3
Approvals		OIML R60 C3
Maximum number of verification intervals	n max	3000
Minimum load cell verification interval	v min	$E_{max}/7000$
Combined error	(%FS)	$\leq \pm 0.020$
Creep	(%FS/30min)	$\leq \pm 0.0167$
Temperature effect on sensitivity	(%FS/10°C)	$\leq \pm 0.0175$
Temperature effect on zero	(%FS/10°C)	$\leq \pm 0.020$
Output sensitivity	(mv/v)	2.0 ± 0.2
Input resistance	(Ω)	406 ± 6
Output resistance	(Ω)	350 ± 3
Insulation resistance	(M Ω)	$\geq 5000(50VDC)$
Zero balance	(%FS)	2
Temperature, compensated	(°C)	-10~+40
Temperature, operating	(°C)	-35~+65
Excitation, Recommended	(V)	5~12(DC)
Excitation, Max	(V)	18(DC)
Safe overload	(%FS)	150
Ultimate overload	(%FS)	300
Corner correction		0.02% load value/100mm

Outline Dimension mm(inch)



HANGZHOU GONGHENG WEIGHING EQUIPMENT CO.,LTD

www.hzgh-scales.com

hzghscale@yahoo.com