

L6G
Load Cell L6G



Products specification

- ◆L6G load cells are available in the capacities 50kg to 600kg.
- ◆Alumium construction with parallel beam.
- ◆Silicon adhesive sealed, surface anodized and anti-corrosion.
- ◆Integral structure and easy installation.
- ◆Suitable for pricing scales, platform scales and other electronic weighing devices.

Features

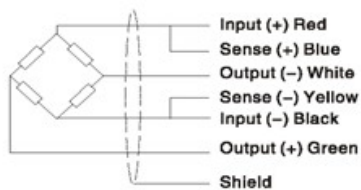
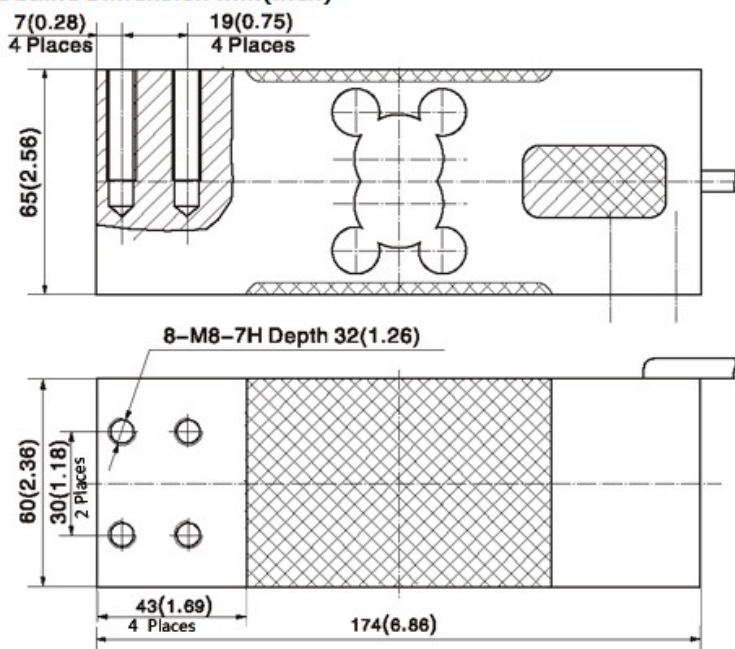
- ◆Capacity:50kg to 600kg .
- ◆High accuracy.
- ◆Max. platform size:600x600mm.
- ◆Integral installation.
- ◆With OIML approval.

Specifications

| | | | | |
|--|-------------|--------------------------------|------------------------|-------------------------|
| Capacity | kg | 50/100/150/200/250/300/500/600 | | |
| Accuracy | | C3D | C3 | C3G |
| Approvals | | | OIML R60 C3 | |
| Maximum number of verification intervals | n max | 2500 | 3000 | 4000 |
| Minimum load cell verification interval | v min | E _{max} /5000 | E _{max} /7000 | E _{max} /11000 |
| Combined error | (%FS) | ≤±0.030 | ≤±0.020 | ≤±0.015 |
| Creep | (%FS/30min) | ≤±0.020 | ≤±0.0167 | ≤±0.0125 |
| Temperature effect on sensitivity | (%FS/10°C) | ≤±0.021 | ≤±0.0175 | ≤±0.0131 |
| Temperature effect on zero | (%FS/10°C) | ≤±0.028 | ≤±0.020 | ≤±0.0127 |
| Output sensitivity | (mv/v) | 2.0±0.2 | | |
| Input resistance | (Ω) | 406±6/1065±15 | | |
| Output resistance | (Ω) | 350±3/1000±10 | | |
| Insulation resistance | (MΩ) | ≥5000(50VDC) | | |
| Zero balance | (%FS) | 2 | | |
| Temperature, compensated | (°C) | -10~+40 | | |
| Temperature, operating | (°C) | -35~+65 | | |
| Excitation, Recommended | (V) | 5~12(DC) | | |
| Excitation, Max | (V) | 18(DC) | | |
| Safe overload | (%FS) | 150 | | |
| Ultimate overload | (%FS) | 300 | | |
| Corner correction | | 0.02% load value/100mm | | |

L6G

Outline Dimension mm(inch)



Wiring:
Adopt a shielded, 6 conductor cable, and cable jacket is PVC.
Cable length: 3 ± 0.1 m
Cable diameter: 6 ± 0.2 mm
The shield is connected to the element.

HANGZHOU GONGHENG WEIGHING EQUIPMENT CO.,LTD

www.hzgh-scales.com

hzghscale@yahoo.com