

## BM6G

### Load Cell BM6G



#### Products specification

- ◆ Single point with parallel beam.
- ◆ 17-4PH stainless steel construction, hermetically welded, oil-proof, waterproof and anti-corrosion, suitable for all kinds of environments.
- ◆ suitable for platform scales, electronic scales, belt scales and other electronic weighing devices.

#### Features

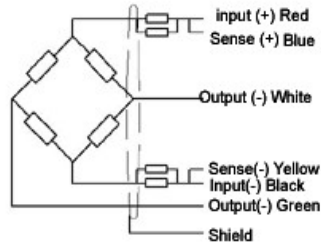
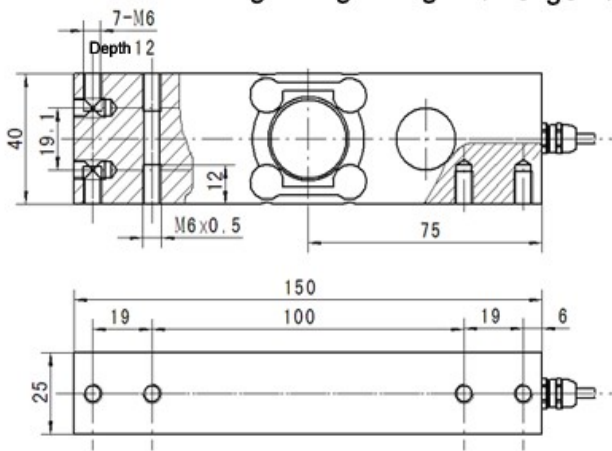
- ◆ Capacity: 10kg to 500kg.
- ◆ Recommended platform size:  
400x400mm(10kg-100kgSE)  
800x800mm(75kg-500kg)

#### Specifications

Capacity	kg	10/20/50/75/100/150/200/300/400/500		
Accuracy class		C3	C4	C5
Maximum number of verification intervals	n max	3000	4000	5000
Minimum load cell verification interval	v min	$E_{max}/10000$	$E_{max}/15000$	$E_{max}/20000$
Combined error	(%FS)	$\leq \pm 0.0230$	$\leq \pm 0.0173$	$\leq \pm 0.0140$
Creep	(%FS/30min)	$\leq \pm 0.0245$	$\leq \pm 0.0184$	$\leq \pm 0.0147$
Temperature effect on sensitivity	(%FS/10°C)	$\leq \pm 0.0117$	$\leq \pm 0.0088$	$\leq \pm 0.0070$
Temperature effect on zero	(%FS/10°C)	$\leq \pm 0.0140$	$\leq \pm 0.0093$	$\leq \pm 0.0070$
Output sensitivity	(mV/V)	2.0±0.2		
Input resistance	(Ω)	10kg-50kgSE/75kgSE/100kgSE		75/100/150/-500kg
		380±15		350±3.5
Output resistance	(Ω)	350±3.5		
Insulation resistance	(MΩ)	$\geq 5000(50VDC)$		
Zero balance	(%FS)	$\leq \pm 2.0\%$		
Temperature, compensated	(°C)	-10~+40		
Temperature, operating	(°C)	-35~+70		
Excitation, Recommended	(V)	5~12(DC)		
Excitation, Max	(V)	18(DC)		
Safe overload	(%FS)	150		
Ultimate overload	(%FS)	300		
Protection Class		IP68/IP69K		

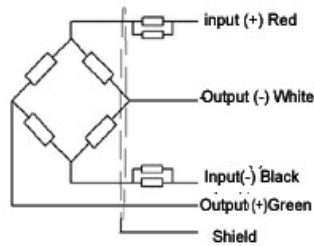
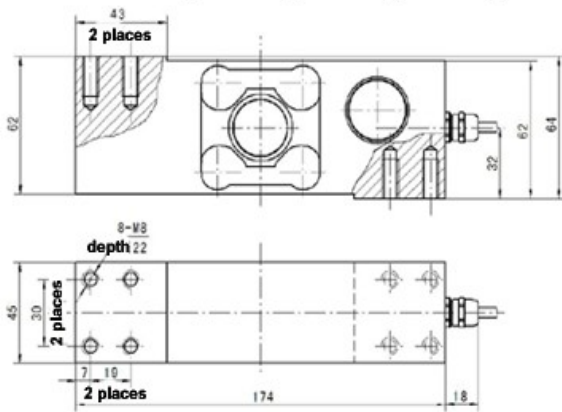
Outline Dimension mm(inch)

10kg / 20kg / 50kgSE / 75kgSE / 100kgSE



Wiring:  
Adopt shielded,4 conductor cable  
φ 5mm; Standard cable length:3m

75kg / 100kg / 150kg / 200kg/300kg/400kg / 500kg



Wiring:  
Adopt shielded,4 conductor cable  
φ 5mm; Standard cable length:3m

**HANGZHOU GONGHENG WEIGHING EQUIPMENT CO.,LTD**

[www.hzgh-scales.com](http://www.hzgh-scales.com)

[hzghscale@yahoo.com](mailto:hzghscale@yahoo.com)