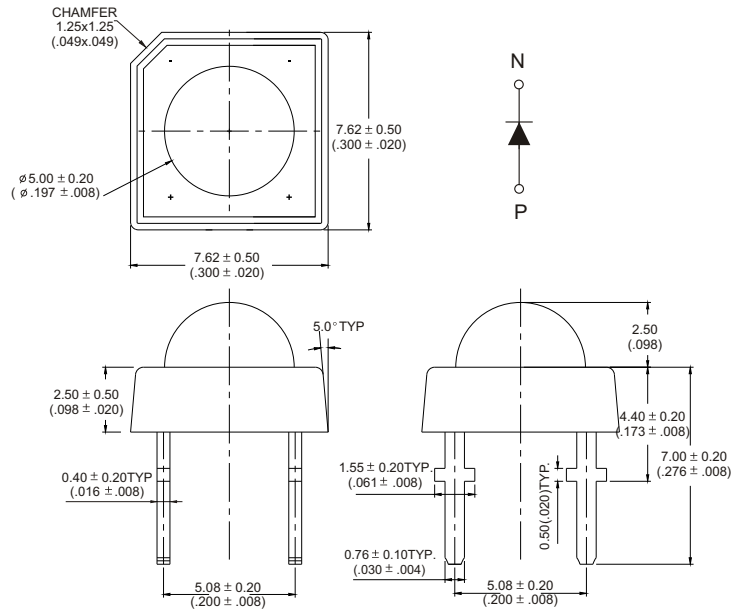




### ● Features:

- 1. Chip material: InGaN/SiC
- 2. Emitting color: Ultra White
- 3. Lens Appearance: Water Clear
- 4. Long life-solid state reliability
- 5. High luminance output
- 6. Design for high current operation
- 7. RoHS compliant

### ● Package dimensions



### Notes:

- 1. All dimensions are in millimeters (inches).
- 2. Tolerance is  $\pm 0.25$ mm (0.01") unless otherwise specified.
- 3. An epoxy meniscus may extend about 1.0mm down to the lead.
- 4. Specifications are subject to change without notice.



### ● Absolute maximum ratings (Ta=25°C)

Characteristic	Test Condition	Symbol	UW	Units
Pulse Forward Current	1/10 duty cycle 0.1ms Pulse width	I <sub>FP</sub>	100	mA
DC Forward Current		I <sub>F</sub>	30	mA
Reverse Current	V <sub>R</sub> =5V	I <sub>R</sub>	10	μA
Power Dissipation		P <sub>D</sub>	120	mW
Operating Temperature		T <sub>OPR</sub>	-40 to +80	°C
Storage Temperature		T <sub>STG</sub>	-40 to +85	°C
Lead Soldering Temperature	1.60mm from body maximum 3 seconds	T <sub>SOL</sub>	260	°C



### ● Electrical And Optical Characteristics(Ta=25°C)

Parameter	Test Condition	Symbol	Min.	Typ.	Max.	Units
Forward Voltage	IF=20mA	V <sub>F</sub>	---	3.30	3.80	V
Reverse Current	V <sub>R</sub> =5V	I <sub>R</sub>	---	---	10	μA
Chromaticity Coordinates	IF=20mA	X	---	0.30	---	nm
		Y	---	0.29	---	nm
Spectral Line Half-width	IF=20mA	Δλ	---	---	---	nm
Luminous Intensity	IF=20mA	I <sub>v</sub>	---	2000	---	mcd
Viewing Angle	IF=20mA	2θ½	---	70	---	deg.

### ● Typical electro-optical characteristics curves

