



26.00mm X 7.50mm Single Color Light Bar

Features:

- *High segment intensity
- *Wide viewing angle
- *Range of colors
- *Gray face White segment
- *RoHS compliant

Available option:

- *Alternative face color
- *Cropped terminal pins
- *Available emitting color
- *Low current version

Electro/Optical Characteristics If=20mA Ta=25°C

Part Number	Emitting Colors	Peak Wavelength	Forward Voltage V _F		Luminous Intensity I _v	
			Typ.	Max.	Min.	Typ.
NFA-R2608ZS-21	GaAlAs/GaAs SH Hi-Red	660	7.20	8.80	64.00	96.00
NFA-R2608ZD-21	GaAlAs/GaAs DH Super Red	660	7.20	8.80	176.00	224.00
NFA-R2608ZE-21	GaAsP/GaP Orange	632	8.40	10.00	64.00	96.00
NFA-R2608ZY-21	GaAsP/GaP Yellow	585	8.40	10.00	32.00	56.00
NFA-R2608ZG-21	GaP/GaP Green	568	8.80	10.00	56.00	88.00
Units		nm	V		mcd	

Maximum Ratings Ta=25°C (Derate above 25°C)

Characteristic	Test Condition	Symbol	S	D	E	Y	G	Units
Pulse Forward Current	1/10 duty cycle 0.1ms Pulse width	I _{FP}	100	100	100	100	100	mA
DC Forward Current		I _F	25	25	30	30	30	mA
Reverse Current	V _R =10V	I _R	10	10	10	10	10	μA
Power Dissipation		P _D	60*4	60*4	80*4	80*4	80*4	mW
Operating Temperature		T _{OPR}	-40 to +80					°C
Storage Temperature		T _{TSG}	-40 to +85					°C
Lead soldering temperature	1.60mm from body maximum 3 seconds		260					°C

Checked

Chen N.H.

Approved

Jason Chen

Date

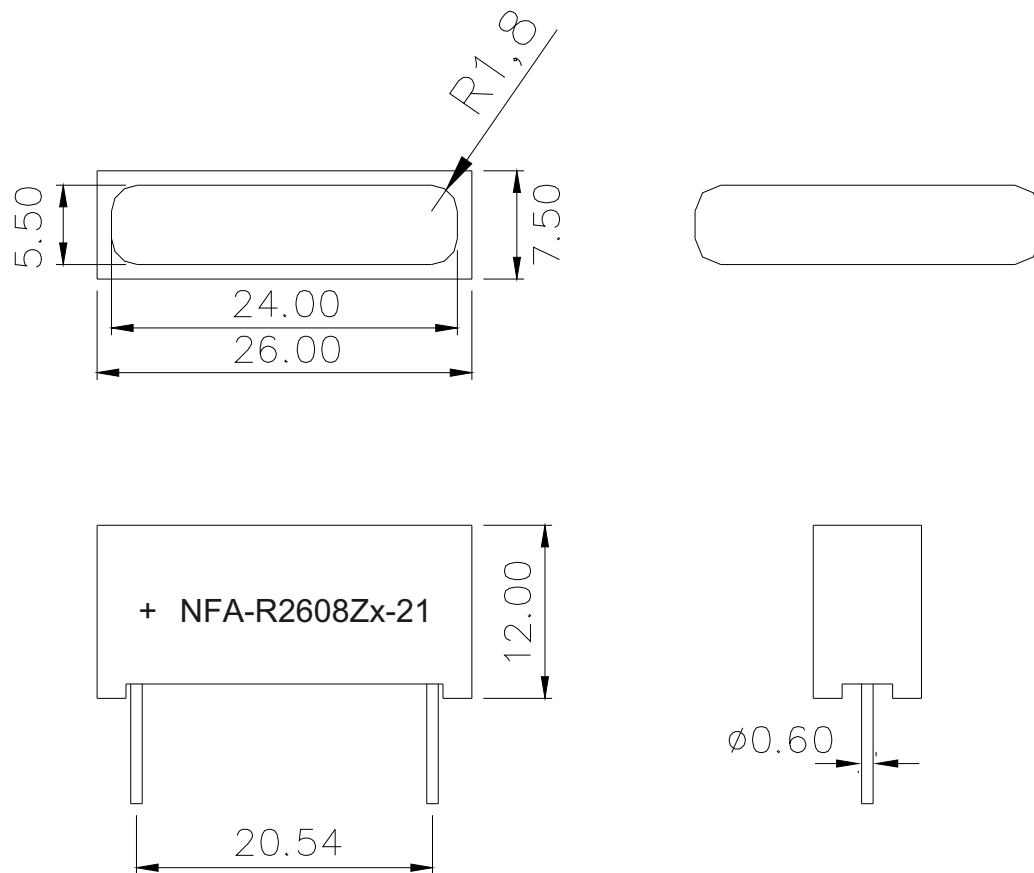
Feb/08/2007

PAGE 1 / 2



26.00mm X 7.50mm Single Color Light Bar

PACKAGE DIMENSION



INTERNAL CIRCUIT DIAGRAM

NFA-R2608Zx



Tolerance $\pm 0.25\text{mm}$ unless stated

Checked

Chen N.H.

Approved

Jason Chen

Date

Feb/08/2007

PAGE 2 / 2