



17.00mm X 15.00mm Single Color Light Bar

Features:

- *High segment intensity
- *Wide viewing angle
- *Range of colors
- *White face White segment
- *RoHS compliant

Available option:

- *Alternative face color
- *Cropped terminal pins
- *Available emitting color
- *Low current version

Electro/Optical Characteristics If=20mA Ta=25°C

Part Number	Emitting Colors	Peak Wavelength	Forward Voltage V _F		Luminous Intensity I _v	
			Typ.	Max.	Min.	Typ.
NFA-R1715ZH-01	GaP/GaP Red	700	2.25	2.50	1.60	3.20
NFA-R1715ZS-01	GaAlAs/GaAs SH Hi-Red	660	1.80	2.20	32.00	48.00
NFA-R1715ZD-01	GaAlAs/GaAs DH Super Red	660	1.80	2.20	88.00	112.00
NFA-R1715ZE-01	GaAsP/GaP Orange	632	2.10	2.50	32.00	48.00
NFA-R1715ZY-01	GaAsP/GaP Yellow	585	2.10	2.50	16.00	28.00
NFA-R1715ZG-01	GaP/GaP Green	568	2.20	2.50	28.00	44.00
Units		nm	V		mcd	

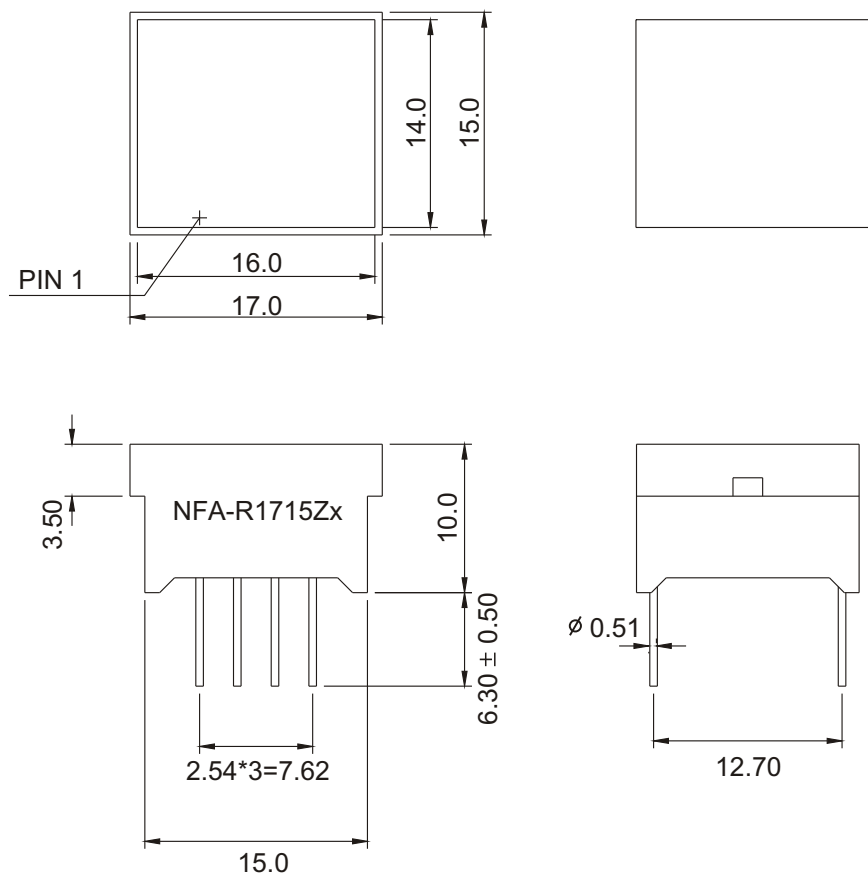
Maximum Ratings Ta=25°C (Derate above 25°C)

Characteristic	Test Condition	Symbol	H	S	D	E	Y	G	Units
Pulse Forward Current Per Seg.	1/10 duty cycle 0.1ms Pulse width	I _{FP}	50	100	100	100	100	100	mA
DC Forward Current Per Seg.		I _F	15	25	25	30	30	30	mA
Reverse Current Per Seg.	V _R =5V	I _R	10	10	10	10	10	10	μA
Power Dissipation		P _D	40*4	60*4	60*4	80*4	80*4	80*4	mW
Operating Temperature		T _{OPR}	-40 to +80						°C
Storage Temperature		T _{TSG}	-40 to +85						°C
Lead soldering temperature	1.60mm from body maximum 3 seconds		260						°C



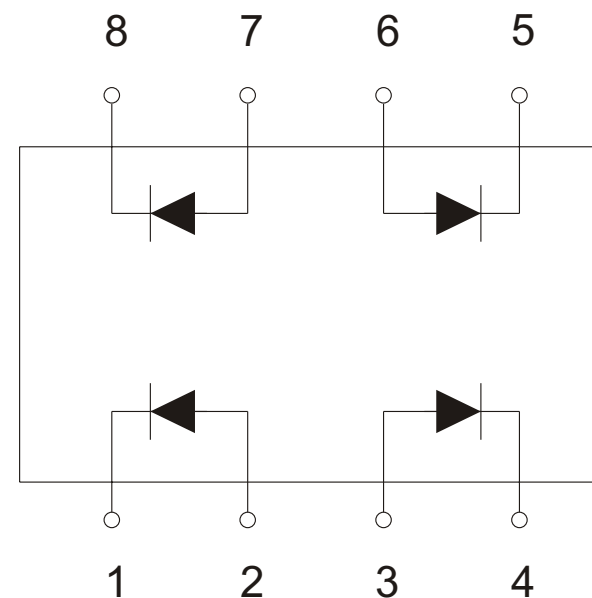
17.00mm X 15.00mm Single Color Light Bar

PACKAGE DIMENSION



INTERNAL CIRCUIT DIAGRAM

NFA-R1715Zx



Tolerance $\pm 0.25\text{mm}$ unless stated

Checked

Chen N.H.

Approved

Jason Chen

Date

Oct/16/2007

PAGE 2 / 2