



27.00mm X 27.00mm Single Color Light Bar

**Features:**

- \*High segment intensity
- \*Wide viewing angle
- \*Range of colors
- \*White face White segment
- \*RoHS compliant

**Available option:**

- \*Alternative face color
- \*Cropped terminal pins
- \*Available emitting color
- \*Low current version

**Electro/Optical Characteristics If=20mA Ta=25°C**

Part Number	Emitting Colors	Peak Wavelength	Forward Voltage V <sub>F</sub>		Luminous Intensity I <sub>v</sub>	
			Typ.	Max.	Min.	Typ.
NFA-S27ZH-01	GaP/GaP Red	700	2.25	2.50	3.60	7.20
NFA-S27ZS-01	GaAlAs/GaAs SH Hi-Red	660	1.80	2.20	72.00	108.00
NFA-S27ZD-01	GaAlAs/GaAs DH Super Red	660	1.80	2.20	198.00	252.00
NFA-S27ZE-01	GaAsP/GaP Orange	632	2.10	2.50	72.00	108.00
NFA-S27ZY-01	GaAsP/GaP Yellow	585	2.10	2.50	36.00	63.00
NFA-S27ZG-01	GaP/GaP Green	568	2.20	2.50	63.00	99.00
Units		nm	V		mcd	

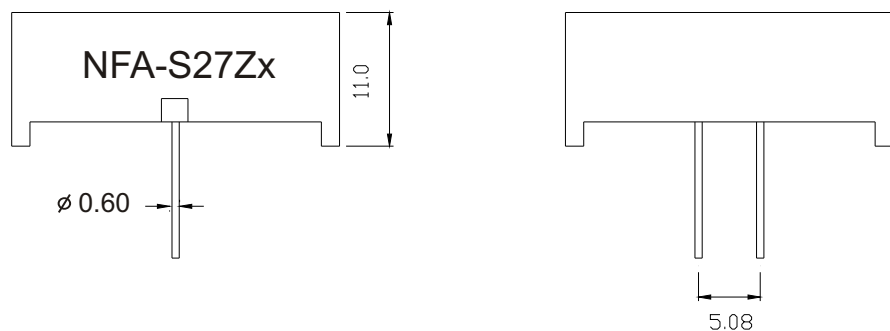
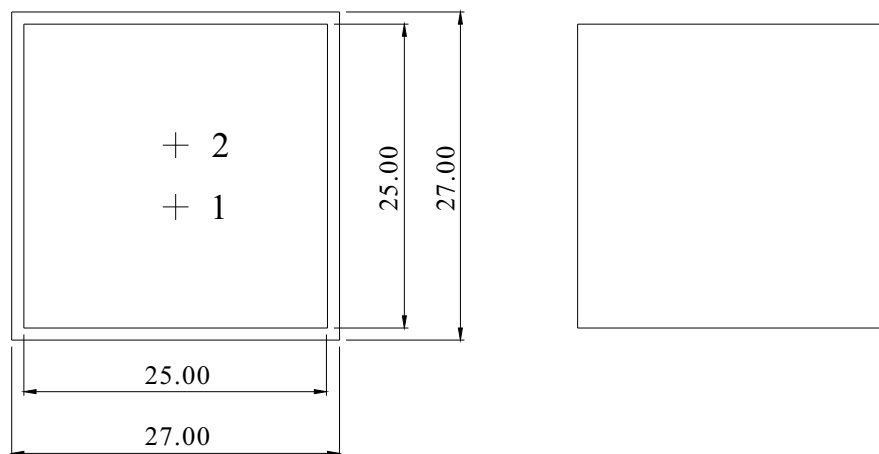
**Maximum Ratings Ta=25°C (Derate above 25°C)**

Characteristic	Test Condition	Symbol	H	S	D	E	Y	G	Units
Pulse Forward Current	1/10 duty cycle 0.1ms Pulse width	I <sub>FP</sub>	50*9	100*9	100*9	100*9	100*9	100*9	mA
DC Forward Current		I <sub>F</sub>	15*9	25*9	25*9	30*9	30*9	30*9	mA
Reverse Current	V <sub>R</sub> =5V	I <sub>R</sub>	10	10	10	10	10	10	μA
Power Dissipation		P <sub>D</sub>	40*9	60*9	60*9	80*9	80*9	80*9	mW
Operating Temperature		T <sub>OPR</sub>	-40 to +80						°C
Storage Temperature		T <sub>TSG</sub>	-40 to +85						°C
Lead soldering temperature	1.60mm from body maximum 3 seconds		260						°C



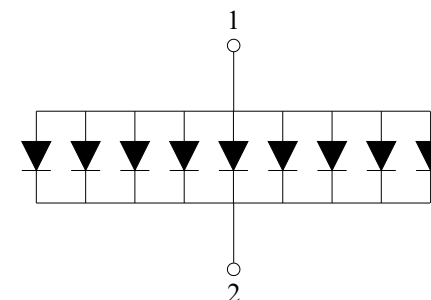
## 27.00mm X 27.00mm Single Color Light Bar

### PACKAGE DIMENSION



### INTERNAL CIRCUIT DIAGRAM

NFA-S27Zx



Tolerance  $\pm 0.25\text{mm}$  unless stated

Checked

Chen N.H.

Approved

Jason Chen

Date

Sep/05/2006

PAGE 2 /2