



## 20mm Round Single Color Light Bar

### Features:

- \*High segment intensity
- \*Wide viewing angle
- \*Range of colors
- \*Color diffused
- \*RoHS compliant

### Available option:

- \*Cropped terminal pins
- \*Available emitting color
- \*Low current version

### Electro/Optical Characteristics If=20mA Ta=25°C

Part Number	Emitting Colors	Peak Wavelength	Forward Voltage V <sub>F</sub>		Luminous Intensity I <sub>v</sub>	
			Typ.	Max.	Min.	Typ.
NFA-C20ZSD	GaAlAs/GaAs SH Hi-Red	660	5.40	6.60	48.00	72.00
NFA-C20ZDD	GaAlAs/GaAs DH Super Red	660	5.40	6.60	132.00	168.00
NFA-C20ZED	GaAsP/GaP Orange	632	6.30	7.50	48.00	72.00
NFA-C20ZYD	GaAsP/GaP Yellow	585	6.30	7.50	24.00	42.00
NFA-C20ZGD	GaP/GaP Green	568	6.60	7.50	42.00	66.00
Units		nm	V		mcd	

### Maximum Ratings Ta=25°C (Derate above 25°C)

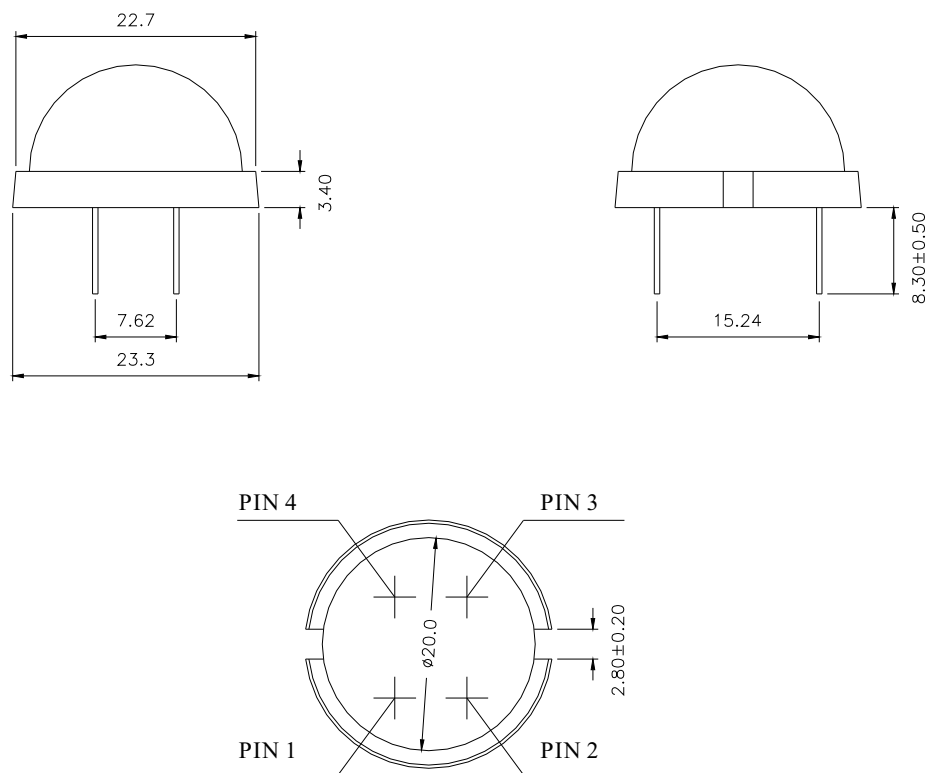
Characteristic	Test Condition	Symbol	S	D	E	Y	G	Units
Pulse Forward Current Per Seg.	1/10 duty cycle 0.1ms Pulse width	I <sub>FP</sub>	100	100	100	100	100	mA
DC Forward Current Per Seg.		I <sub>F</sub>	25	25	30	30	30	mA
Reverse Current Per Seg.	V <sub>R</sub> =5V	I <sub>R</sub>	10	10	10	10	10	μA
Power Dissipation		P <sub>D</sub>	60*6	60*6	80*6	80*6	80*6	mW
Operating Temperature		T <sub>OPR</sub>	-40 to +80					°C
Storage Temperature		T <sub>TSG</sub>	-40 to +85					°C
Lead soldering temperature	1.60mm from body maximum 3 seconds		260					°C

Checked	Chen N.H.	Approved	Jason Chen	Date	Oct/16/2007	PAGE 1 / 2
---------	-----------	----------	------------	------	-------------	------------



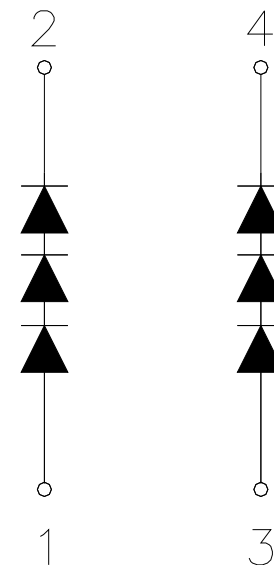
## 20mm Round Single Color Light Bar

### PACKAGE DIMENSION



### INTERNAL CIRCUIT DIAGRAM

#### NFA-C20Zx



Tolerance  $\pm 0.25$ mm unless stated

Checked

Chen N.H.

Approved

Jason Chen

Date

Oct/16/2007

PAGE 2 / 2