



20mm Round Single Color Light Bar

Features:

- *High segment intensity
- *Wide viewing angle
- *Range of colors
- *White face White segment
- *RoHS compliant

Available option:

- *Cropped terminal pins
- *Available emitting color
- *Low current version

Electro/Optical Characteristics If=20mA Ta=25°C

Part Number	Emitting Colors	Peak Wavelength	Forward Voltage V _F		Luminous Intensity I _v	
			Typ.	Max.	Min.	Typ.
NFA-C20ZUE5-01	AlGaInP/GaAs Ultra Orange	632	10.00	12.50	200.00	300.00
NFA-C20ZS5-01	GaAlAs/GaAs SH Hi-Red	660	9.00	11.00	40.00	60.00
NFA-C20ZD5-01	GaAlAs/GaAs DH Super Red	660	9.00	11.00	110.00	140.00
NFA-C20ZE5-01	GaAsP/GaP Orange	632	10.50	12.50	40.00	60.00
NFA-C20ZY5-01	GaAsP/GaP Yellow	585	10.50	12.50	20.00	35.00
NFA-C20ZG5-01	GaP/GaP Green	568	11.00	12.50	35.00	55.00
Units		nm	V		mcd	

Maximum Ratings Ta=25°C (Derate above 25°C)

Characteristic	Test Condition	Symbol	UE	S	D	E	Y	G	Units
Pulse Forward Current Per Seg.	1/10 duty cycle 0.1ms Pulse width	I _{FP}	100	100	100	100	100	100	mA
DC Forward Current Per Seg.		I _F	30	25	25	30	30	30	mA
Reverse Current Per Seg.	V _R =10V	I _R	10	10	10	10	10	10	μA
Power Dissipation		P _D	65*5	60*5	60*5	80*5	80*5	80*5	mW
Operating Temperature		T _{OPR}	-40 to +80						°C
Storage Temperature		T _{TSG}	-40 to +85						°C
Lead soldering temperature	1.60mm from body maximum 3 seconds		260						°C

Checked

Chen N.H.

Approved

Jason Chen

Date

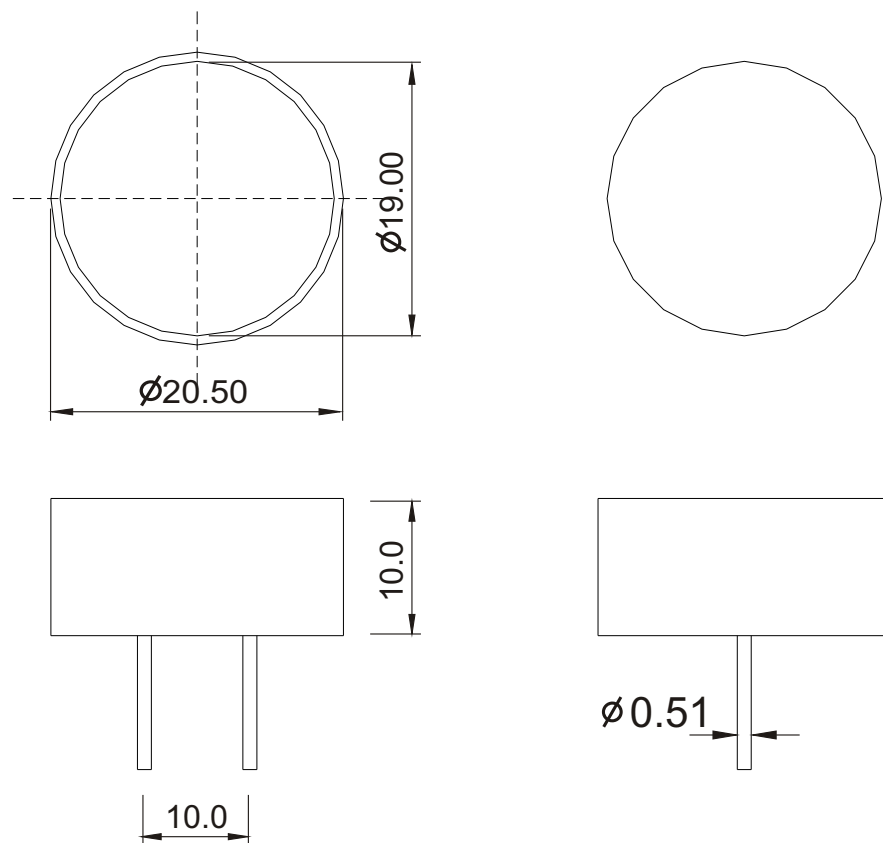
Mar/06/2007

PAGE 1 / 2



20mm Round Single Color Light Bar

PACKAGE DIMENSION



INTERNAL CIRCUIT DIAGRAM

NFA-C20Zx5



Tolerance $\pm 0.25\text{mm}$ unless stated

Checked

Chen N.H.

Approved

Jason Chen

Date

Mar/06/2007

PAGE 2 / 2