



20mm Round Single Color Light Bar

Features:

- *High segment intensity
- *Wide viewing angle
- *Range of colors
- *Green diffused
- *RoHS compliant

Available option:

- *Cropped terminal pins
- *Available emitting color
- *Low current version

Electro/Optical Characteristics If=20mA Ta=25°C

| Part Number | Emitting Colors | Peak Wavelength | Forward Voltage V _F | | Luminous Intensity I _v | |
|---------------|---------------------|-----------------|--------------------------------|------|-----------------------------------|--------|
| | | | Typ. | Max. | Min. | Typ. |
| NFA-C20ZGD-B | GaP/GaP Green | 568 | 2.10 | 2.50 | 42.00 | 66.00 |
| NFA-C20ZUGD-B | AlGaInP Ultra Green | 572 | 2.00 | 2.50 | 150.00 | 210.00 |
| | | | | | | |
| | | | | | | |
| | | | | | | |
| | | | | | | |
| | | | | | | |
| Units | | nm | V | | mcd | |

Maximum Ratings Ta=25°C (Derate above 25°C)

| Characteristic | Test Condition | Symbol | G | UG | | | | Units |
|--------------------------------|------------------------------------|------------------|------|------|--|--|------------|-------|
| Pulse Forward Current Per Seg. | 1/10 duty cycle 0.1ms Pulse width | I _{FP} | 100 | 100 | | | | mA |
| DC Forward Current Per Seg. | | I _F | 30 | 30 | | | | mA |
| Reverse Current Per Seg. | V _R =5V | I _R | 10 | 10 | | | | μA |
| Power Dissipation | | P _D | 80*6 | 70*6 | | | | mW |
| Operating Temperature | | T _{OPR} | | | | | -40 to +80 | °C |
| Storage Temperature | | T _{TSG} | | | | | -40 to +85 | °C |
| Lead soldering temperature | 1.60mm from body maximum 3 seconds | | | | | | 260 | °C |

Checked

Chen N.H.

Approved

Jason Chen

Date

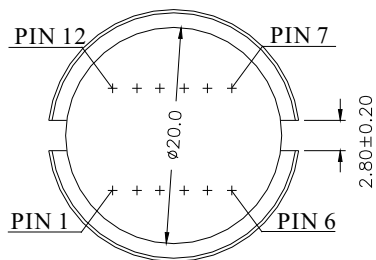
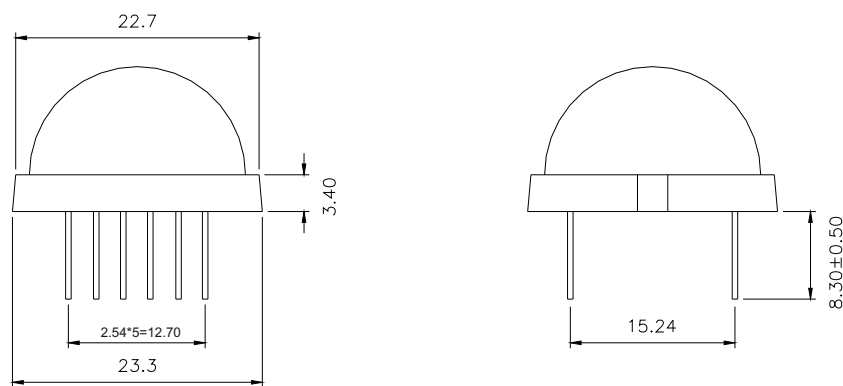
Dec/04/2009

PAGE 1 / 2



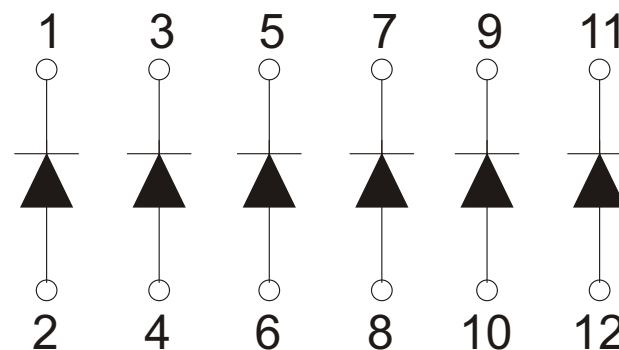
20mm Round Single Color Light Bar

PACKAGE DIMENSION



INTERNAL CIRCUIT DIAGRAM

NFA-C20Zx-B



Tolerance $\pm 0.25\text{mm}$ unless stated

Checked

Chen N.H.

Approved

Jason Chen

Date

Dec/04/2009

PAGE 2 / 2