



25.0mm X 14.0mm Special Design Led Displays

Features:

- *High segment intensity
- *Wide viewing angle
- *Range of colors
- *Black face White segment
- *RoHS compliant

Available option:

- *Alternative face and segment color
- *Cropped terminal pins
- *Available emitting color
- *Low current version

Electro/Optical Characteristics If=20mA Ta=25°C

Part Number	Emitting Colors	Peak Wavelength	Forward Voltage V _F /Seg.		Luminous Intensity I _v /Seg.	
			Typ.	Max.	Min.	Typ.
NFA-T072514DUG3UY2UE2-11-L	AlGaInP/GaAs Ultra Orange	632	2.00	2.50	30.00	45.00
	AlGaInP/GaAs Ultra Yellow	590	2.00	2.50	30.00	45.00
	AlGaInP/GaAs Ultra Green	574	2.10	2.50	25.00	35.00
Units		nm	V		mcd	

Maximum Ratings Ta=25°C (Derate above 25°C)

Characteristic		Symbol	UE	UY	UG			Units
Pulse Forward Current Per Seg.	1/10 duty cycle 0.1ms Pulse width	I _{FP}	80	80	80			mA
DC Forward Current Per Seg.		I _F	25	25	25			mA
Reverse Current Per Seg.	V _R =5V	I _R	10	10	10			μA
Power Dissipation		P _D	65*2	65*2	75*3			mW
Operating Temperature		T _{OPR}					-40 to +80	°C
Storage Temperature		T _{TSG}					-40 to +85	°C
Lead soldering temperature	1.60mm from body maximum 3 seconds						260	°C

Checked

Chen N.H.

Approved

Jason Chen

Date

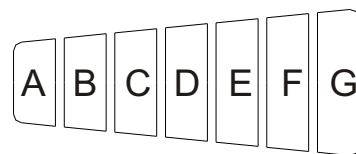
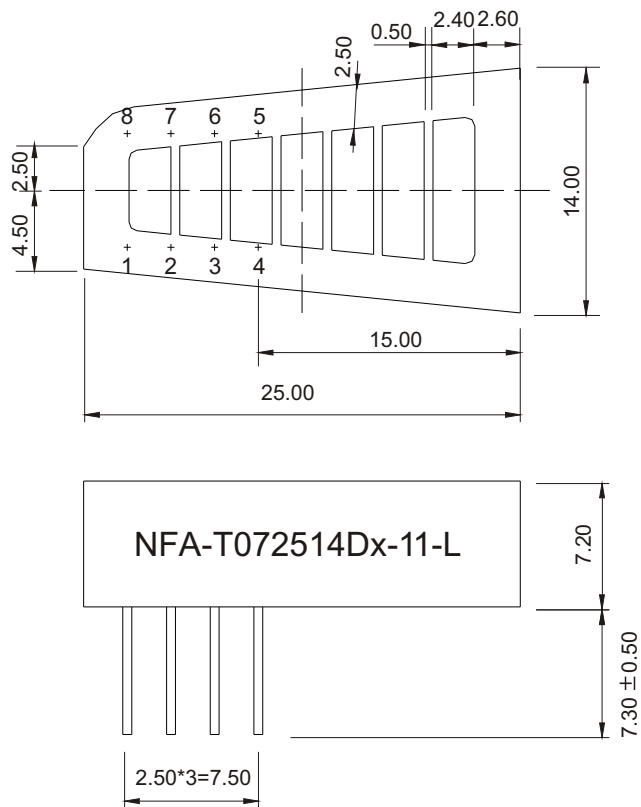
Jul/20/2009

PAGE 1 / 2



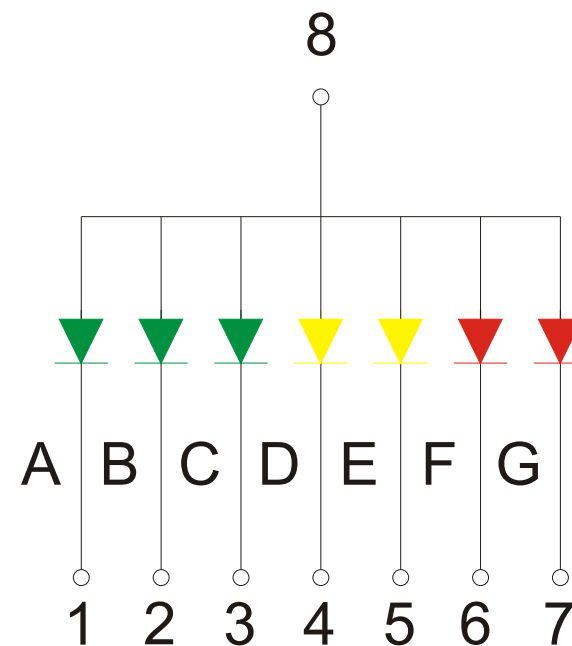
25.0mm X 14.0mm Special Design Led Displays

PACKAGE DIMENSION



INTERNAL CIRCUIT DIAGRAM

NFA-T072514Dx-L



Tolerance $\pm 0.25\text{mm}$ unless stated

Checked

Chen N.H.

Approved

Jason Chen

Date

Jul/20/2009

PAGE 2 / 2