



### 41.0mm X 63.0mm Special Design Arrow Led Displays

#### Features:

- \*Ultra segment intensity
- \*Wide viewing angle
- \*Range of colors
- \*Black face White segment
- \*RoHS compliant

#### Available option:

- \*Alternative face and segment color
- \*Cropped terminal pins
- \*Available emitting color
- \*Low current version

#### Electro/Optical Characteristics If=20mA Ta=25°C

Part Number	Emitting Color	Peak Wavelength	Forward Voltage Vf/Seg.		Luminous Intensity Iv/Seg.	
			Typ.	Max.	Min.	Typ.
NFA-T054163ZUHR-11	AlGaInP/GaAs Ultra Red	640	6.00	7.50	120.00	180.00
NFA-T054163ZUE-11	AlGaInP/GaAs Ultra Orange	632	6.00	7.50	120.00	180.00
NFA-T054163ZYO-11	AlGaInP/GaAs Ultra Amber	605	6.00	7.50	120.00	180.00
NFA-T054163ZUY-11	AlGaInP/GaAs Ultra Yellow	590	6.00	7.50	120.00	180.00
NFA-T054163ZUG-11	AlGaInP/GaAs Ultra Green	574	6.30	7.50	75.00	120.00
NFA-T054163ZPG-11	InGaN/SiC Pure Green	525	9.90	11.40	450.00	600.00
NFA-T054163ZUB-11	InGaN/SiC Ultra Blue	470	9.90	11.40	120.00	300.00
NFA-T054163ZUW-11	InGaN/SiC Ultra White	X-0.31/Y-0.31	9.90	11.40	600.00	1500.00
Units		nm	V		mcd	

#### Maximum Ratings Ta=25°C (Derate above 25°C)

Characteristic	Test Condition	Symbol	UHR	UE	YO	UY	UG	PG	UB	UW	Units
Pulse Forward Current Per Seg.	1/10 duty cycle 0.1ms Pulse width	I <sub>FP</sub>	100	100	100	100	100	100	100	100	mA
DC Forward Current Per Seg.		I <sub>F</sub>	30	30	30	30	30	30	30	30	mA
Reverse Current Per Seg.	V <sub>R</sub> =10V	I <sub>R</sub>	10	10	10	10	10	10	10	10	μA
Power Dissipation		P <sub>D</sub>	60*21	65*21	65*21	65*21	75*21	110*21	120*21	120*21	mW
Operating Temperature		T <sub>OPR</sub>	-40 to +80								°C
Storage Temperature		T <sub>TSG</sub>	-40 to +85								°C
Lead soldering temperature	1.60mm from body maximum 3 seconds		260								°C

Checked

Chen N.H.

Approved

Jason Chen

Date

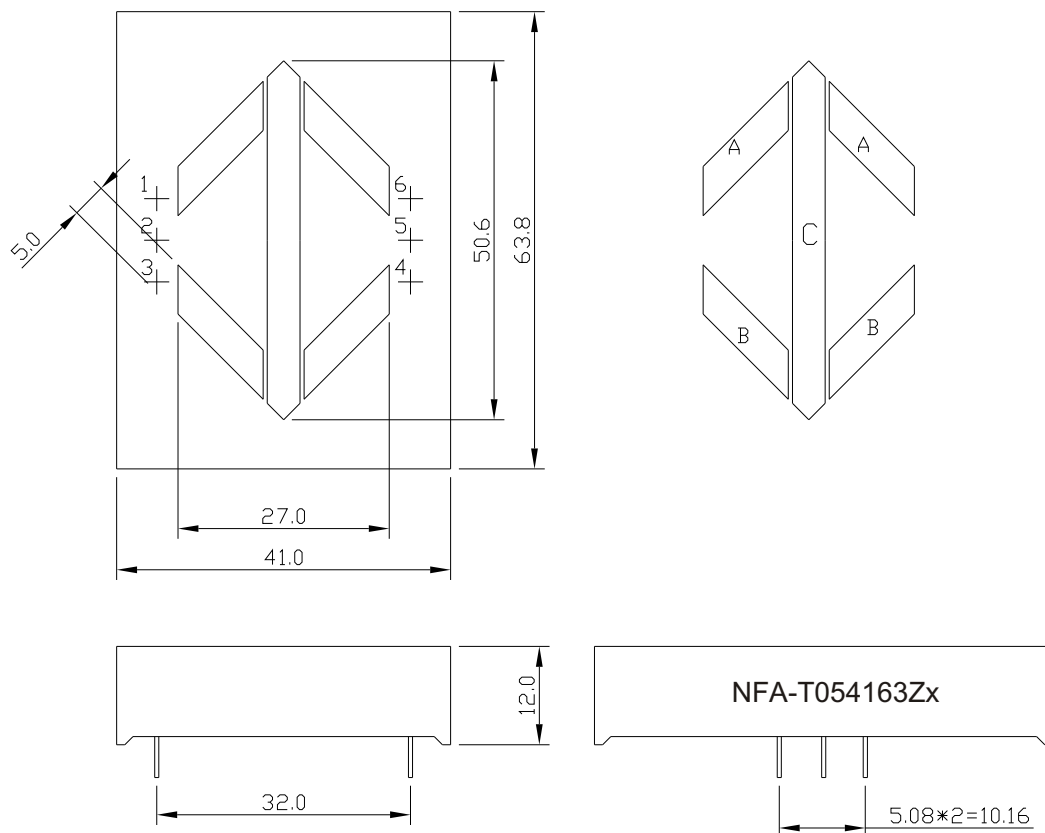
Mart/16/2009

PAGE 1 / 2



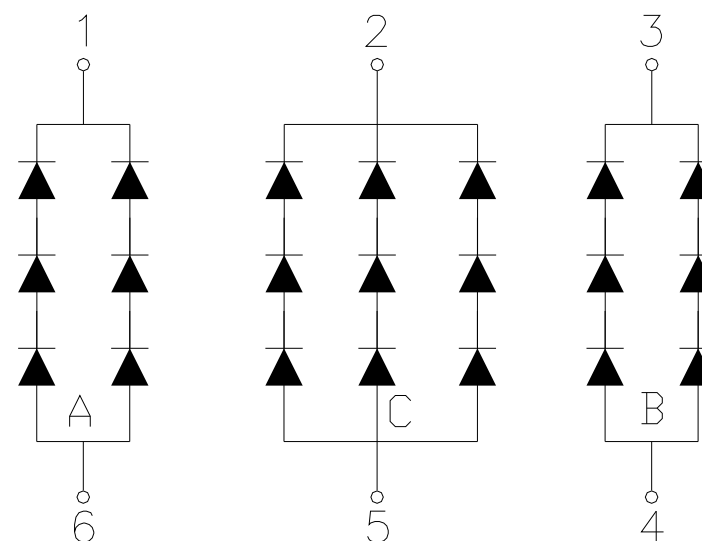
### 41.0mm X 63.0mm Special Design Arrow Led Displays

#### PACKAGE DIMENSION



#### INTERNAL CIRCUIT DIAGRAM

### NFA-T054163Zx



Tolerance  $\pm 0.25\text{mm}$  unless stated

Checked

Chen N.H.

Approved

Jason Chen

Date

Mar/16/2009

PAGE 2 / 2