



### 33.0mm X 37.0mm Special Design Arrow LED Displays

#### Features:

- \*High segment intensity
- \*Wide viewing angle
- \*Range of colors
- \*Black face White segment
- \*RoHS compliant

#### Available option:

- \*Alternative face and segment color
- \*Cropped terminal pins
- \*Available emitting color
- \*Low current version

### Electro/Optical Characteristics If=20mA Ta=25°C

Part Number	Emitting Color	Peak Wavelength	Forward Voltage V <sub>F</sub> /Seg.		Luminous Intensity I <sub>v</sub> /Seg.	
			Typ.	Max.	Min.	Typ.
NFA-T053347ZH-A-11	GaP/GaP Red	700	13.5	15.0	4.80	9.60
NFA-T053347ZS-A-11	GaAlAs/GaAs SH Hi-Red	660	10.8	13.2	96.00	144.00
NFA-T053347ZD-A-11	GaAlAs/GaAs DH Super Red	660	10.8	13.2	256.00	336.00
NFA-T053347ZE-A-11	GaAsP/GaP Orange	632	12.6	15.0	96.00	144.00
NFA-T053347ZY-A-11	GaAsP/GaP Yellow	585	12.6	15.0	48.00	84.00
NFA-T053347ZG-A-11	GaP/GaP Green	568	13.2	15.0	84.00	132.00
Units		nm	V		mcd	

### Maximum Ratings Ta=25°C (Derate above 25°C)

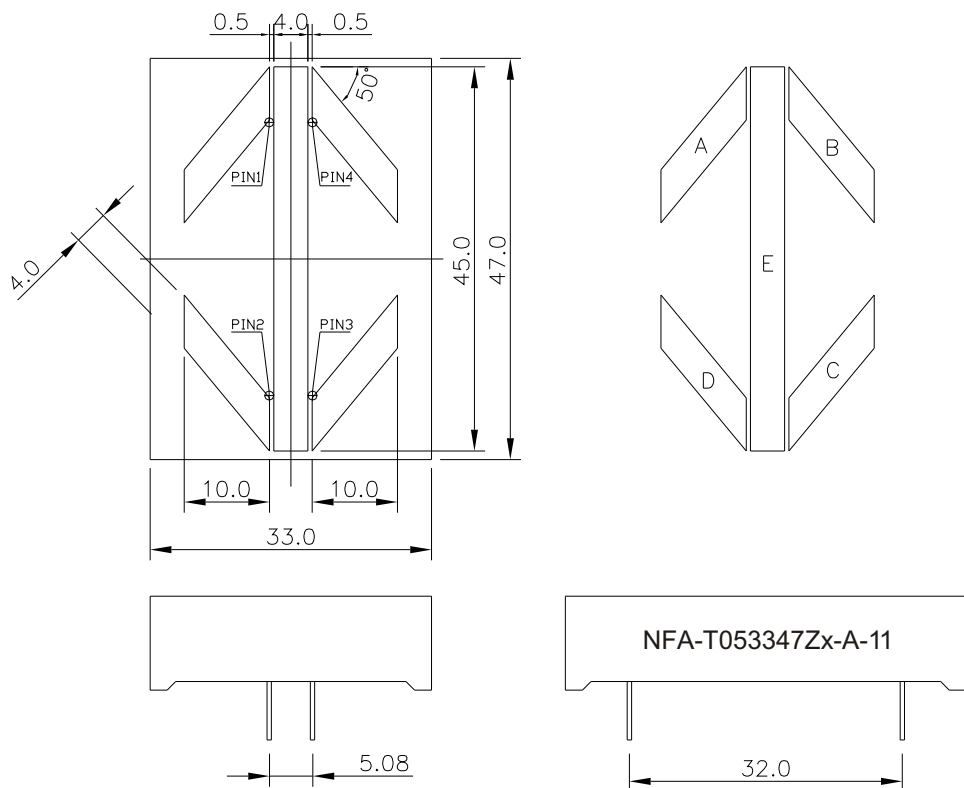
Characteristic	Test Condition	Symbol	H	S	D	E	Y	G	Units
Pulse Forward Current Per Seg.	1/10 duty cycle 0.1ms Pulse width	I <sub>FP</sub>	50*2	100*2	100*2	100*2	100*2	100*2	mA
DC Forward Current Per Seg.		I <sub>F</sub>	15*2	25*2	25*2	30*2	30*2	30*2	mA
Reverse Current Per Seg.	V <sub>R</sub> =10V	I <sub>R</sub>	10	10	10	10	10	10	μA
Power Dissipation		P <sub>D</sub>	40*24	60*24	60*24	80*24	80*24	80*24	mW
Operating Temperature		T <sub>OPR</sub>	-40 to +80						°C
Storage Temperature		T <sub>TSG</sub>	-40 to +85						°C
Lead soldering temperature	1.60mm from body maximum 3 seconds		260						°C

Checked	Chen N.H.	Approved	Jason Chen	Date	Nov/27/2007	PAGE 1 / 2			
---------	-----------	----------	------------	------	-------------	------------	--	--	--



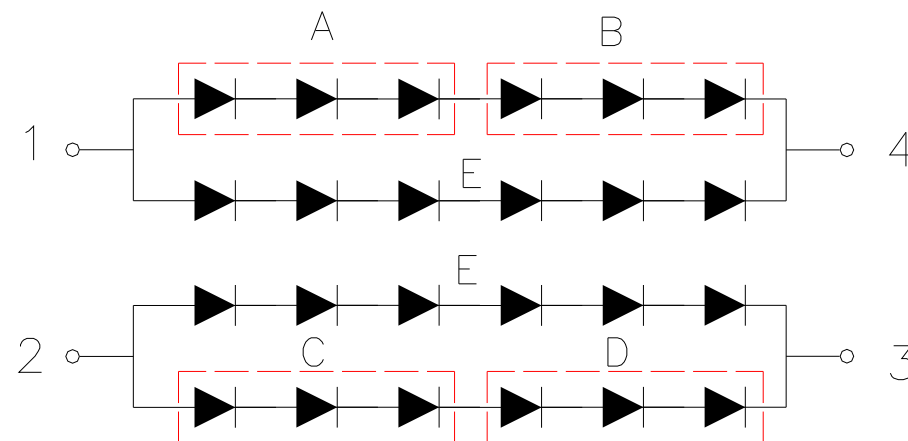
### 30.0mm X 34.0mm Special Design Arrow Led Displays

#### PACKAGE DIMENSION



#### INTERNAL CIRCUIT DIAGRAM

### NFA-T053347Zx-A



Tolerance  $\pm 0.25\text{mm}$  unless stated

Checked

Chen N.H.

Approved

Jason Chen

Date

Nov/27/2007

PAGE 2 / 2