



### 33.0mm X 37.0mm Special Design Arrow LED Displays

#### Features:

- \*Ultra segment intensity
- \*Wide viewing angle
- \*Range of colors
- \*Black face White segment
- \*RoHS compliant

#### Available option:

- \*Alternative face and segment color
- \*Cropped terminal pins
- \*Available emitting color
- \*Low current version

#### Electro/Optical Characteristics If=20mA Ta=25°C

Part Number	Emitting Color	Peak Wavelength	Forward Voltage V <sub>F</sub> /Seg.		Luminous Intensity I <sub>v</sub> /Seg.	
			Typ.	Max.	Min.	Typ.
NFA-T053347ZUB-11	InGaN/SiC Ultra Blue	470	10.50	12.00	480.0	720.0
Units		nm	V		mcd	

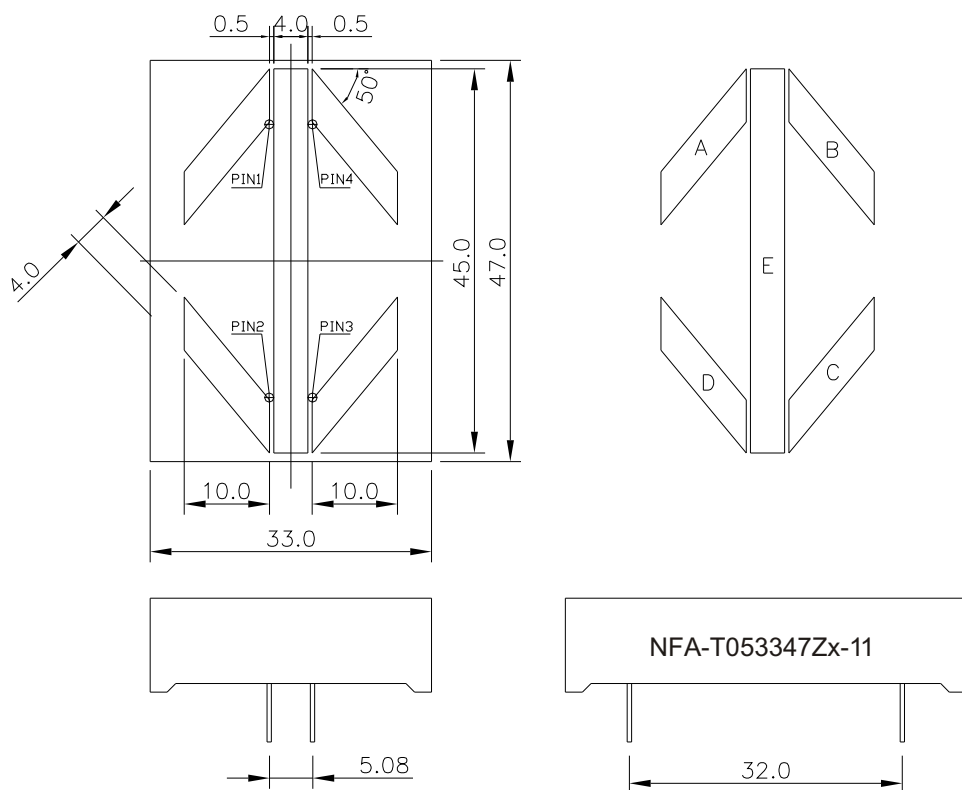
#### Maximum Ratings Ta=25°C (Derate above 25°C)

Characteristic	Test Condition	Symbol	UB					Units
Pulse Forward Current Per Seg.	1/10 duty cycle 0.1ms Pulse width	I <sub>FP</sub>	100*4					mA
DC Forward Current Per Seg.		I <sub>F</sub>	30*4					mA
Reverse Current Per Seg.	V <sub>R</sub> =10V	I <sub>R</sub>	10					μA
Power Dissipation		P <sub>D</sub>	120*24					mW
Operating Temperature		T <sub>OPR</sub>				-40 to +80		°C
Storage Temperature		T <sub>TSG</sub>				-40 to +85		°C
Lead soldering temperature	1.60mm from body maximum 3 seconds					260		°C



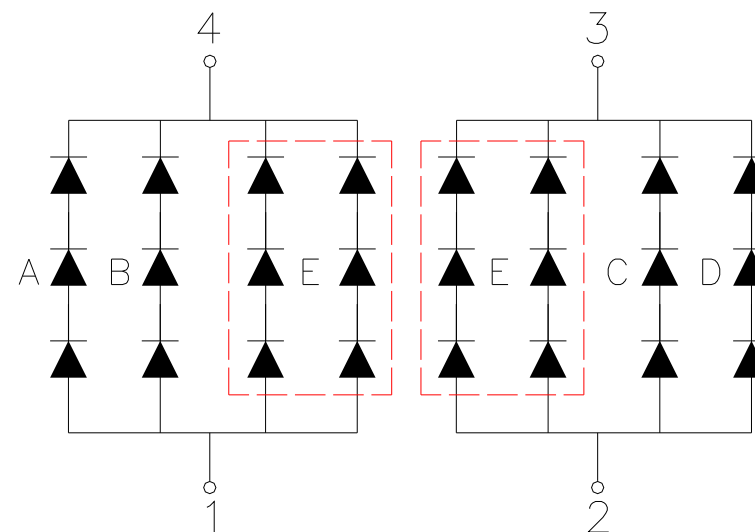
### 33.0mm X 37.0mm Special Design Arrow Led Displays

#### PACKAGE DIMENSION



#### INTERNAL CIRCUIT DIAGRAM

### NFA-T053347Zx



Tolerance  $\pm 0.25\text{mm}$  unless stated

Checked

Chen N.H.

Approved

Jason Chen

Date

Nov/27/2007

PAGE 2 / 2