



### 32.0mm X 46.0mm Special Design Arrow Led Displays

#### Features:

- \*High segment intensity
- \*Wide viewing angle
- \*Range of colors
- \*Black face White segment
- \*RoHS compliant

#### Available option:

- \*Alternative face and segment color
- \*Cropped terminal pins
- \*Available emitting color
- \*Low current version

### Electro/Optical Characteristics If=20mA Ta=25°C

Part Number	Emitting Colors	Peak Wavelength	Forward Voltage V <sub>F</sub> /Seg.		Luminous Intensity I <sub>v</sub> /Seg.	
			Typ.	Max.	Min.	Typ.
NFA-T053246ZH-11-B	GaP/GaP Red	700	6.75	7.50	1.20	2.40
NFA-T053246ZS-11-B	GaAlAs/GaAs SH Hi-Red	660	5.40	6.60	24.00	36.00
NFA-T053246ZD-11-B	GaAlAs/GaAs DH Super Red	660	5.40	6.60	66.00	84.00
NFA-T053246ZE-11-B	GaAsP/GaP Orange	632	6.30	7.50	24.00	36.00
NFA-T053246ZY-11-B	GaAsP/GaP Yellow	585	6.30	7.50	12.00	21.00
NFA-T053246ZG-11-B	GaP/GaP Green	568	6.60	7.50	21.00	33.00
Units		nm	V		mcd	

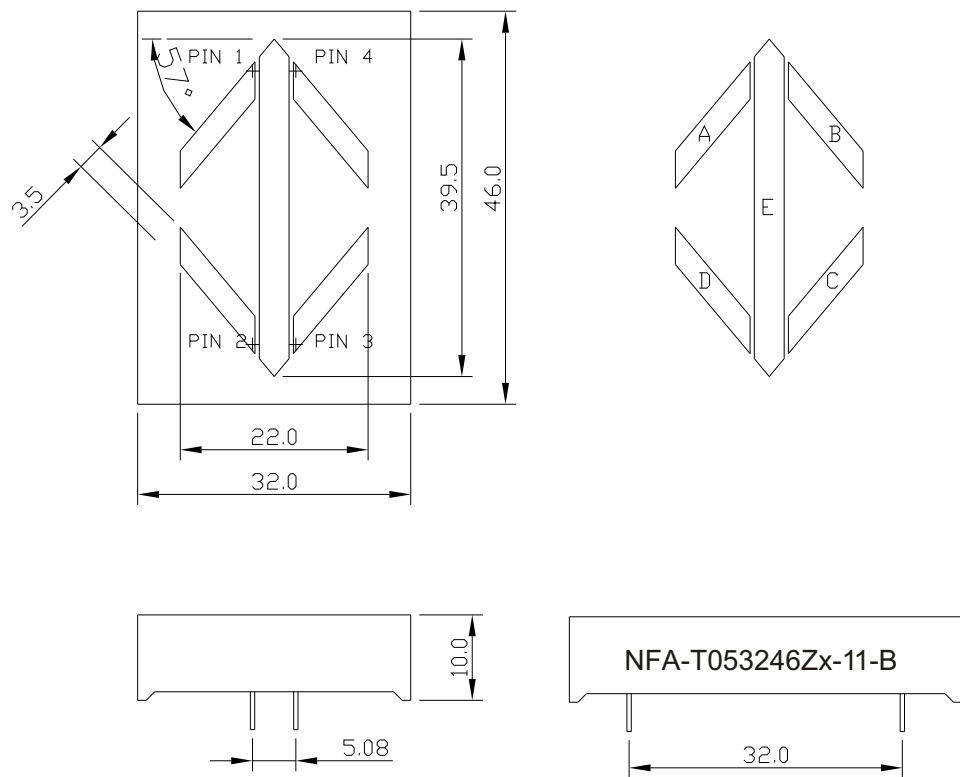
### Maximum Ratings Ta=25°C (Derate above 25°C)

Characteristic	Test Condition	Symbol	H	S	D	E	Y	G	Units
Pulse Forward Current Per Seg.	1/10 duty cycle 0.1ms Pulse width	I <sub>FP</sub>	50	100	100	100	100	100	mA
DC Forward Current Per Seg.		I <sub>F</sub>	15	25	25	30	30	30	mA
Reverse Current Per Seg.	V <sub>R</sub> =10V	I <sub>R</sub>	10	10	10	10	10	10	μA
Power Dissipation		P <sub>D</sub>	40*24	60*24	60*24	80*24	80*24	80*24	mW
Operating Temperature		T <sub>OPR</sub>	-40 to +80						°C
Storage Temperature		T <sub>TSG</sub>	-40 to +85						°C
Lead soldering temperature	1.60mm from body maximum 3 seconds		260						°C



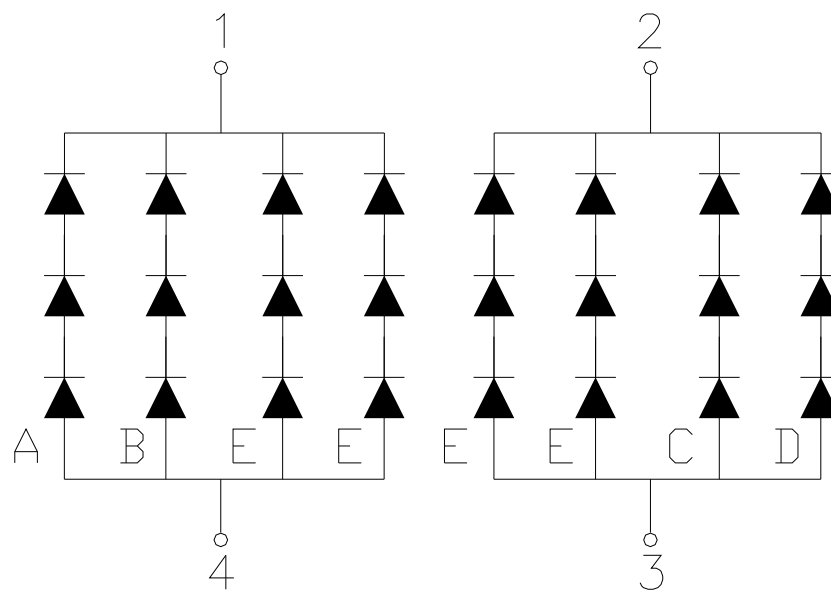
### 32.0mm X 46.0mm Special Design Arrow Led Displays

#### PACKAGE DIMENSION



#### INTERNAL CIRCUIT DIAGRAM

### NFA-T053246Zx-B



Tolerance  $\pm 0.25\text{mm}$  unless stated

Checked

Chen N.H.

Approved

Jason Chen

Date

Mar/14/2007

PAGE 2 / 2