



30.0mm X 54.0mm Special Design Arrow Led Displays

Features:

- *Ultra segment intensity
- *Wide viewing angle
- *Range of colors
- *Black face White segment
- *RoHS compliant

Available option:

- *Alternative face and segment color
- *Cropped terminal pins
- *Available emitting color
- *Low current version

Electro/Optical Characteristics If=20mA Ta=25°C

Part Number Common Cathode	Part Number Common Anode	Emitting Color	Peak Wavelength	Forward Voltage Vf/Seg.		Luminous Intensity Iv/Seg.	
				Typ.	Max.	Min.	Typ.
NFA-T053054AUHR-11	NFA-T053054BUHR-11	AlGaInP/GaAs Ultra Red	640	4.00	5.00	80.00	120.00
NFA-T053054AUE-11	NFA-T053054BUE-11	AlGaInP/GaAs Ultra Orange	632	4.00	5.00	80.00	120.00
NFA-T053054AYO-11	NFA-T053054BYO-11	AlGaInP/GaAs Ultra Amber	605	4.00	5.00	80.00	120.00
NFA-T053054AUY-11	NFA-T053054BUY-11	AlGaInP/GaAs Ultra Yellow	590	4.00	5.00	80.00	120.00
NFA-T053054AUG-11	NFA-T053054BUG-11	AlGaInP/GaAs Ultra Green	574	4.20	5.00	50.00	80.00
NFA-T053054APG-11	NFA-T053054BPG-11	InGaN/SiC Pure Green	525	6.60	7.60	300.00	400.00
NFA-T053054AUB-11	NFA-T053054BUB-11	InGaN/SiC Ultra Blue	470	6.60	7.60	80.00	200.00
NFA-T053054AUW-11	NFA-T053054BUW-11	InGaN/SiC Ultra White	X-0.31/Y-0.31	6.60	7.60	400.00	1000.00
Units			nm	V		mcd	

Maximum Ratings Ta=25°C (Derate above 25°C)

Characteristic	Test Condition	Symbol	UHR	UE	YO	UY	UG	PG	UB	UW	Units
Pulse Forward Current Per Seg.	1/10 duty cycle 0.1ms Pulse width	I _{FP}	100	100	100	100	100	100	100	100	mA
DC Forward Current Per Seg.		I _F	30	30	30	30	30	30	30	30	mA
Reverse Current Per Seg.	V _R =10V	I _R	10	10	10	10	10	10	10	10	μA
Power Dissipation		P _D	65*16	65*16	65*16	65*16	75*16	110*16	120*16	120*16	mW
Operating Temperature		T _{OPR}	-40 to +80								°C
Storage Temperature		T _{TSG}	-40 to +85								°C
Lead soldering temperature	1.60mm from body maximum 3 seconds		260								°C

Checked

Chen N.H.

Approved

Jason Chen

Date

Oct/4/2008

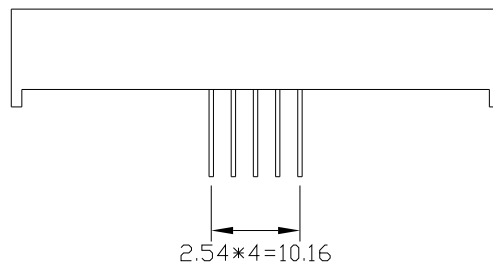
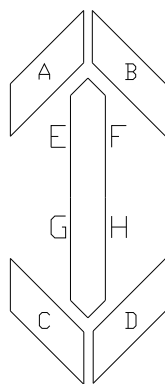
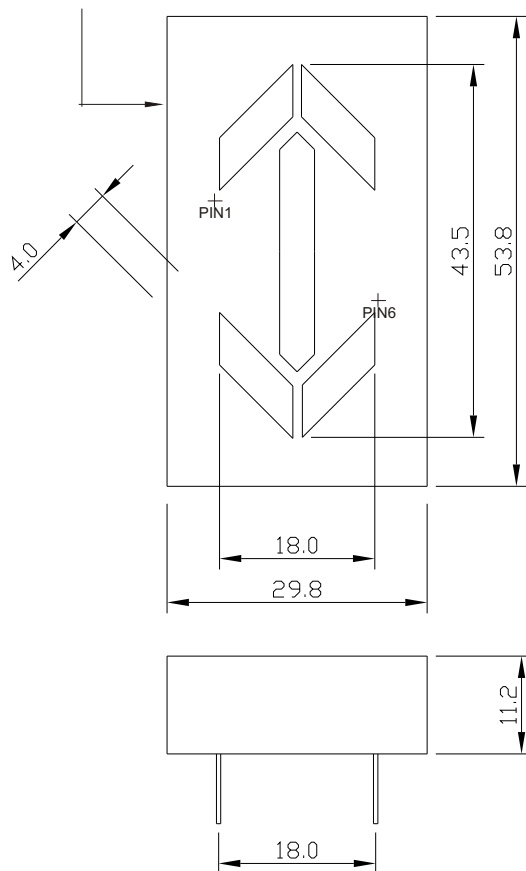
PAGE 1 / 2



30.0mm X 54.0mm Special Design Arrow Led Displays

PACKAGE DIMENSION

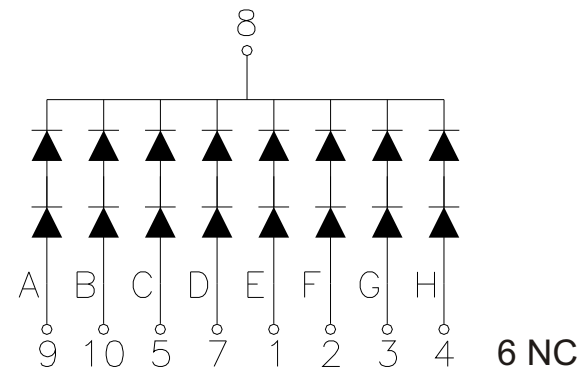
NFA-T053054xx-11



Tolerance $\pm 0.25\text{mm}$ unless stated

INTERNAL CIRCUIT DIAGRAM

NFA-T053054Ax



NFA-T053054Bx

