



30.0mm X 49.0mm Special Design Arrow Led Displays

Features:

- *Ultra segment intensity
- *Wide viewing angle
- *Range of colors
- *Black face White segment
- *RoHS compliant

Available option:

- *Alternative face and segment color
- *Cropped terminal pins
- *Available emitting color
- *Low current version

Electro/Optical Characteristics If=20mA Ta=25°C

Part Number	Emitting Color	Peak Wavelength	Forward Voltage Vf/Seg.		Luminous Intensity Iv/Seg.	
			Typ.	Max.	Min.	Typ.
NFA-T053049ZUHR-11	AlGaInP/GaAs Ultra Red	640	6.00	7.50	120.00	180.00
NFA-T053049ZUE-11	AlGaInP/GaAs Ultra Orange	632	6.00	7.50	120.00	180.00
NFA-T053049ZYO-11	AlGaInP/GaAs Ultra Amber	605	6.00	7.50	120.00	180.00
NFA-T053049ZUY-11	AlGaInP/GaAs Ultra Yellow	590	6.00	7.50	120.00	180.00
NFA-T053049ZUG-11	AlGaInP/GaAs Ultra Green	574	6.30	7.50	75.00	120.00
NFA-T053049ZPG-11	InGaN/SiC Pure Green	525	9.90	11.40	450.00	600.00
NFA-T053049ZUB-11	InGaN/SiC Ultra Blue	470	9.90	11.40	120.00	300.00
NFA-T053049ZUW-11	InGaN/SiC Ultra White	X-0.31/Y-0.31	9.90	11.40	600.00	1500.00
Units		nm	V		mcd	

Maximum Ratings Ta=25°C (Derate above 25°C)

Characteristic	Test Condition	Symbol	UHR	UE	YO	UY	UG	PG	UB	UW	Units
Pulse Forward Current Per Seg.	1/10 duty cycle 0.1ms Pulse width	I _{FP}	100	100	100	100	100	100	100	100	mA
DC Forward Current Per Seg.		I _F	30	30	30	30	30	30	30	30	mA
Reverse Current Per Seg.	V _R =5V	I _R	10	10	10	10	10	10	10	10	μA
Power Dissipation		P _D	60*18	65*18	65*18	65*18	75*18	110*18	120*18	120*18	mW
Operating Temperature		T _{OPR}	-40 to +80								°C
Storage Temperature		T _{TSG}	-40 to +85								°C
Lead soldering temperature	1.60mm from body maximum 3 seconds		260								°C

Checked

Chen N.H.

Approved

Jason Chen

Date

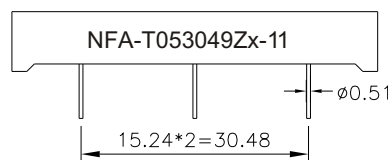
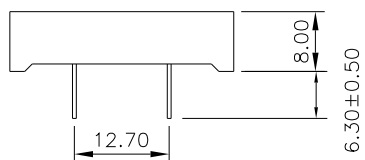
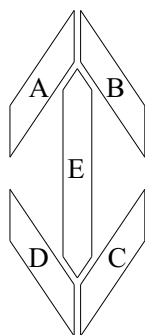
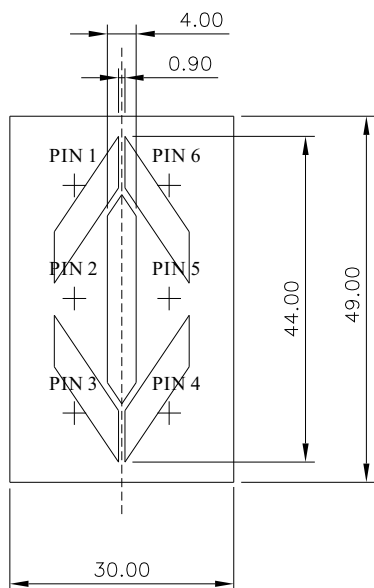
Feb/17/2012

PAGE 1 / 2



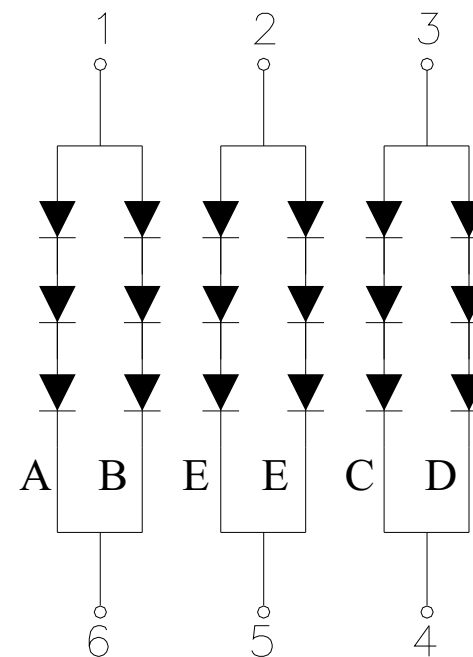
30.0mm X 49.0mm Special Design Arrow Led Displays

PACKAGE DIMENSION



INTERNAL CIRCUIT DIAGRAM

NFA-T053049Zx



Tolerance $\pm 0.25\text{mm}$ unless stated

Checked

Chen N.H.

Approved

Jason Chen

Date

Feb/17/2012

PAGE 2 / 2