



## 22.0mm Equilateral triangle Special Design Led Displays

### Features:

- \*High segment intensity
- \*Wide viewing angle
- \*Range of colors
- \*White face White segment
- \*RoHS compliant

### Available option:

- \*Alternative segment color
- \*Cropped terminal pins
- \*Available emitting color
- \*Low current version

### Electro/Optical Characteristics If=20\*2mA Ta=25°C

Part Number	Emitting Colors	Peak Wavelength	Forward Voltage V <sub>F</sub> /Seg.		Luminous Intensity I <sub>v</sub> /Seg.	
			Typ.	Max.	Min.	Typ.
NFA-T20ZH-01	GaP/GaP Red	700	9.00	10.00	3.20	6.40
NFA-T20ZS-01	GaAlAs/GaAs SH Hi-Red	660	7.20	8.80	64.00	96.00
NFA-T20ZD-01	GaAlAs/GaAs DH Super Red	660	7.20	8.80	176.00	224.00
NFA-T20ZE-01	GaAsP/GaP Orange	632	8.40	10.00	64.00	96.00
NFA-T20ZY-01	GaAsP/GaP Yellow	585	8.40	10.00	32.00	56.00
NFA-T20ZG-01	GaP/GaP Green	568	8.80	10.00	56.00	88.00
Units		nm	V		mcd	

### Maximum Ratings Ta=25°C (Derate above 25°C)

Characteristic	Test Condition	Symbol	H	S	D	E	Y	G	Units
Pulse Forward Current Per Seg.	1/10 duty cycle 0.1ms Pulse width	I <sub>FP</sub>	50*2	100*2	100*2	100*2	100*2	100*2	mA
DC Forward Current Per Seg.		I <sub>F</sub>	15*2	25*2	25*2	30*2	30*2	30*2	mA
Reverse Current Per Seg.	V <sub>R</sub> =10V	I <sub>R</sub>	10	10	10	10	10	10	μA
Power Dissipation		P <sub>D</sub>	40*8	60*8	60*8	80*8	80*8	80*8	mW
Operating Temperature		T <sub>OPR</sub>	-40 to +80						°C
Storage Temperature		T <sub>TSG</sub>	-40 to +85						°C
Lead soldering temperature	1.60mm from body maximum 3 seconds		260						°C

Checked

Chen N.H.

Approved

Jason Chen

Date

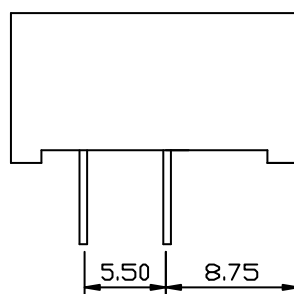
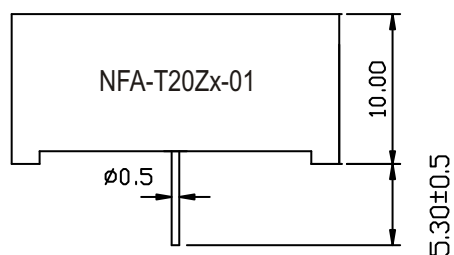
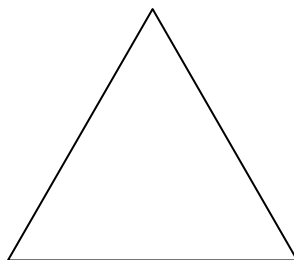
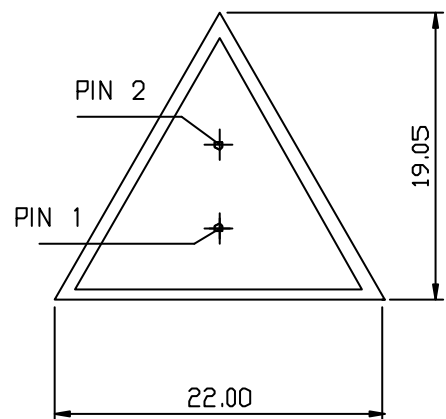
Jun/04/2006

PAGE 1 / 2



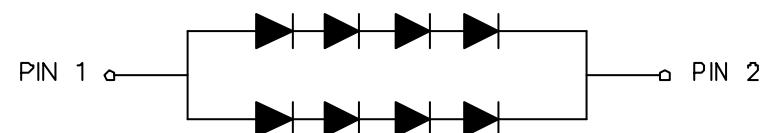
## 22.0mm Equilateral triangle Special Design Led Displays

### PACKAGE DIMENSION



### INTERNAL CIRCUIT DIAGRAM

NFA-T20Zx



Tolerance  $\pm 0.25\text{mm}$  unless stated

Checked

Chen N.H.

Approved

Jason Chen

Date

Jun/04/2006

PAGE 2 / 2