



NFCL-S39AUE2PG1UB1 Full Color Outdoor Lamp Cluster

Electro/Optical Characteristics If=20mA Ta=25°C

Part Number	Emitting Color	Peak Wavelength	Forward Voltage Vf		Luminous Intensity Iv		Viewing Angle
			Typ.	Max.	Min.	Typ.	2 θ 1/2
NFCL-S39AUE2PG1UB1-506D	AlGaInP Ultra Orange	630	4.00	4.60		850.0*2*4	45
	InGaN/SiC Pure Green	525	3.30	3.50		1600.0*4	45
	InGaN/SiC Ultra Blue	470	3.30	3.50		800.0*4	45
Units		nm	V		mcd		degree

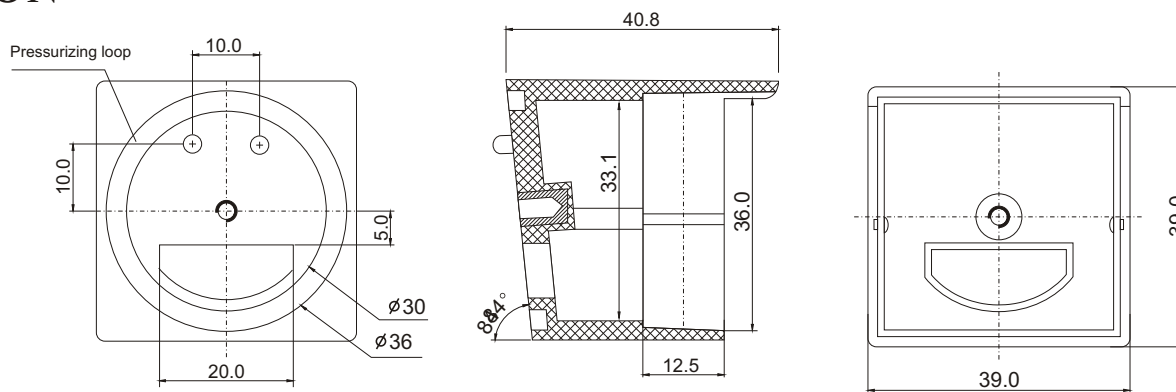
Maximum Ratings Ta=25°C (Derate above 25°C)

Characteristic	Test Condition	Symbol	UE	PG	UB	Units
Pulse Forward Current	0.1 duty cycle 0.1ms Pulse width	I _{FP}	100	100	100	mA
DC Forward Current		I _F	30	30	30	mA
Reverse Current	V _R =5V	I _R	10	10	10	μA
Power Dissipation		P _D	65*2*4	110*4	120*4	mW
Operating Temperature		T _{OPR}	-40 to +80			°C
Storage Temperature		T _{TSG}	-40 to +85			°C
Lead soldering temperature	1.60mm from body maximum 3 seconds		260			°C

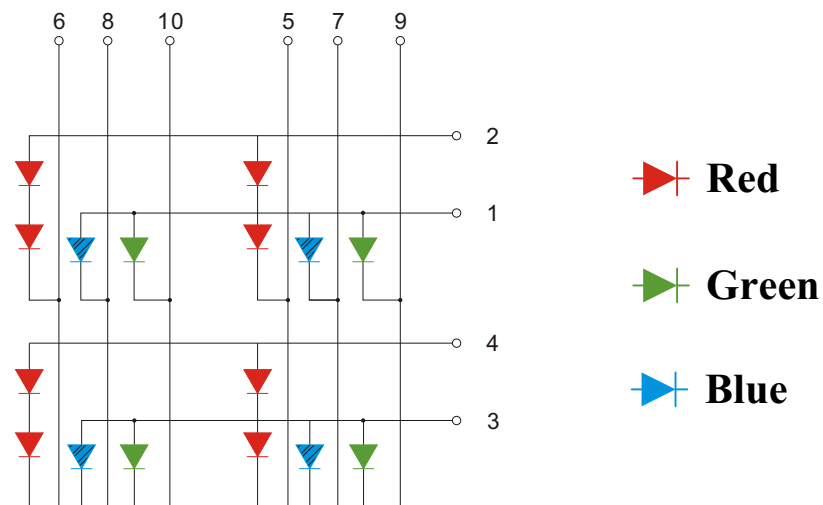
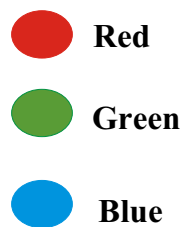
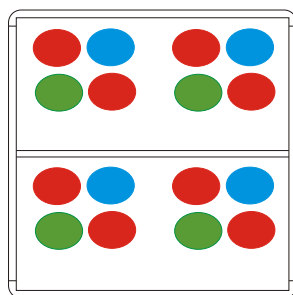


NFCL-S39AR2G1B1 Full Color Outdoor Lamp Cluster

PACKAGE DIMENSION



INTERNAL CIRCUIT DIAGRAM



Tolerance $\pm 0.25\text{mm}$ unless stated