



NFCL-S28xUE6PG4UB4 Full Color Outdoor Lamp Cluster

Electro/Optical Characteristics If=20mA Ta=25°C

Part Number	Emitting Color	Peak Wavelength	Forward Voltage V _F		Luminous Intensity I _v		Viewing Angle
			Typ.	Max.	Min.	Typ.	2 θ 1/2
NFCL-S28xUE6PG4UB4-506D	AlGaInP Ultra Orange	632	12.00	15.00		800.0*6	45
	InGaN Pure Green	525	13.20	15.20		2500.0*4	45
	InGaN Ultra Green	470	13.20	15.20		800.0*4	45
Units		nm	V		mcd		degree

Maximum Ratings Ta=25°C (Derate above 25°C)

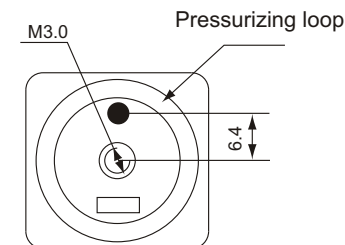
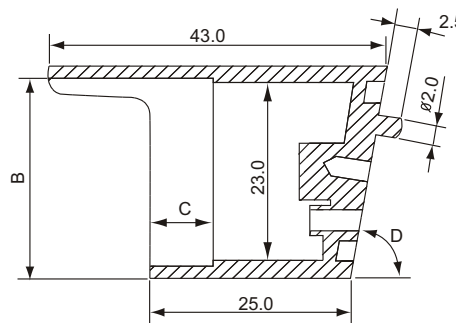
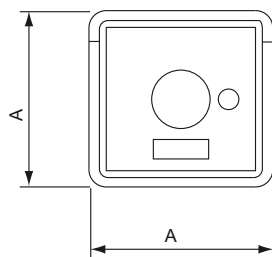
Characteristic	Test Condition	Symbol	UE	PG	UB	Units
Pulse Forward Current	0.1 duty cycle 0.1ms Pulse width	I _{FP}	100	100	100	mA
DC Forward Current		I _F	30	30	30	mA
Reverse Current	V _R =10V	I _R	10	10	10	μA
Power Dissipation		P _D	65*6	110*4	120*4	mW
Operating Temperature		T _{OPR}	-40 to +80			°C
Storage Temperature		T _{TSG}	-40 to +85			°C
Lead soldering temperature	1.60mm from body maximum 3 seconds		260			°C



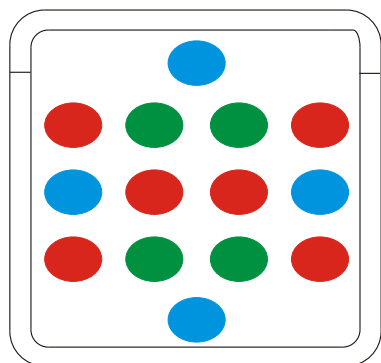
NFCL-S28xUE6PG4UB4 Full Color Outdoor Lamp Cluster

PACKAGE DIMENSION

Spec.	A	B	C	D
S28A	28.0 ^{+0.0} _{-0.1}	25	7	84°
S28B	28.0 ^{+0.0} _{-0.1}	25	10	84°

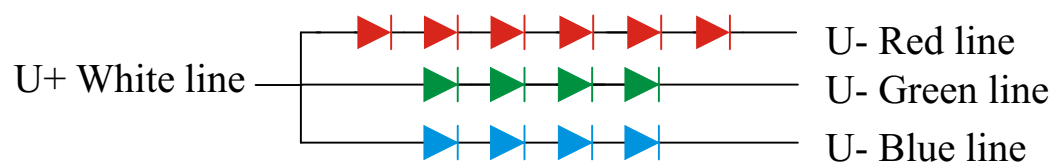


INTERNAL CIRCUIT DIAGRAM



- Red
- Green
- Blue

Common Anode



▶ Red ▶ Green ▶ Blue

Tolerance ±0.25mm unless stated