



NFCL-S26xUE2PG1 Bi-Color Outdoor Lamp Cluster

**Electro/Optical Characteristics If=20mA Ta=25°C**

Part Number	Emitting Color	Peak Wavelength	Forward Voltage V <sub>F</sub>		Luminous Intensity I <sub>v</sub>		Viewing Angle
			Typ.	Max.	Min.	Typ.	2 θ 1/2
NFCL-S26xUE2PG1-506C	AlGaInP Ultra Orange	632	4.00	5.00		1000.0*2	45
	InGaN Pure Green	525	3.30	3.80		6000.0	45
Units		nm	V		mcd		degree

**Maximum Ratings Ta=25°C (Derate above 25°C)**

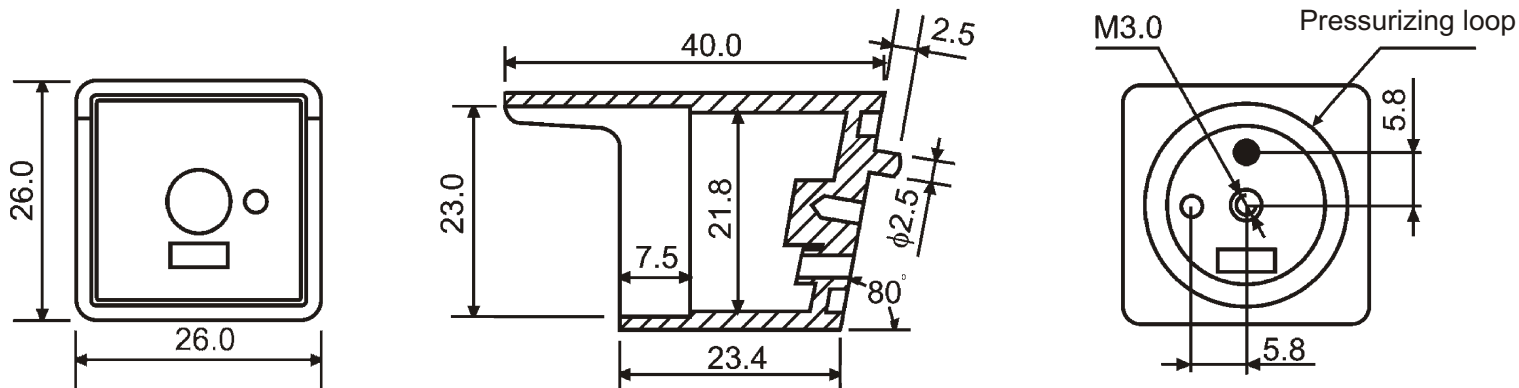
Characteristic	Test Condition	Symbol	UE	PG		Units
Pulse Forward Current	0.1 duty cycle 0.1ms Pulse width	I <sub>FP</sub>	100	100		mA
DC Forward Current		I <sub>F</sub>	30	30		mA
Reverse Current	V <sub>R</sub> =5V	I <sub>R</sub>	10	10		μA
Power Dissipation		P <sub>D</sub>	65*2	110		mW
Operating Temperature		T <sub>OPR</sub>	-40 to +80			°C
Storage Temperature		T <sub>TSG</sub>	-40 to +85			°C
Lead soldering temperature	1.60mm from body maximum 3 seconds		260			°C

Checked	Chen N.H.	Approved	Jason Chen	Date	Oct/09/2007	PAGE 1/2
---------	-----------	----------	------------	------	-------------	----------

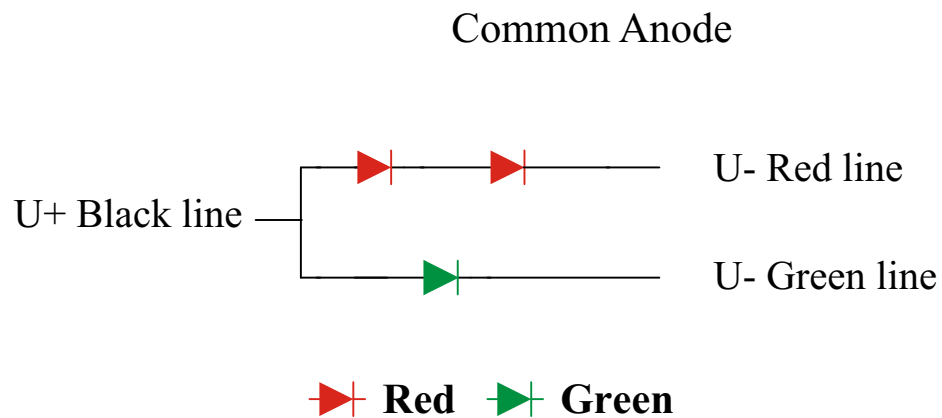
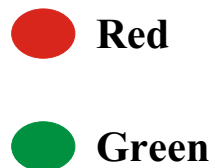
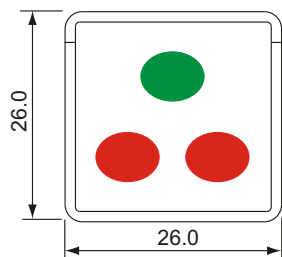


## NFCL-S26xUE2PG1 Bi-Color Outdoor Lamp Cluster

### PACKAGE DIMENSION



### INTERNAL CIRCUIT DIAGRAM



Tolerance  $\pm 0.25\text{mm}$  unless stated