



NFCL-S21AUE2PG2 Bi-Color Outdoor Lamp Cluster

Electro/Optical Characteristics If=20mA Ta=25°C

Part Number	Emitting Color	Peak Wavelength	Forward Voltage V _F		Luminous Intensity I _v		Viewing Angle
			Typ.	Max.	Min.	Typ.	2 θ 1/2
NFCL-S21AUE2PG2-506D	AlGaInP Ultra Orange	632	4.00	5.00		900.0*2	45
	InGaN Pure Green	525	3.30	3.80		5500.0*2	45
Units		nm	V		mcd		degree

Maximum Ratings Ta=25°C (Derate above 25°C)

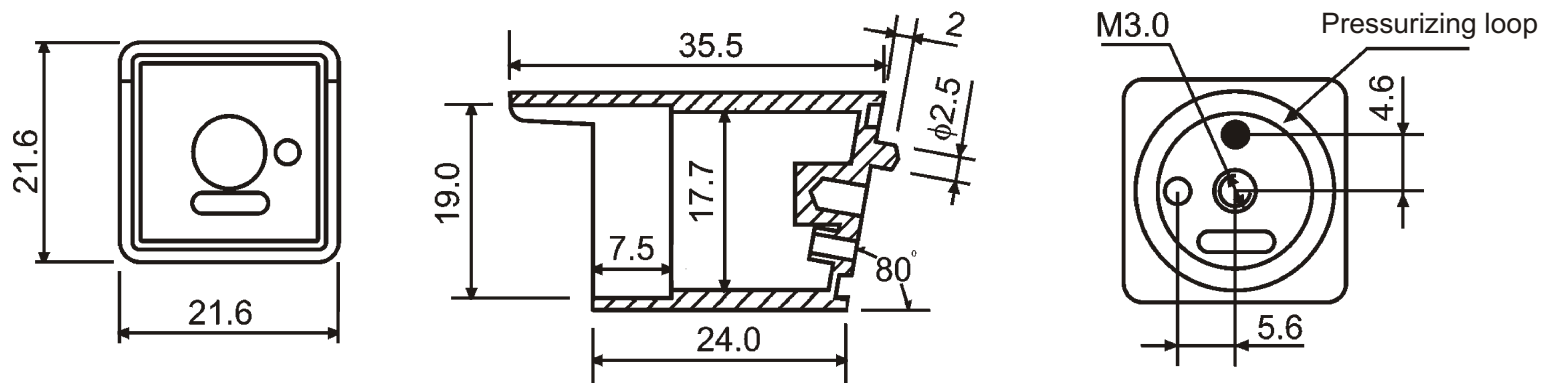
Characteristic	Test Condition	Symbol	UE	PG		Units
Pulse Forward Current	0.1 duty cycle 0.1ms Pulse width	I _{FP}	100	100		mA
DC Forward Current		I _F	30	30		mA
Reverse Current	V _R =5V	I _R	10	10		μA
Power Dissipation		P _D	65*2	110*2		mW
Operating Temperature		T _{OPR}	-40 to +80			°C
Storage Temperature		T _{STG}	-40 to +85			°C
Lead soldering temperature	1.60mm from body maximum 3 seconds		260			°C

Checked	Chen N.H.	Approved	Jason Chen	Date	May/11/2009	PAGE 1/2
---------	-----------	----------	------------	------	-------------	----------

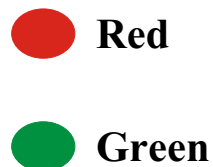
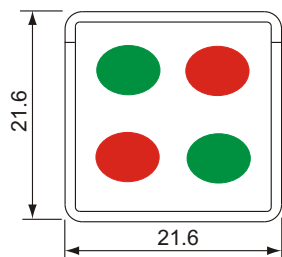


NFCL-S21AUE2PG2 Bi-Color Outdoor Lamp Cluster

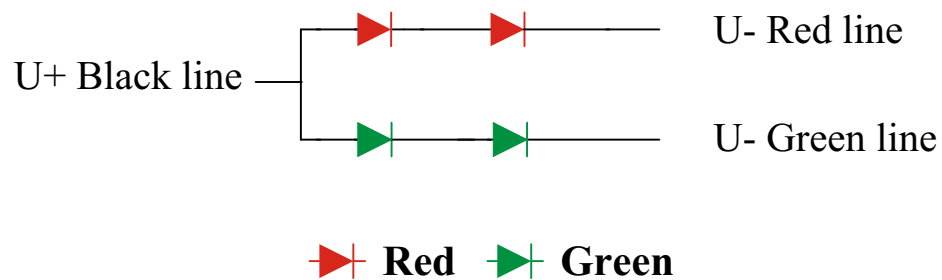
PACKAGE DIMENSION



INTERNAL CIRCUIT DIAGRAM



Common Anode



Tolerance $\pm 0.25\text{mm}$ unless stated