



NFCL-S21AD9 Single Color Outdoor Lamp Cluster

**Electro/Optical Characteristics If=20mA Ta=25°C**

Part Number	Emitting Color	Peak Wavelength	Forward Voltage V <sub>F</sub>		Luminous Intensity I <sub>v</sub>		Viewing Angle
			Typ.	Max.	Min.	Typ.	2 θ 1/2
NFCL-S21AD9-506D	GaAlAs/GaAs DH Super Red	660	5.40	6.60		250.0*9	45
Units		nm	V		mcd		degree

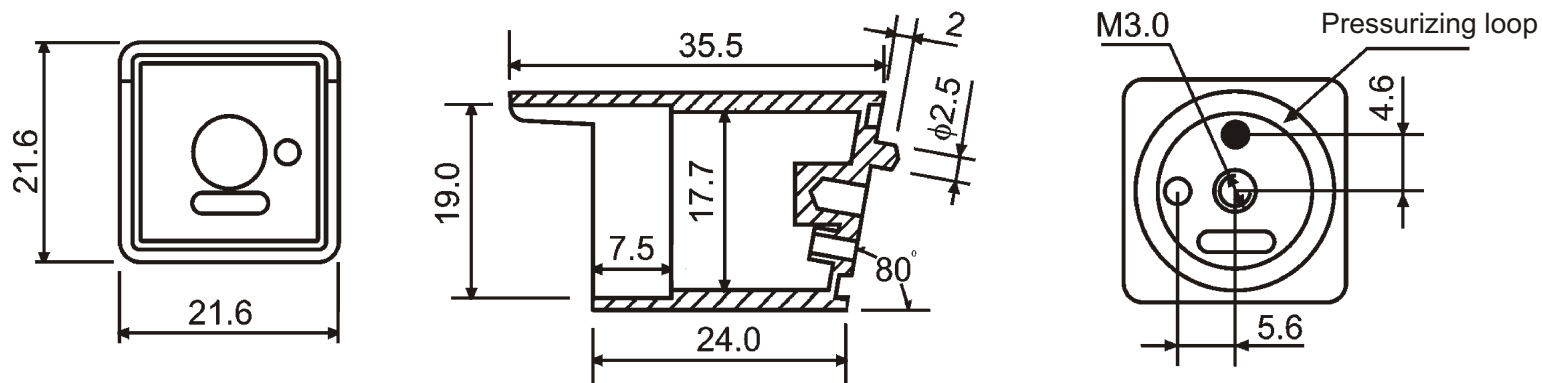
**Maximum Ratings Ta=25°C (Derate above 25°C)**

Characteristic	Test Condition	Symbol	D		Units
Pulse Forward Current	0.1 duty cycle 0.1ms Pulse width	I <sub>FP</sub>	100*3		mA
DC Forward Current		I <sub>F</sub>	25*3		mA
Reverse Current	V <sub>R</sub> =15V	I <sub>R</sub>	10		μA
Power Dissipation		P <sub>D</sub>	60*9		mW
Operating Temperature		T <sub>OPR</sub>	-40 to +80		°C
Storage Temperature		T <sub>STG</sub>	-40 to +85		°C
Lead soldering temperature	1.60mm from body maximum 3 seconds		260		°C

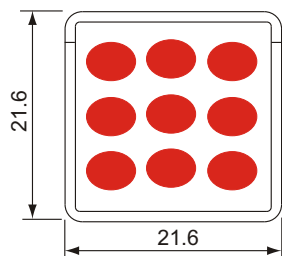


## NFCL-S21AD9 Single Color Outdoor Lamp Cluster

### PACKAGE DIMENSION



### INTERNAL CIRCUIT DIAGRAM

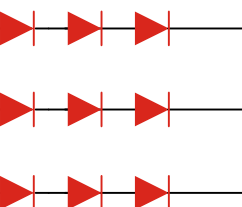


● Red

Common Anode

U+ White line

U- Red line



▶▶ Red

Tolerance  $\pm 0.25\text{mm}$  unless stated

Checked

Chen N.H.

Approved

Jason Chen

Date

Jan/17/2008

PAGE 2 / 2