



NFCL-S21AD4G5 Bi-Color Outdoor Lamp Cluster

Electro/Optical Characteristics If=20mA Ta=25°C

| Part Number | Emitting Color | Peak Wavelength | Forward Voltage V _F | | Luminous Intensity I _v | | Viewing Angle |
|--------------------|--------------------------|-----------------|--------------------------------|-------|-----------------------------------|---------|---------------|
| | | | Typ. | Max. | Min. | Typ. | 2 θ 1/2 |
| NFCL-S21AD4G5-506D | GaAlAs/GaAs DH Super Red | 660 | 7.20 | 8.80 | | 250.0*4 | 45 |
| | GaP/GaP Green | 568 | 8.80 | 12.50 | | 180*5 | 45 |
| | | | | | | | |
| | | | | | | | |
| | | | | | | | |
| | | | | | | | |
| Units | | nm | V | | mcd | | degree |

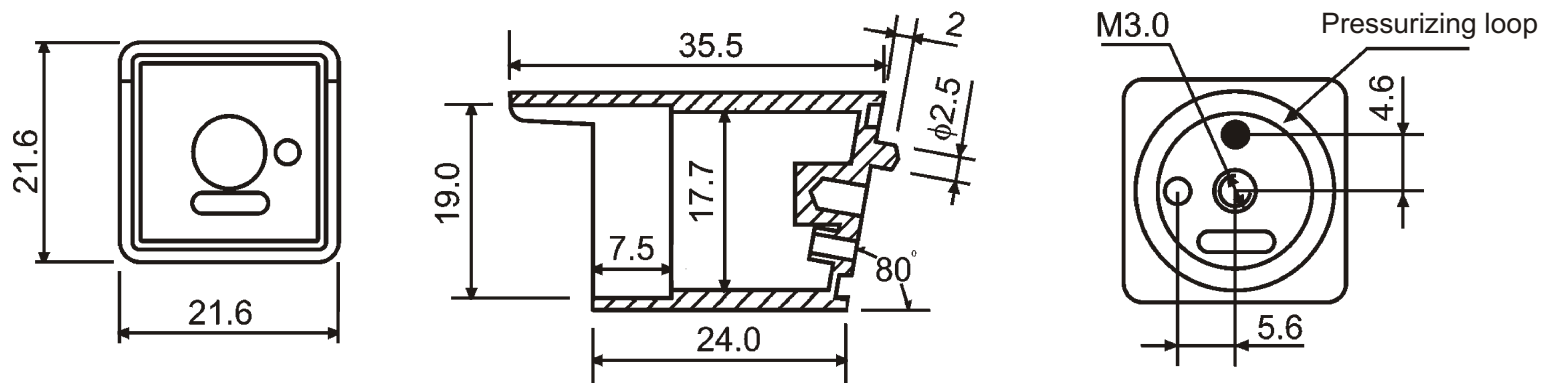
Maximum Ratings Ta=25°C (Derate above 25°C)

| Characteristic | Test Condition | Symbol | D | G | | Units |
|----------------------------|------------------------------------|------------------|------------|------|--|-------|
| Pulse Forward Current | 0.1 duty cycle 0.1ms Pulse width | I _{FP} | 100 | 100 | | mA |
| DC Forward Current | | I _F | 25 | 30 | | mA |
| Reverse Current | V _R =15V | I _R | 10 | 10 | | μA |
| Power Dissipation | | P _D | 60*4 | 80*5 | | mW |
| Operating Temperature | | T _{OPR} | -40 to +80 | | | °C |
| Storage Temperature | | T _{STG} | -40 to +85 | | | °C |
| Lead soldering temperature | 1.60mm from body maximum 3 seconds | | 260 | | | °C |

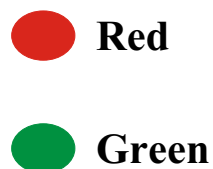
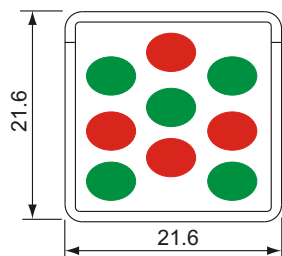


NFCL-S21AD4G5 Bi-Color Outdoor Lamp Cluster

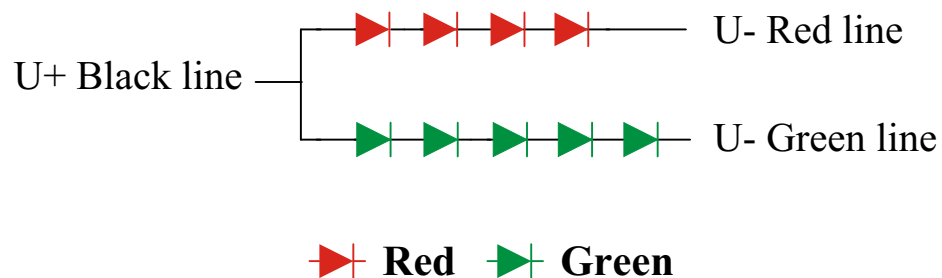
PACKAGE DIMENSION



INTERNAL CIRCUIT DIAGRAM



Common Anode



Tolerance $\pm 0.25\text{mm}$ unless stated