



NFCL-R52AUY Single Color Outdoor Lamp Cluster

Electro/Optical Characteristics If=20mA Ta=25°C

Part Number	Emitting Color	Peak Wavelength	Forward Voltage V _F		Luminous Intensity I _v		Viewing Angle
			Typ.	Max.	Min.	Typ.	2 θ 1/2
NFCL-R52AUYn50-506C	AlGaInP Ultra Yellow	592	20.00	23.00		1200.0*50	45
Units		nm	V		mcd		degree

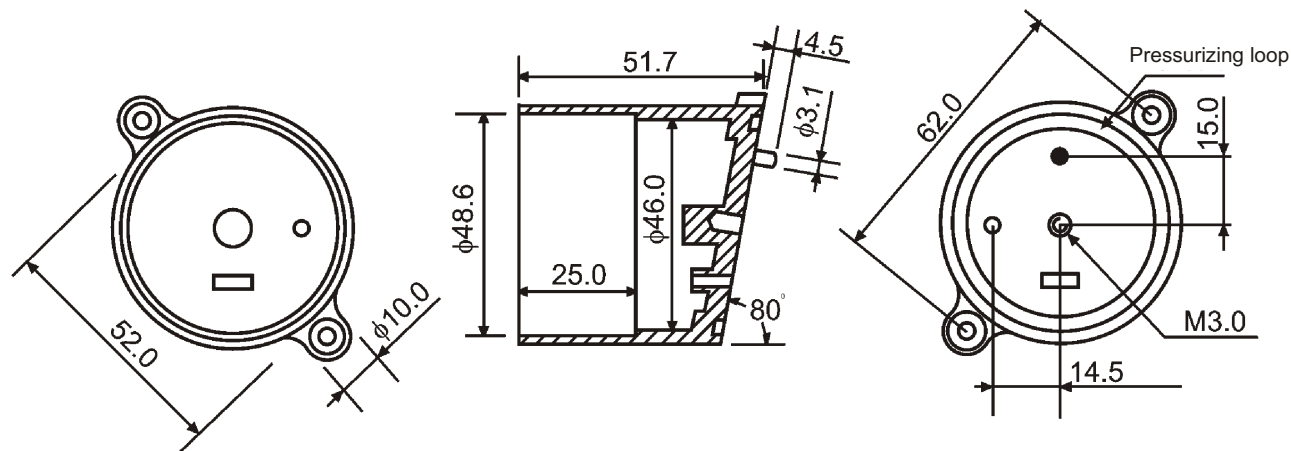
Maximum Ratings Ta=25°C (Derate above 25°C)

Characteristic	Test Condition	Symbol	UY		Units
Pulse Forward Current	0.1 duty cycle 0.1ms Pulse width	I _{FP}	100		mA
DC Forward Current		I _F	30		mA
Reverse Current	V _R =10V	I _R	10		μA
Power Dissipation		P _D	65*50		mW
Operating Temperature		T _{OPR}	-40 to +80		°C
Storage Temperature		T _{TSG}	-40 to +85		°C
Lead soldering temperature			260		°C

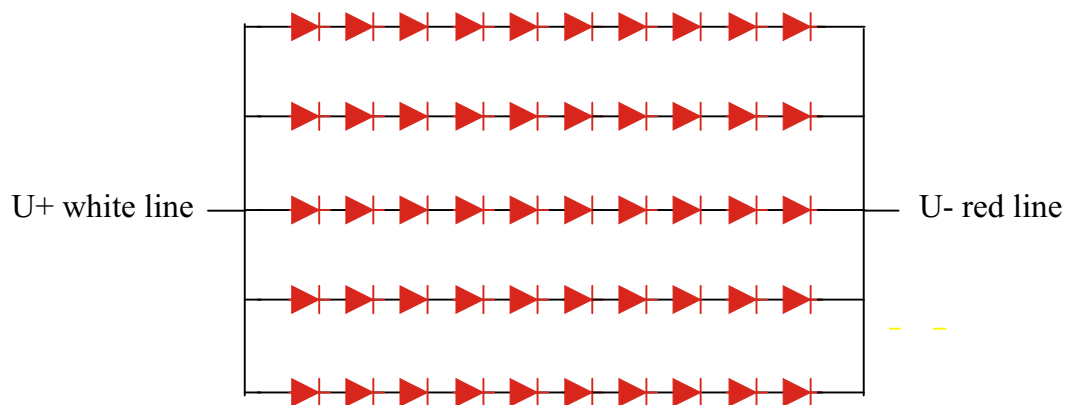


NFCL-R52AUY Single Color Outdoor Lamp Cluster

PACKAGE DIMENSION



INTERNAL CIRCUIT DIAGRAM



Tolerance $\pm 0.25\text{mm}$ unless stated