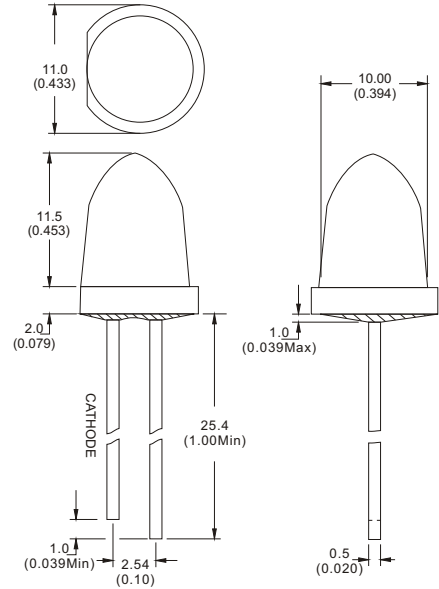




### ● Features:

- 1. Chip material: AlGaInP/GaAs
- 2. Emitting color: Ultra Orange
- 3. Lens Appearance: Water Clear
- 4. Long life-solid state reliability
- 5. IC compatible/Low current capability
- 6. RoHS compliant

### ● Package dimensions



### Notes:

- 1. All dimensions are in millimeters (inches).
- 2. Tolerance is  $\pm 0.25\text{mm}$  ( $0.01''$ ) unless otherwise specified.
- 3. An epoxy meniscus may extend about 1.0mm down to the lead.
- 4. Specifications are subject to change without notice.

### ● Absolute maximum ratings ( $T_a=25^\circ\text{C}$ )

| Characteristic             | Test Condition                     | Symbol    | UE         | Units            |
|----------------------------|------------------------------------|-----------|------------|------------------|
| Pulse Forward Current      | 1/10 duty cycle 0.1ms Pulse width  | $I_{FP}$  | 100        | mA               |
| DC Forward Current         |                                    | $I_F$     | 30         | mA               |
| Reverse Current            | $V_R=5V$                           | $I_R$     | 10         | $\mu A$          |
| Power Dissipation          |                                    | $P_D$     | 65         | mW               |
| Operating Temperature      |                                    | $T_{OPR}$ | -40 to +80 | $^\circ\text{C}$ |
| Storage Temperature        |                                    | $T_{STG}$ | -40 to +85 | $^\circ\text{C}$ |
| Lead Soldering Temperature | 1.60mm from body maximum 3 seconds | $T_{SOL}$ | 260        | $^\circ\text{C}$ |



### ● Electrical And Optical Characteristics(Ta=25°C)

| Parameter                | Test Condition     | Symbol         | Min.  | Typ.  | Max. | Units |
|--------------------------|--------------------|----------------|-------|-------|------|-------|
| Forward Voltage          | IF=20mA            | V <sub>F</sub> | ---   | 2.00  | ---  | V     |
| Reverse Current          | V <sub>R</sub> =5V | I <sub>R</sub> | ---   | ---   | 10   | μA    |
| Peak Wavelength          | IF=20mA            | λ <sub>p</sub> | 627   | 632   | 637  | nm    |
| Dominant Wavelength      | IF=20mA            | λ <sub>D</sub> | 619   | 624   | 629  | nm    |
| Spectral Line Half-width | IF=20mA            | Δλ             | ---   | 20    | ---  | nm    |
| Luminous Intensity       | IF=20mA            | I <sub>v</sub> | 10000 | 28000 | ---  | mcd   |
| Viewing Angle            | IF=20mA            | 2θ½            | ---   | 5     | ---  | deg.  |

### ● Typical electro-optical characteristics curves

