



0.56"(14.20mm)Four Digit 7 Segment Display

Features:

- *Ultra segment intensity
- *Wide viewing angle
- *Range of colors
- *Black face Red segment
- *RoHS compliant

Available option:

- *Alternative face and segment color
- *Alternative font
- *Cropped terminal pins
- *Available emitting color
- *Low current version

Electro/Optical Characteristics If=20mA Ta=25°C

Part Number Common Cathode	Part Number Common Anode	Emitting Color	Peak Wavelength	Forward Voltage Vf/Seg.		Luminous Intensity Iv/seg.	
				Typ.	Max.	Min.	Typ.
NFD-5641AUHRb-12	NFD-5641BUHRb-12	AlGaInP/GaAs Ultra Red	640	2.00	2.50	40.00	60.00
Units			nm	V		mcd	

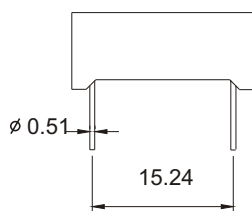
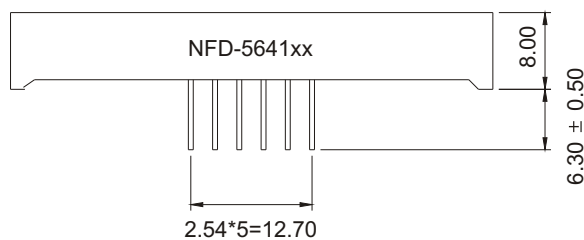
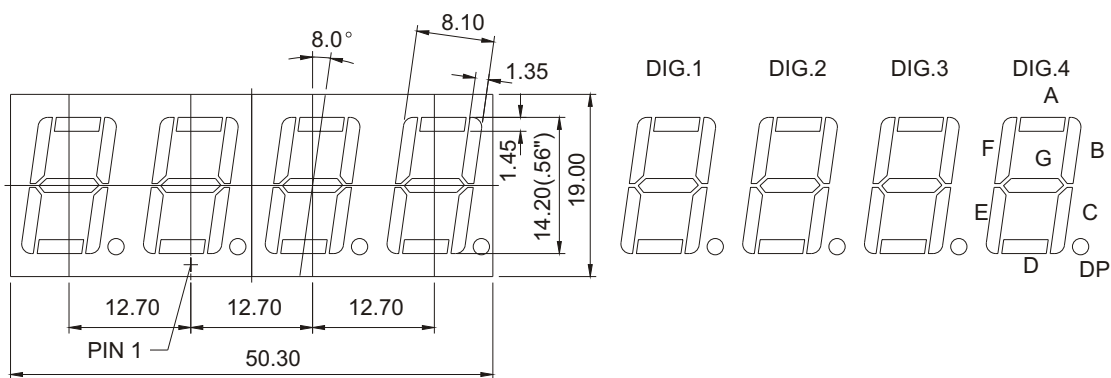
Maximum Ratings Ta=25°C (Derate above 25°C)

Characteristic	Test Condition	Symbol	UHR							Units
Pulse Forward Current Per Seg.	1/10 duty cycle 0.1ms Pulse width	I _{FP}	80							mA
DC Forward Current Per Seg.		I _F	25							mA
Reverse Current Per Seg.	V _R =5V	I _R	10							μA
Power Dissipation		P _D	65*32							mW
Operating Temperature		T _{OPR}								-40 to +80 °C
Storage Temperature		T _{TSG}								-40 to +85 °C
Lead soldering temperature	1.60mm from body maximum 3 seconds									260 °C



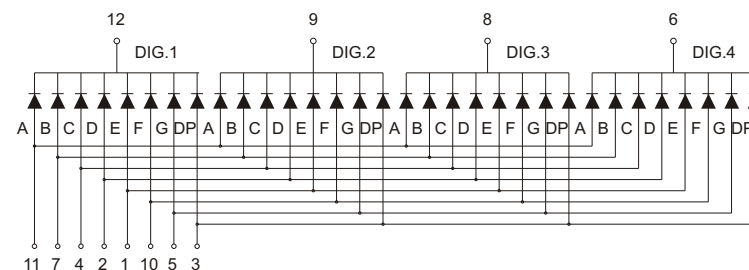
0.56"(14.20mm)Four Digit 7 Segment Display

PACKAGE DIMENSION

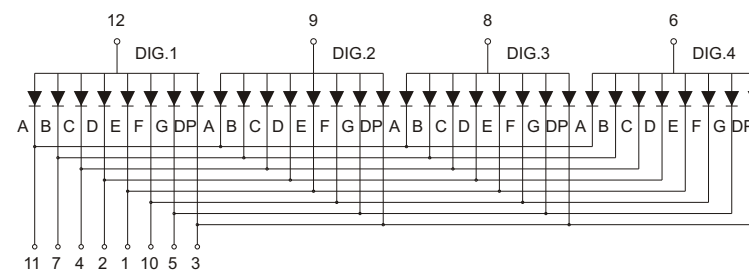


INTERNAL CIRCUIT DIAGRAM

Common Cathode
NFD-5641Ax



Common Anode
NFD-5641Bx



Tolerance $\pm 0.25\text{mm}$ unless stated