



0.39"(10.00mm)Four Digit 7 Segment Display

Features:

- *Ultra segment intensity
- *Wide viewing angle
- *Range of colors
- *Gray face White segment
- *RoHS compliant

Available option:

- *Alternative face and segment color
- *Alternative font
- *Cropped terminal pins
- *Available emitting color
- *Low current version

Electro/Optical Characteristics If=20mA Ta=25°C

Part Number Common Cathode	Part Number Common Anode	Emitting Color	Peak Wavelength	Forward Voltage Vf/Seg.		Luminous Intensity Iv/seg.	
				Typ.	Max.	Min.	Typ.
NFD-3943AUHRb-11	NFD-3943BUHRb-11	AlGaInP/GaAs Ultra Red	640	2.00	2.50	30.00	50.00
NFD-3943AUEb-11	NFD-3943BUEb-11	AlGaInP/GaAs Ultra Orange	632	2.00	2.50	30.00	50.00
NFD-3943AYOb-11	NFD-3943BYOb-11	AlGaInP/GaAs Ultra Amber	605	2.00	2.50	30.00	50.00
NFD-3943AUYb-11	NFD-3943BUYb-11	AlGaInP/GaAs Ultra Yellow	590	2.00	2.50	30.00	50.00
NFD-3943AUGb-11	NFD-3943BUGb-11	AlGaInP/GaAs Ultra Green	574	2.10	2.50	20.00	30.00
Units			nm	V		mcd	

Maximum Ratings Ta=25°C (Derate above 25°C)

Characteristic	Test Condition	Symbol	UHR	UE	YO	UY	UG			Units	
Pulse Forward Current Per Seg.	1/10 duty cycle 0.1ms Pulse width	I _{FP}	80	80	80	80	80			mA	
DC Forward Current Per Seg.		I _F	25	25	25	25	25			mA	
Reverse Current Per Seg.	V _R =5V	I _R	10	10	10	10	10			μA	
Power Dissipation		P _D	60*35	65*35	65*35	65*35	75*35			mW	
Operating Temperature		T _{OPR}	-40 to +80								°C
Storage Temperature		T _{TSG}	-40 to +85								°C
Lead soldering temperature	1.60mm from body maximum 3 seconds		260								°C

Checked

Chen N.H.

Approved

Jason Chen

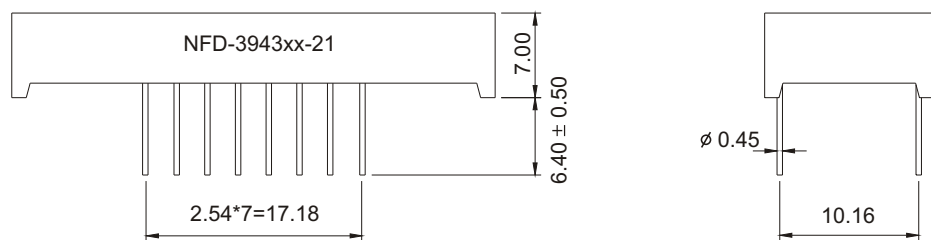
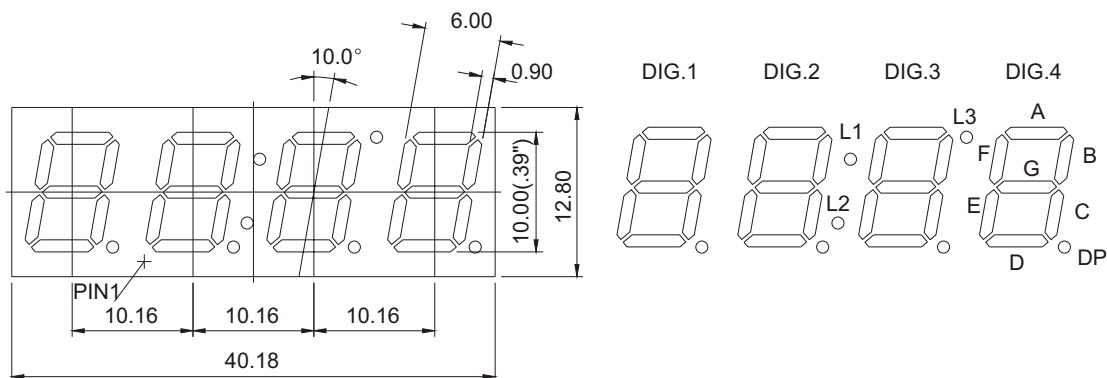
Date

Mar/22/2007



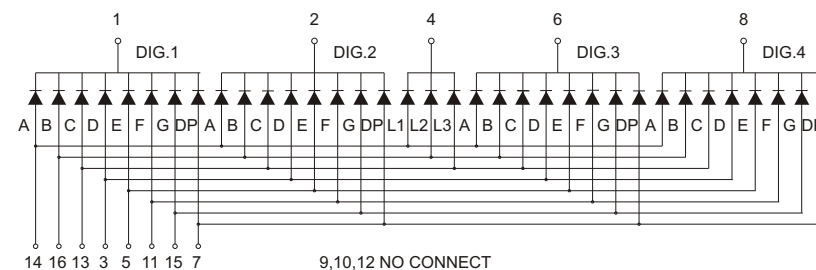
0.39"(10.00mm)Four Digit 7 Segment Display

PACKAGE DIMENSION

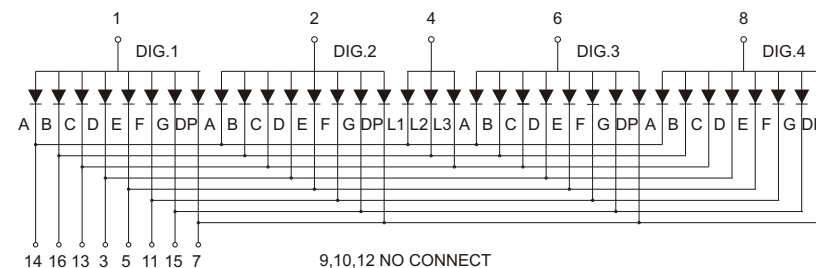


INTERNAL CIRCUIT DIAGRAM

Common Cathode NFD-3943Ax



Common Anode NFD-3943Bx



Tolerance ±0.25mm unless stated

Checked	Chen N.H.	Approved	Jason Chen	Date	Mar/22/2007	PAGE 2 /2
---------	-----------	----------	------------	------	-------------	-----------