



0.36"(9.20mm)Four Digit 7 Segment Display

Features:

- *High segment intensity
- *Wide viewing angle
- *Range of colors
- *Gray face White segment
- *RoHS compliant

Available option:

- *Alternative face and segment color
- *Alternative font
- *Cropped terminal pins
- *Available emitting color
- *Low current version

Electro/Optical Characteristics If=20mA Ta=25°C

Part Number Common Cathode	Part Number Common Anode	Emitting Color	Peak Wavelength	Forward Voltage V _F /Seg.		Luminous Intensity I _v /seg.	
				Typ.	Max.	Min.	Typ.
NFD-3641AUBc-21	NFD-3641BUBc-21	InGaN/SiC Ultra Blue	470	3.50	4.00	40.00	60.00
NFD-3641AUBf-21	NFD-3641BUBf-21	InGaN Ultra Blue	470	3.30	3.80	40.00	100.00
Units			nm	V		mcd	

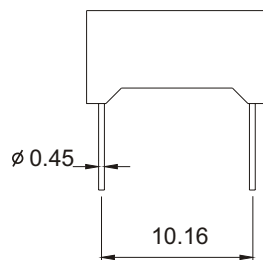
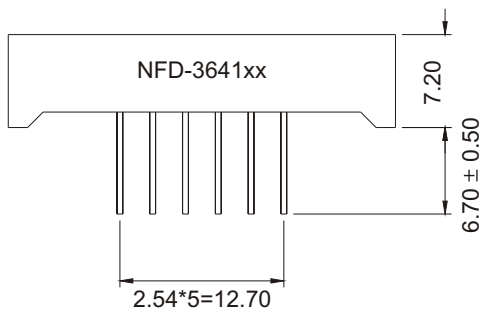
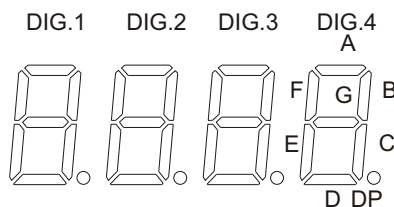
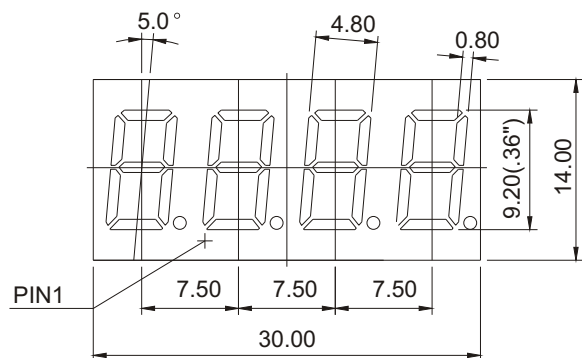
Maximum Ratings Ta=25°C (Derate above 25°C)

Characteristic	Test Condition	Symbol	U B c	U B f				Units
Pulse Forward Current Per Seg.	1/10 duty cycle 0.1ms Pulse width	I _{FP}	100	100				mA
DC Forward Current Per Seg.		I _F	30	25				mA
Reverse Current Per Seg.	V _R =5V	I _R	10	10				μA
Power Dissipation		P _D	120*32	120*32				mW
Operating Temperature		T _{OPR}					-40 to +80	°C
Storage Temperature		T _{TSG}					-40 to +85	°C
Lead soldering temperature	1.60mm from body maximum 3 seconds						260	°C



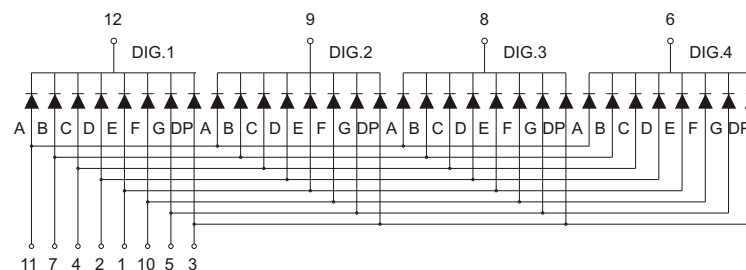
0.36"(9.20mm)Four Digit 7 Segment Display

PACKAGE DIMENSION

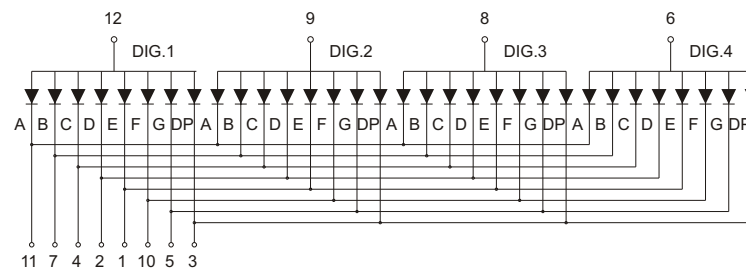


INTERNAL CIRCUIT DIAGRAM

Common Cathode NFD-3641Ax



Common Anode NFD-3641Bx



Tolerance ± 0.25 mm unless stated