



0.30"(7.60mm)Four Digit 7 Segment Display

Features:

- *Ultra segment intensity
- *Wide viewing angle
- *Range of colors
- *Black face White segment
- *RoHS compliant

Available option:

- *Alternative face and segment color
- *Alternative font
- *Cropped terminal pins
- *Available emitting color
- *Low current version

Electro/Optical Characteristics If=20mA Ta=25°C

Part Number Common Cathode	Part Number Common Anode	Emitting Color	Peak Wavelength	Forward Voltage Vf/Seg.		Luminous Intensity Iv/seg.	
				Typ.	Max.	Min.	Typ.
NFD-3041AUGb31-11	NFD-3041BUGb31-11	AlGaInP/GaAs Ultra Green	574	2.10	2.50	25.00	40.00
Units			nm	V		mcd	

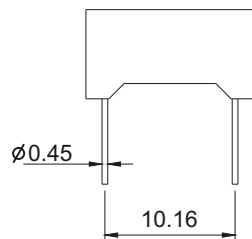
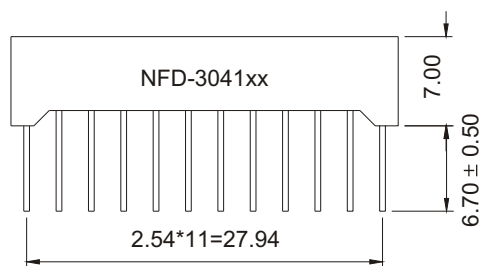
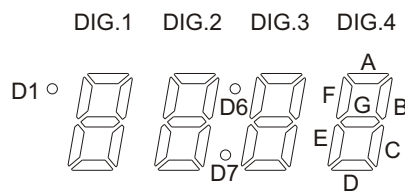
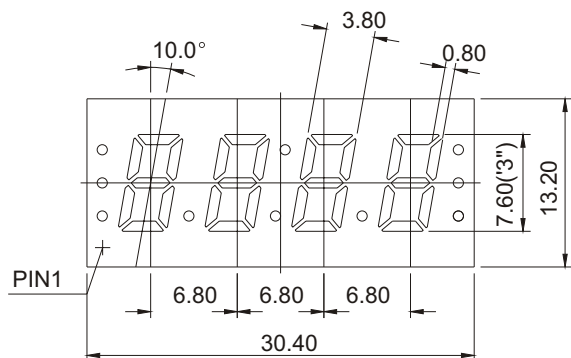
Maximum Ratings Ta=25°C (Derate above 25°C)

Characteristic	Test Condition	Symbol	UG							Units
Pulse Forward Current Per Seg.	1/10 duty cycle 0.1ms Pulse width	I _{FP}	80							mA
DC Forward Current Per Seg.		I _F	25							mA
Reverse Current Per Seg.	V _R =5V	I _R	10							µA
Power Dissipation		P _D	60*31							mW
Operating Temperature		T _{OPR}		-40 to +80						°C
Storage Temperature		T _{TSG}		-40 to +85						°C
Lead soldering temperature	1.60mm from body maximum 3 seconds			260						°C



0.30"(7.60mm)Four Digit 7 Segment Display

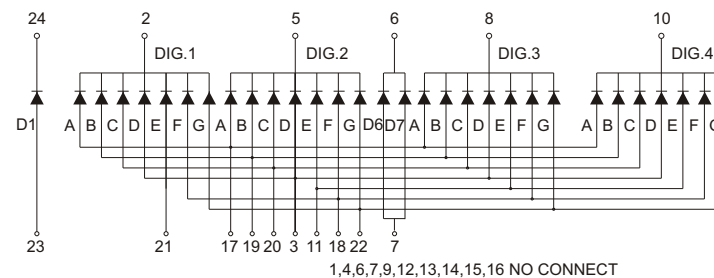
PACKAGE DIMENSION



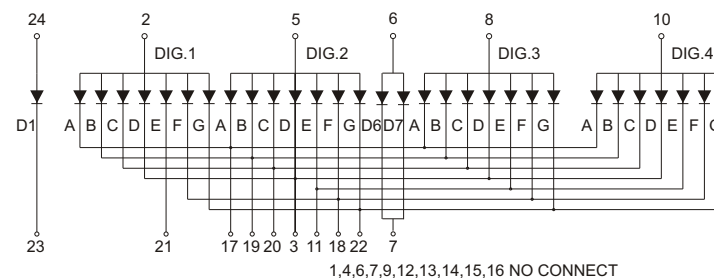
Tolerance $\pm 0.25\text{mm}$ unless stated

INTERNAL CIRCUIT DIAGRAM

Common Cathode NFD-3041Ax



Common Anode NFD-3041Bx





宁波飞扬电子有限公司
Ningbo Flying Electronics Co.,Ltd.

<http://www.nb-flying.com>
e-mail: flying@nb-flying.com
TEL: +86-574-88136626
FAX: +86-574-88136627

NFD-3041BUGb31-11 材料规格表

材料名称	材料特性	材料产地
塑壳	改性PPO塑料	杭州威利广公司
PCB	0.8H/H FL-4	杭州联合公司
PIN	Cu/Fe/Sn	杭州威利广公司
表面油墨	黑色油墨	江门TOYO公司
封装材料	环氧树脂700A/B	厦门惠利泰公司
发光芯片	AlGaInP	台湾晶元公司
银胶	Ag、粘着剂	日本AMICON公司
铝线	Al	美国CCC公司