



0.80"(20.40mm)Three Digit 7 Segment Display

Features:

- *Ultra segment intensity
- *Wide viewing angle
- *Range of colors
- *Black face White segment
- *RoHS compliant

Available option:

- *Alternative face and segment color
- *Alternative font
- *Cropped terminal pins
- *Available emitting color

Electro/Optical Characteristics If=20mA Ta=25°C

Part Number Common Cathode	Part Number Common Anode	Emitting Color	Peak Wavelength	Forward Voltage Vf/Seg.		Luminous Intensity Iv/Seg.	
				Typ.	Max.	Min.	Typ.
NFD-8032AUHRb-11	NFD-8032BUHRb-11	AlGaInP/GaAs Ultra Red	640	2.00	2.50	30.00	50.00
NFD-8032AUEb-11	NFD-8032BUEb-11	AlGaInP/GaAs Ultra Orange	632	2.00	2.50	30.00	50.00
NFD-8032AYOb-11	NFD-8032BYOb-11	AlGaInP/GaAs Ultra Amber	605	2.00	2.50	30.00	50.00
NFD-8032AUYb-11	NFD-8032BUYb-11	AlGaInP/GaAs Ultra Yellow	590	2.00	2.50	30.00	50.00
NFD-8032AUGb-11	NFD-8032BUGb-11	AlGaInP/GaAs Ultra Green	574	2.10	2.50	20.00	30.00
Units			nm	V		mcd	

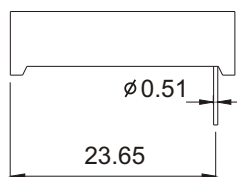
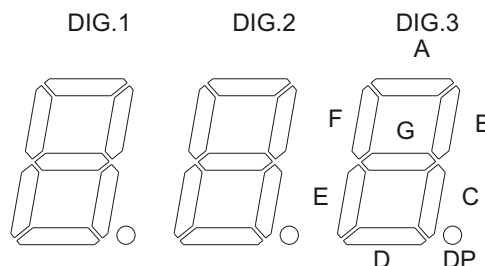
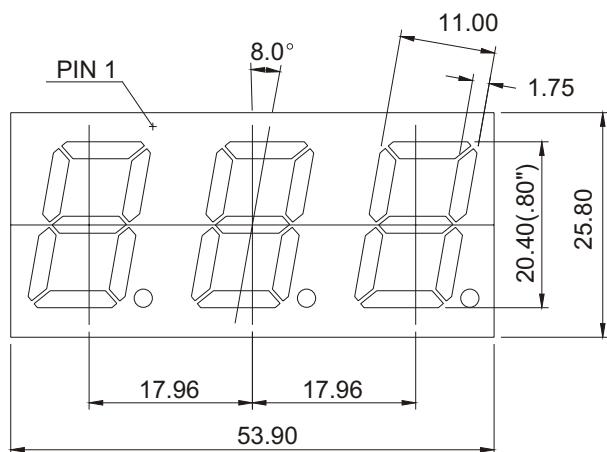
Maximum Ratings Ta=25°C (Derate above 25°C)

Characteristic	Test Condition	Symbol	UHR	UE	YO	UY	UG			Units	
Pulse Forward Current Per Seg.	1/10 duty cycle 0.1ms Pulse width	I _{FP}	80	80	80	80	80			mA	
DC Forward Current Per Seg.		I _F	25	25	25	25	25			mA	
Reverse Current Per Seg.	V _R =5V	I _R	10	10	10	10	10			μA	
Power Dissipation		P _D	60*24	65*24	65*24	65*24	75*24			mW	
Operating Temperature		T _{OPR}	-40 to +80								°C
Storage Temperature		T _{TSG}	-40 to +85								°C
Lead soldering temperature	1.60mm from body maximum 3 seconds		260								°C



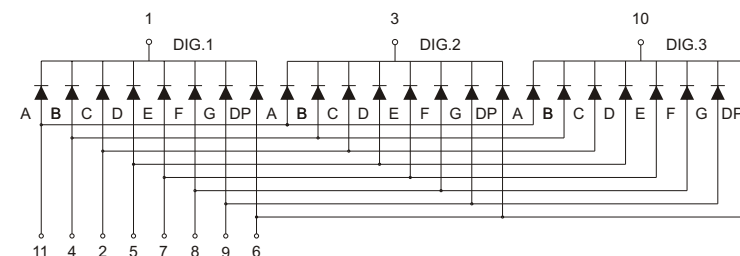
0.80"(20.40mm)Three Digit 7 Segment Display

PACKAGE DIMENSION

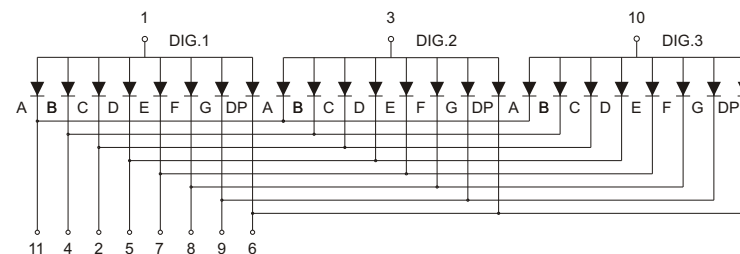


INTERNAL CIRCUIT DIAGRAM

Common Cathode NFD-8032Ax



Common Anode NFD-8032Bx



Tolerance $\pm 0.25\text{mm}$ unless stated