



## 4.00"(101.60mm)Dual Digit 7 Segment Display

### Features:

- \*High segment intensity
- \*Wide viewing angle
- \*Range of colors
- \*Gray face White segment
- \*RoHS compliant

### Available option:

- \*Available emitting color
- \*Available Segment color
- \*Low current version

### Electro/Optical Characteristics If=20mA Ta=25°C

Part Number Common Cathode	Part Number Common Anode	Emitting Color	Peak Wavelength	Forward Voltage V <sub>F</sub> /Seg.(DP)		Luminous Intensity I <sub>v</sub> /seg.(DP)	
				Typ.	Max.	Min.	Typ.
	NFD-40021BUB-21-N2	InGaN/SiC Ultra Blue	470	14.00(7.00)	16.00(8.00)	320.00(80.00)	480.00(120.00)
	NFD-40021BS-21-N2	GaAlAs/GaAs SH Hi-Red	660	7.20(3.60)	8.80(4.40)	64.00(16.00)	96.00(24.00)
	NFD-40021BD-21-N2	GaAlAs/GaAs DH Super Red	660	7.20(3.60)	8.80(4.40)	176.00(44.00)	224.00(56.00)
	NFD-40021BE-21-N2	GaAsP/GaP Orange	632	8.40(4.20)	10.00(5.00)	64.00(16.00)	96.00(24.00)
	NFD-40021BY-21-N2	GaAsP/GaP Yellow	585	8.40(4.20)	10.00(5.00)	32.00(8.00)	56.00(14.00)
	NFD-40021BG-21-N2	GaP/GaP Green	568	8.80(4.40)	10.00(5.00)	56.00(14.00)	88.00(22.00)
Units			nm	V		mcd	

### Maximum Ratings Ta=25°C (Derate above 25°C)

Characteristic	Test Condition	Symbol	UB	S	D	E	Y	G	Units
Pulse Forward Current Per Seg.	1/10 duty cycle 0.1ms Pulse width	I <sub>FP</sub>	100*2(100)	100*2(100)	100*2(100)	100*2(100)	100*2(100)	100*2(100)	mA
DC Forward Current Per Seg.		I <sub>F</sub>	30*2(30)	25*2(25)	25*2(25)	30*2(30)	30*2(30)	30*2(30)	mA
Reverse Current Per Seg.	V <sub>R</sub> =10V	I <sub>R</sub>	10	10	10	10	10	10	μA
Power Dissipation		P <sub>D</sub>	120*114	60*114	60*114	80*114	80*114	80*114	mW
Operating Temperature		T <sub>OPR</sub>	-40 to +80						°C
Storage Temperature		T <sub>TSG</sub>	-40 to +85						°C
Lead soldering temperature	1.60mm from body maximum 3 seconds		260						°C

Checked

Chen N.H.

Approved

Jason Chen

Date

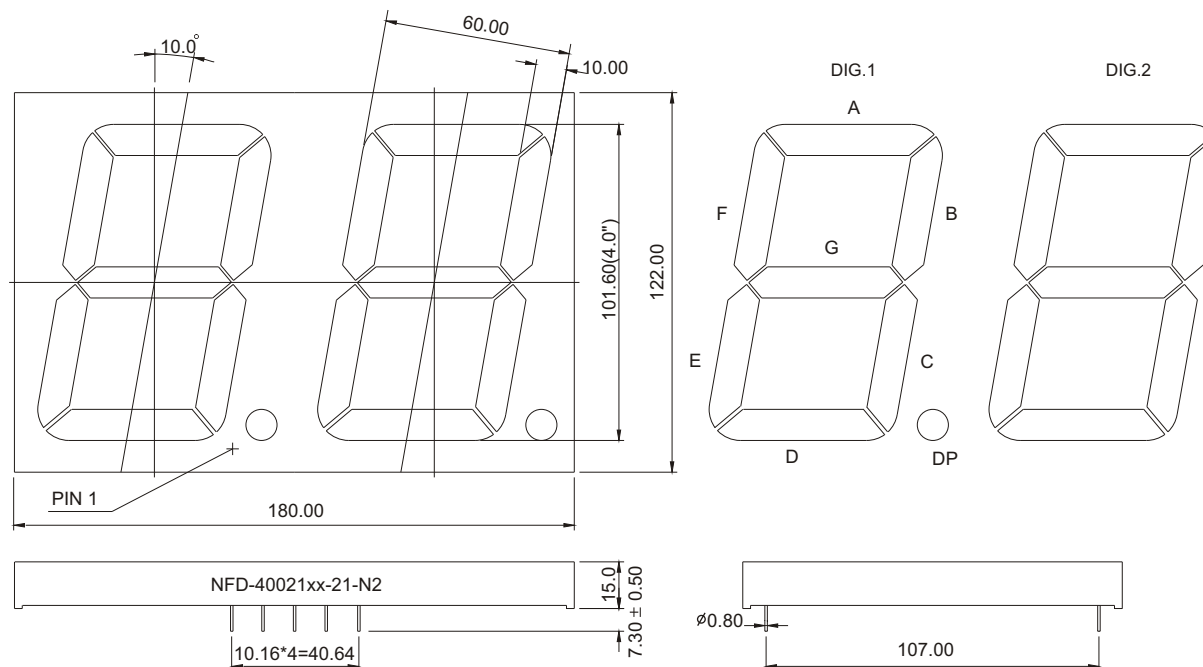
Feb/12/2007

PAGE 1 / 2



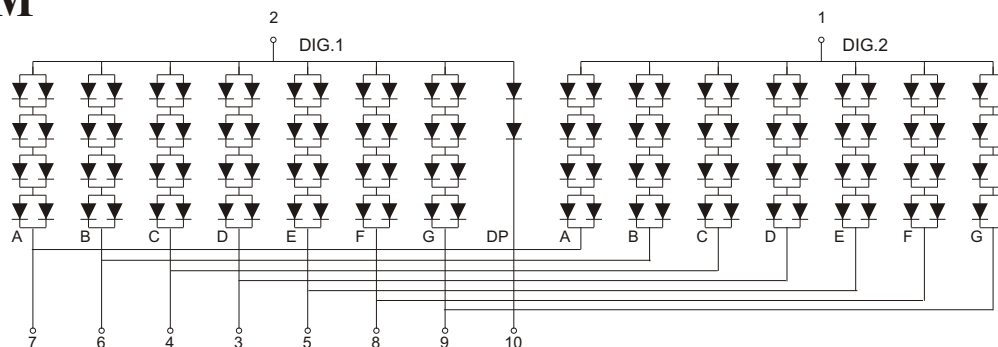
## 4.00"(101.60mm)Dual Digit 7 Segment Display

### PACKAGE DIMENSION



### INTERNAL CIRCUIT DIAGRAM

Common Anode  
NFD-40021Bx-N2



Tolerance  $\pm 0.25\text{mm}$  unless stated