



1.50"(38.10mm)Dual Digit 7 Segment With Arrow Special Design Display

Features:

- *Ultra segment intensity
- *Wide viewing angle
- *Range of colors
- *Black face White segment
- *RoHS compliant

Available option:

- *Alternative face and segment colour
- *Cropped terminal pins
- *Available emitting colour
- *Low current version

Electro/Optical Characteristics If=20mA Ta=25°C

Part Number	Emitting Color	Peak Wavelength	Forward Voltage V _F /Seg.(DP)		Luminous Intensity I _v /Seg.(DP)	
			Typ.	Max.	Min.	Typ.
NFD-15022ZUHR-11	AlGaInP/GaAs Ultra Red	640	4.00	5.00	80.00	120.00
NFD-15022ZUE-11	AlGaInP/GaAs Ultra Orange	632	4.00	5.00	80.00	120.00
NFD-15022ZYO-11	AlGaInP/GaAs Ultra Amber	605	4.00	5.00	80.00	120.00
NFD-15022ZUY-11	AlGaInP/GaAs Ultra Yellow	590	4.00	5.00	80.00	120.00
NFD-15022ZUG-11	AlGaInP/GaAs Ultra Green	574	4.20	5.00	50.00	80.00
NFD-15022ZPG-11	InGaN/SiC Pure Green	525	6.60	7.60	300.00	400.00
NFD-15022ZUB-11	InGaN/SiC Ultra Blue	470	6.60	7.60	80.00	200.00
NFD-15022ZUW-11	InGaN/SiC Ultra White	X-0.31/Y-0.31	6.60	7.60	400.00	1000.00
Units		nm	V		mcd	

Maximum Ratings Ta=25°C (Derate above 25°C)

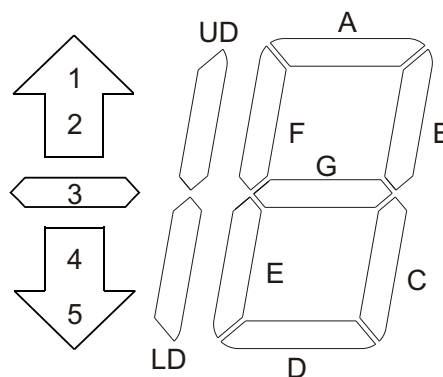
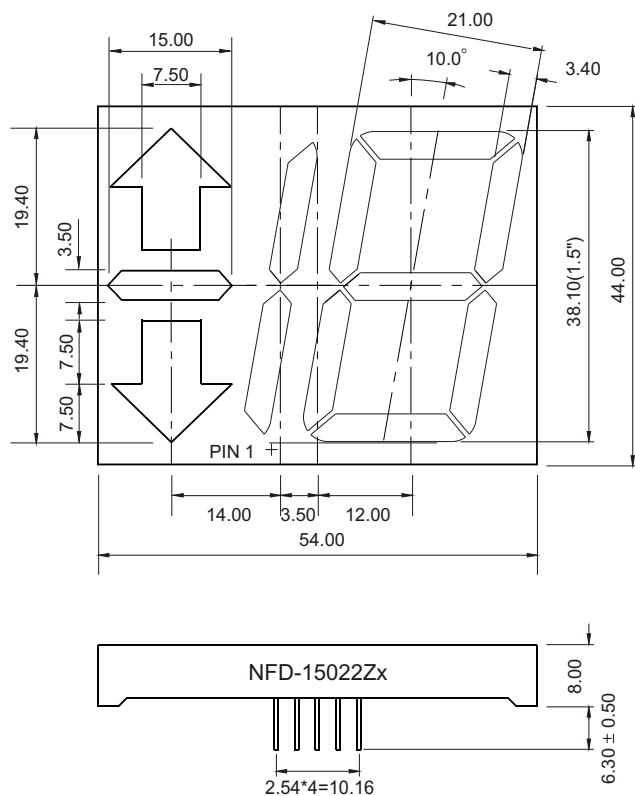
Characteristic	Test Condition	Symbol	UHR	UE	YO	UY	UG	PG	UB	UW	Units
Pulse Forward Current Per Seg.	1/10 duty cycle 0.1ms Pulse width	I _{FP}	100	100	100	100	100	100	100	100	mA
DC Forward Current Per Seg.		I _F	30	30	30	30	30	30	30	30	mA
Reverse Current Per Seg.	V _R =10V	I _R	10	10	10	10	10	10	10	10	μA
Power Dissipation		P _D	65*28	65*28	65*28	65*28	75*28	110*28	120*28	120*28	mW
Operating Temperature		T _{OPR}	-40 to +80								°C
Storage Temperature		T _{TSG}	-40 to +85								°C
Lead soldering temperature	1.60mm from body maximum 3 seconds		260								°C

Checked	Chen N.H.	Approved	Jason Chen	Date	Feb/09/2009	PAGE 1 / 2
---------	-----------	----------	------------	------	-------------	------------



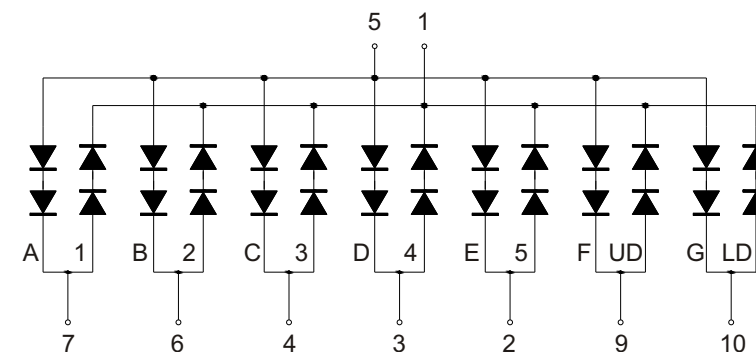
1.50"(38.10mm)Dual Digit 7 Segment With Arrow Special Design Display

PACKAGE DIMENSION



INTERNAL CIRCUIT DIAGRAM

NFD-15022Zx



8 NO CONNECT

Tolerance $\pm 0.25\text{mm}$ unless stated

Checked

Chen N.H.

Approved

Jason Chen

Date

Feb/09/2009

PAGE 2 /2